

Job Name: 25-1137B - East Bank Regional Pump Station

Job Location: Nashville, TN

Contractor: Garney Companies, Inc.

PC: J. Jarvis

TECH: J. Coppage

Plant: Beaver Dam



Structure ID: MH-008 12+92

Spec: Sanitary-Xypex
Type: Manhole
Size: 48"

Rim: 421.39'
Invert: 407.99'
Rim to Invert: 13.4'

Sump: 3"
Floor (Top): 407.74'
Floor Height: 6"

Floor (Bot): 407.24'
Overall Height: 14.083'
Slack: 0.8"

Structure Notes:

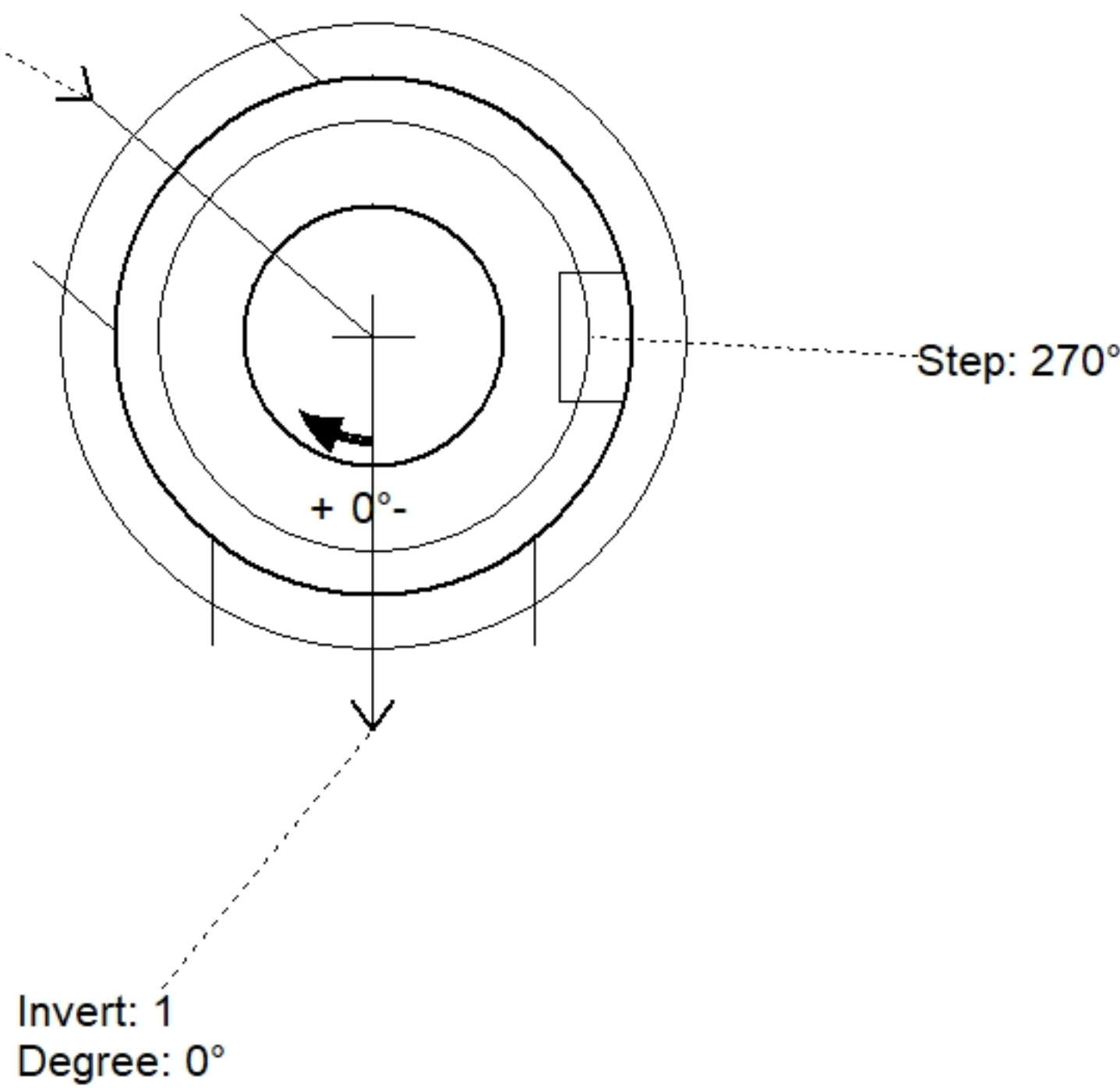
1. JBS-1150 METRO SANITARY BY ICAST.
2. PER ASTM C478 SPECIFICATIONS.
3. CONCRETE = 4,500 PSI AT 28 DAYS.
4. REINFORCING PER ASTM A615 (GRADE 60)
 - CONE (As .12)
 - RISER/WALLS (As .12)
 - FLOOR (As .31) #5 BARS AT 12" C.C.E.W.

NOTE: KOR-N-SEAL BOOTS SUPPLIED BY OTHERS

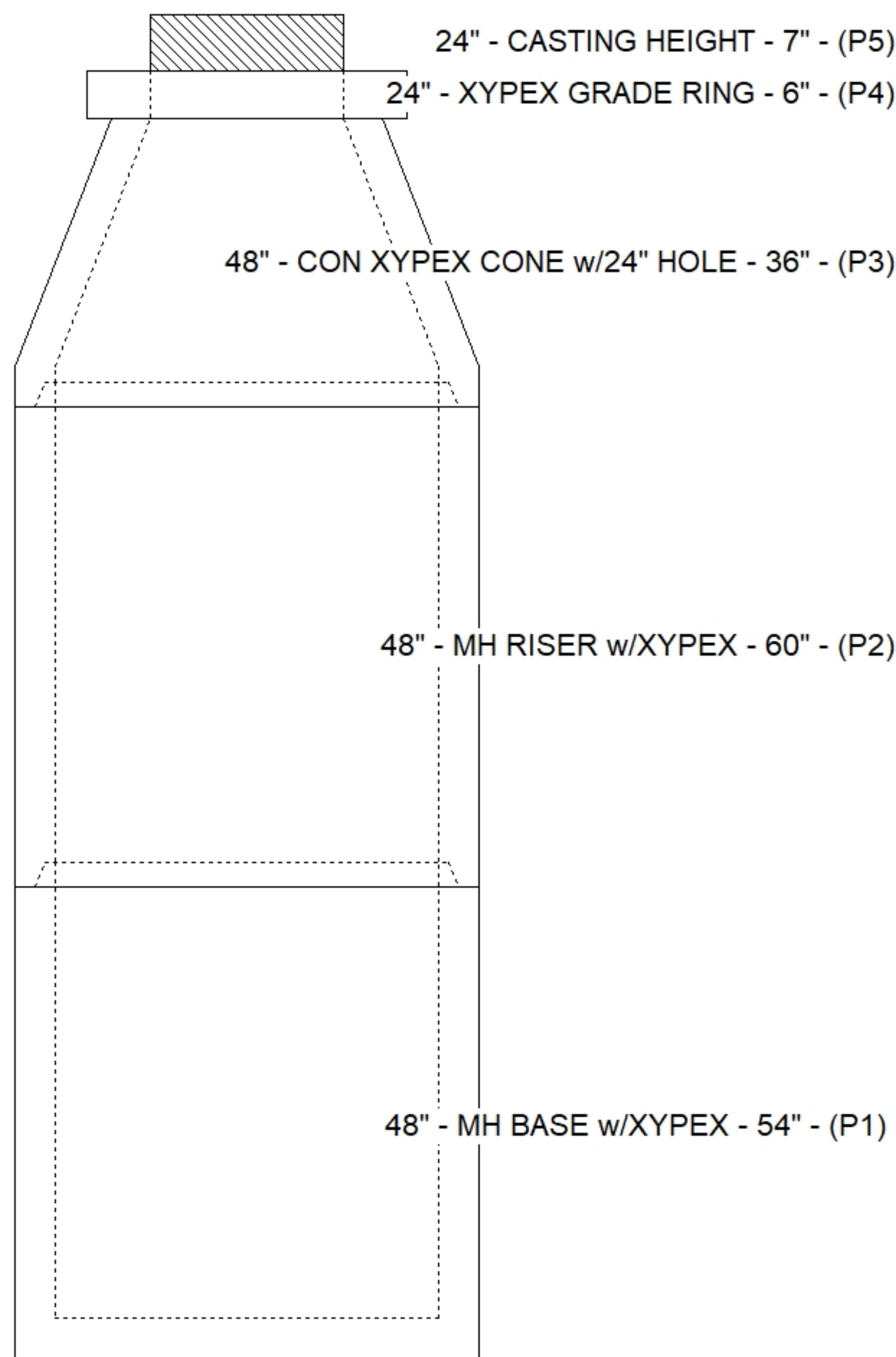
STRUCTURE SUMMARY:

P5) 24" - CASTING HEIGHT - 7"	0 lb
P4) 24" - XYPEX GRADE RING - 6"	405 lb
P3) 48" - CON XYPEX CONE w/24" HOLE - 36"	2251 lb
P2) 48" - MH RISER w/XYPEX - 60"	4192 lb
P1) 48" - MH BASE w/XYPEX - 54"	4471 lb
1) JOINT WRAP PRIMER - CONSEAL CS-75 (1 gal.)	0 lb
1) JOINT WRAP - 0.065"x6"x50' CONSEAL CS212	0 lb
1) 48" - SAN. INV. CHANNEL w/XYPEX - FULL HEIGHT	1440 lb
1) CASTING - JBS 1150 F/C SANITARY	250 lb
2) 48" - Conseal CS-102 1.00" (Double)	0 lb
2) Kor-N-Seal2 - S206-30	13 lb
Structure Total:	13021 lb

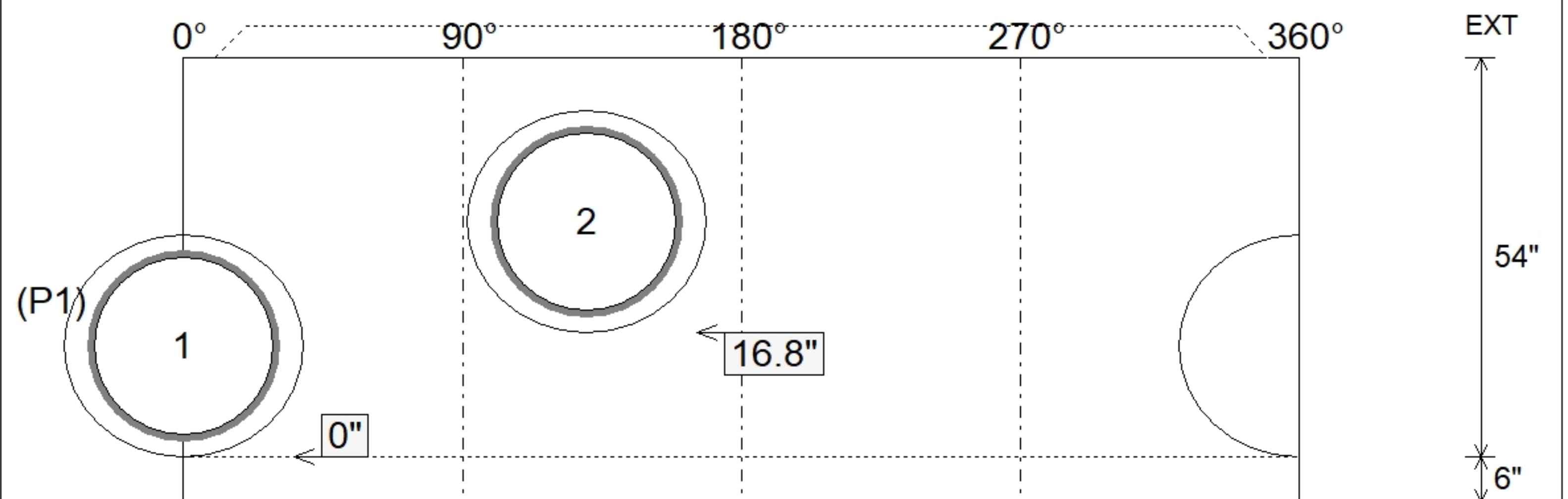
Invert: 2
Degree: 130°



Position	Elev	Angle	Pipe	Pipe OD	Hole	Connector	Up (")	Ref
Rim	421.39'							
Reducer								
Invert 1	407.99'	0°	24" DI	25.75"	30"	Kor-N-Seal2 S206-30	0"	P1
Invert 2	409.39'	130°	24" DI	25.75"	30"	Kor-N-Seal2 S206-30	16.8"	P1
Invert 3								
Invert 4								
Invert 5								
Invert 6								
Invert 7								
Invert 8								



Default - Interior Dimensions



Submittal Drawing
3/4/2026 9:55:32 AM

SUBMITTAL
APPROVED BY: