

Structure ID: MH-007 12+69

P1 MH048BA36X

MH BASE w/XYPEX

P6) 24" - CASTING HEIGHT - 7" P5) 24" - XYPEX GRADE RING - 6" P4) 48" - CON XYPEX CONE w/24" HOLE - 36" P3) 48" - MH RISER w/XYPEX - 36" P2) 48" - MH RISER w/XYPEX - 48" P1) 48" - MH BASE w/XYPEX - 36" 1) JOINT WRAP PRIMER - CONSEAL CS-75 (1 gal.) 1) JOINT WRAP - 0.065"x6"x50' CONSEAL CS212 1) 48" - SAN. INV. CHANNEL w/XYPEX - FULL HEIGHT 1) CASTING - JBS 1150 F/C SANITARY 3) 48" - Conseal CS-102 1.00" (Double) 2) Kor-N-Seal2 - S206-30	0 lb 405 lb 2251 lb 2515 lb 3353 lb 3213 lb 0 lb 0 lb 1440 lb 250 lb 0 lb 13 lb <hr/> Structure Total: 13440 lb
--	---

Structure Notes:

1. JBS-1150 METRO SANITARY BY ICAST.
2. PER ASTM C478 SPECIFICATIONS.
3. CONCRETE = 4,500 PSI AT 28 DAYS.
4. REINFORCING PER ASTM A615 (GRADE 60)
 - CONE (As .12)
 - RISER/WALLS (As .12)
 - FLOOR (As .31) #5 BARS AT 12" C.C.E.W.

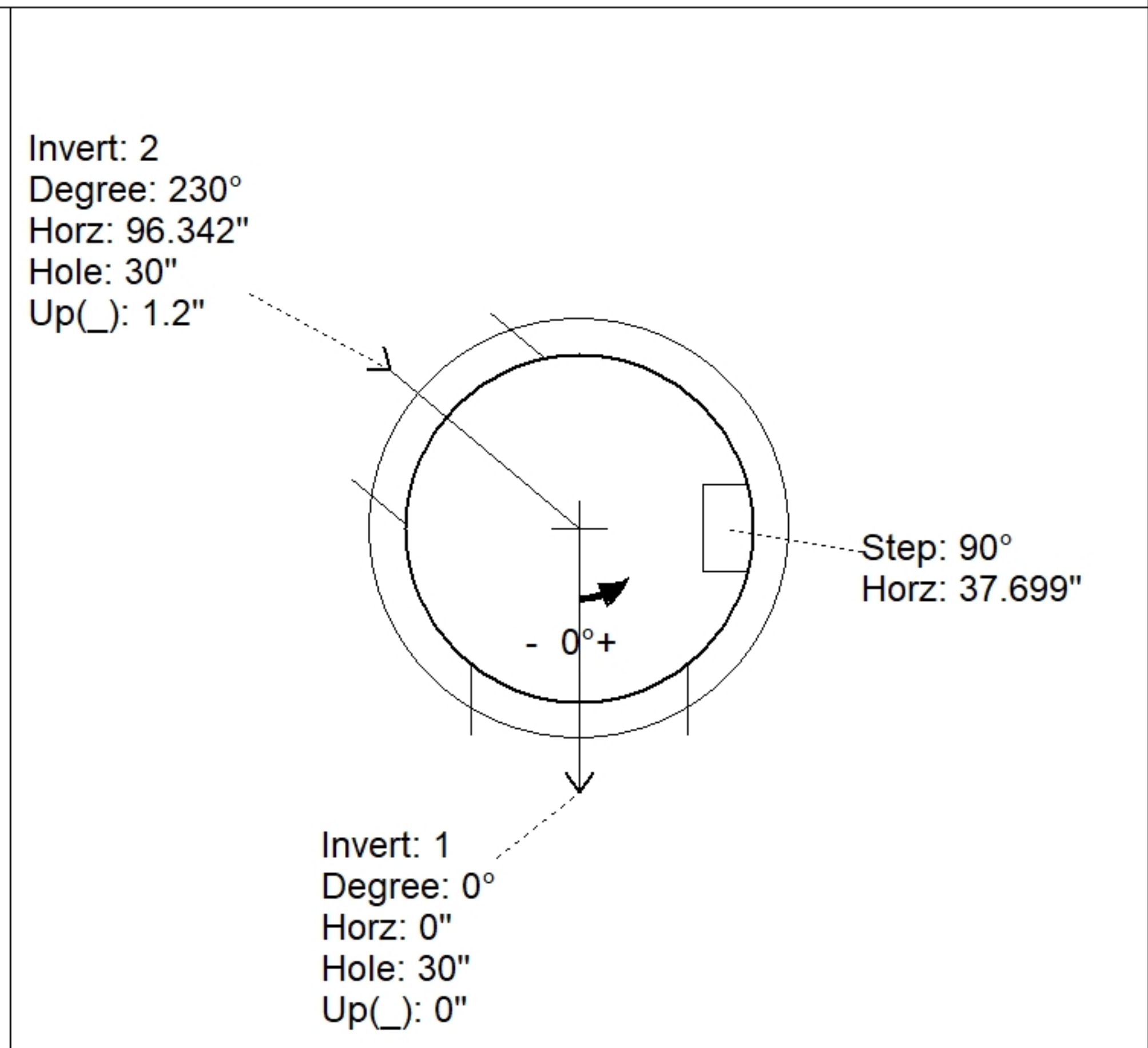
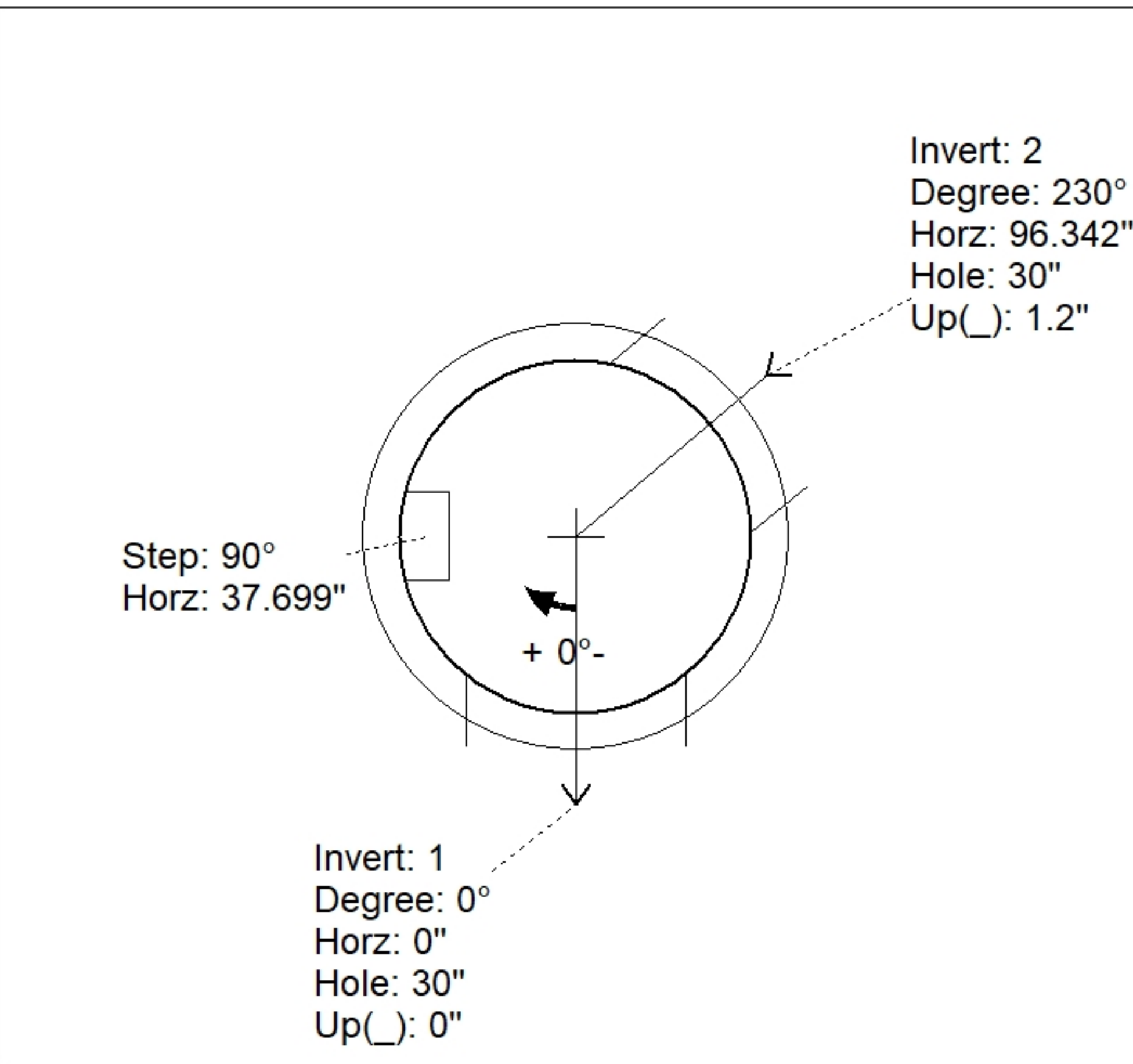
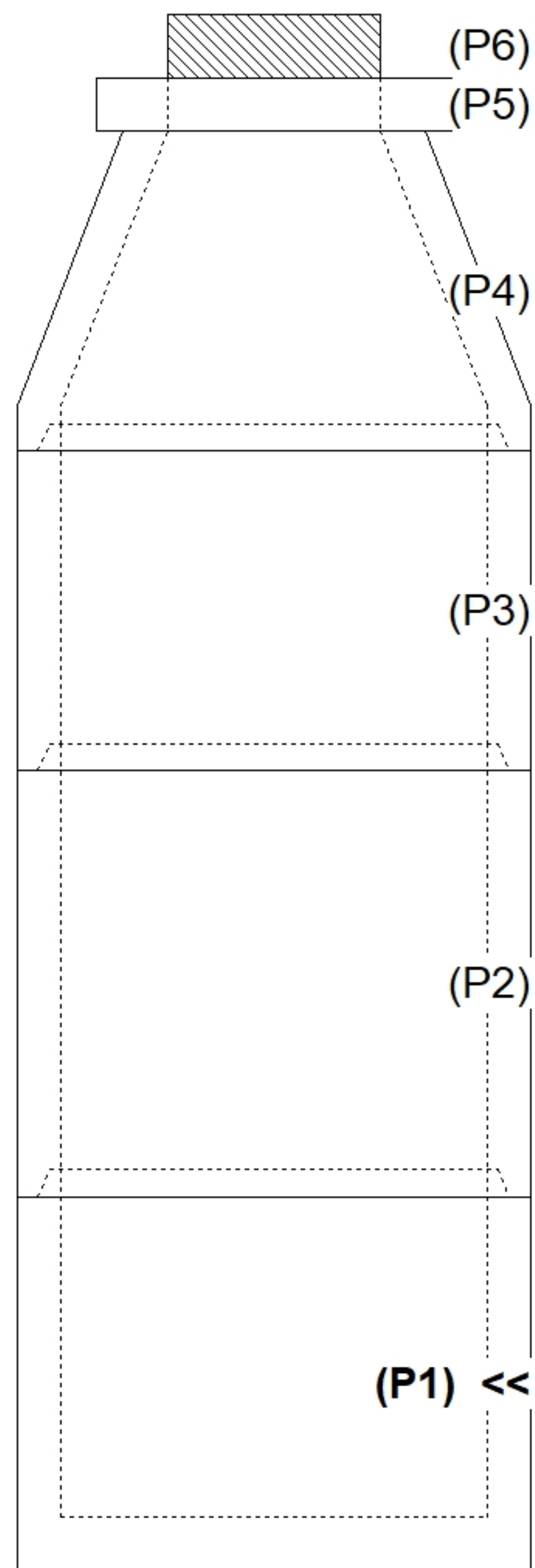
NOTE: KOR-N-SEAL BOOTS SUPPLIED BY OTHERS

Rim: 420.91' Rim to Invert: 14.07' Slack: 2.84" Sump: 3" Step Position: 90°

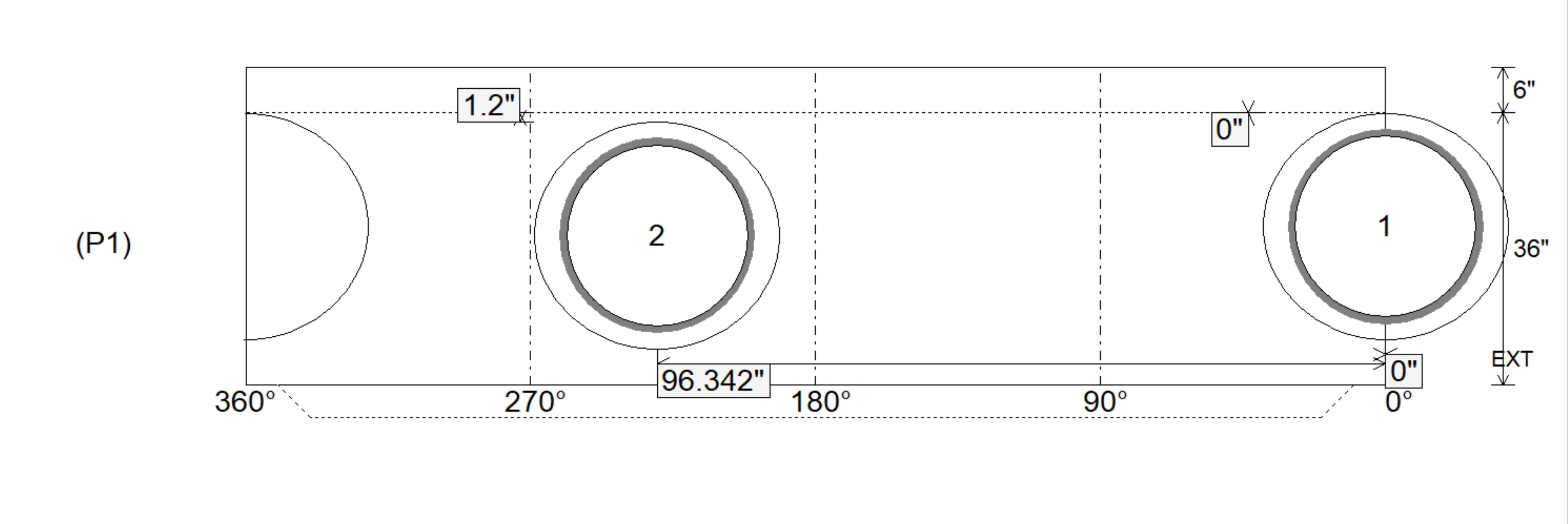
Position	Elev	Angle	Ext. (cw)	Pipe	Pipe OD	Connector	Hole	Horz Size	Up ()	Offset
Invert 1	406.84'	0°	0"	24" DI	25.75"	Kor-N-Seal2 S206-30	30"	32.406"	0"	0"
Invert 2	406.94'	230°	116.413"	24" DI	25.75"	Kor-N-Seal2 S206-30	30"	32.406"	1.2"	0"
Invert 3										
Invert 4										
Invert 5										
Invert 6										
Invert 7										
Invert 8										

RIGHT-SIDE UP VIEW (int. dimensions)

UPSIDE-DOWN VIEW (int. dimensions)



INSIDE WALL DIMENSIONS



Coating (Int): Coating (Ext):	Seam Up: Tongue Seam Dn: n/a	Wall Thickness: 5" Floor Height: 6"	Height (Int): 36" Height (Ext): 42"	Weight (Net): 3213 lb Volume (Net): 0.82cu.yd
----------------------------------	---------------------------------	--	--	--