

Job Name: 25-1137B - East Bank Regional Pump Station
Job Location: Nashville, TN
Contractor: Garney Companies, Inc.

PC: J. Jarvis
 TECH: J. Coppage
 Plant: Beaver Dam



Structure ID: **MH-005 8+45**
 Spec: Sanitary-Xypex
 Type: Manhole
 Size: 48"

Rim: 419.5'
 Invert: 403.09'
 Rim to Invert: 16.41'

Sump: 3"
 Floor (Top): 402.84'
 Floor Height: 6"

Floor (Bot): 402.34'
 Overall Height: 17'
 Slack: 1.92"

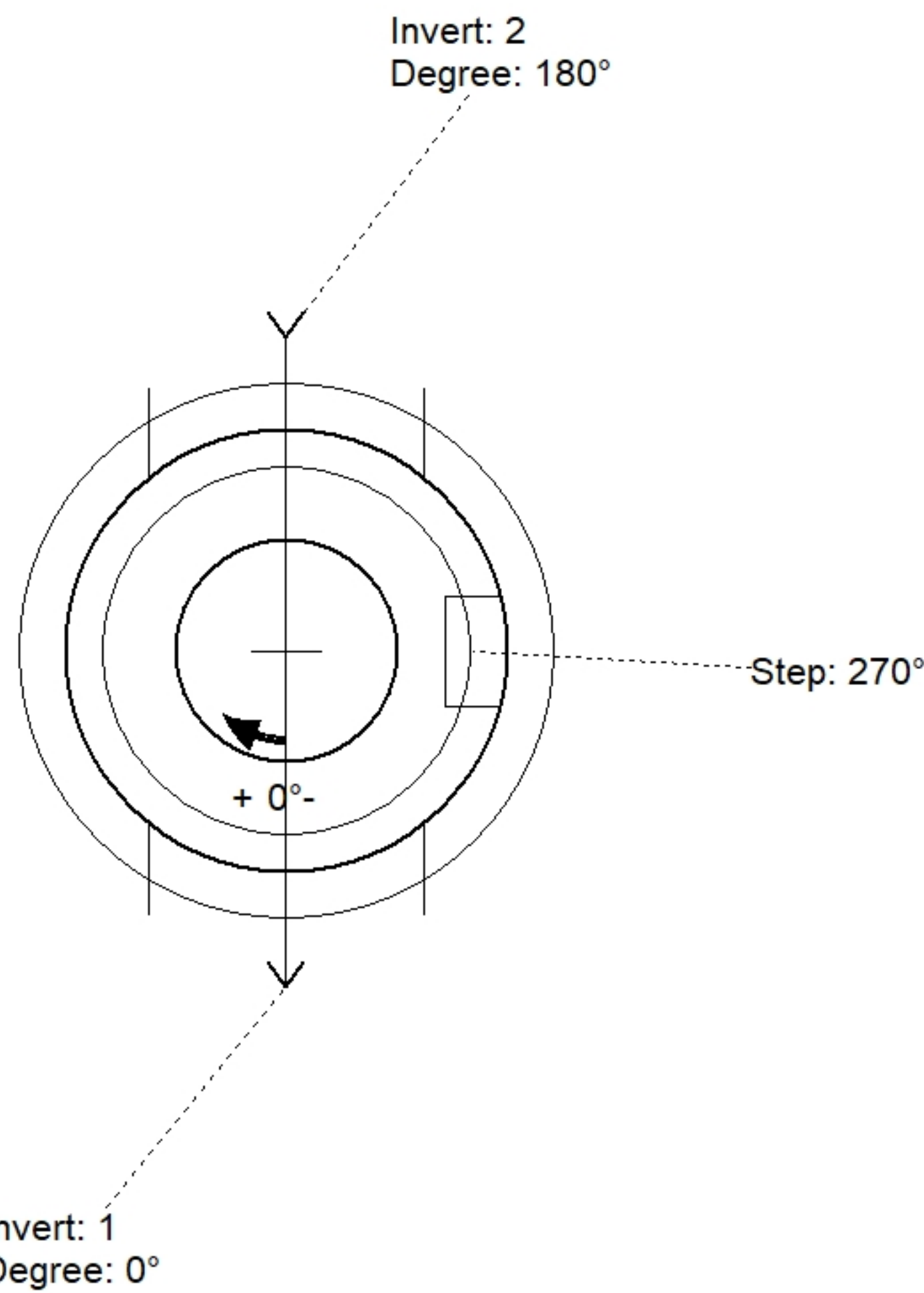
Structure Notes:

- JBS-1150 METRO SANITARY BY ICAST.
- PER ASTM C478 SPECIFICATIONS.
- CONCRETE = 4,500 PSI AT 28 DAYS.
- REINFORCING PER ASTM A615 (GRADE 60)
 - CONE (As .12)
 - RISER/WALLS (As .12)
 - FLOOR (As .31) #5 BARS AT 12" C.C.E.W.

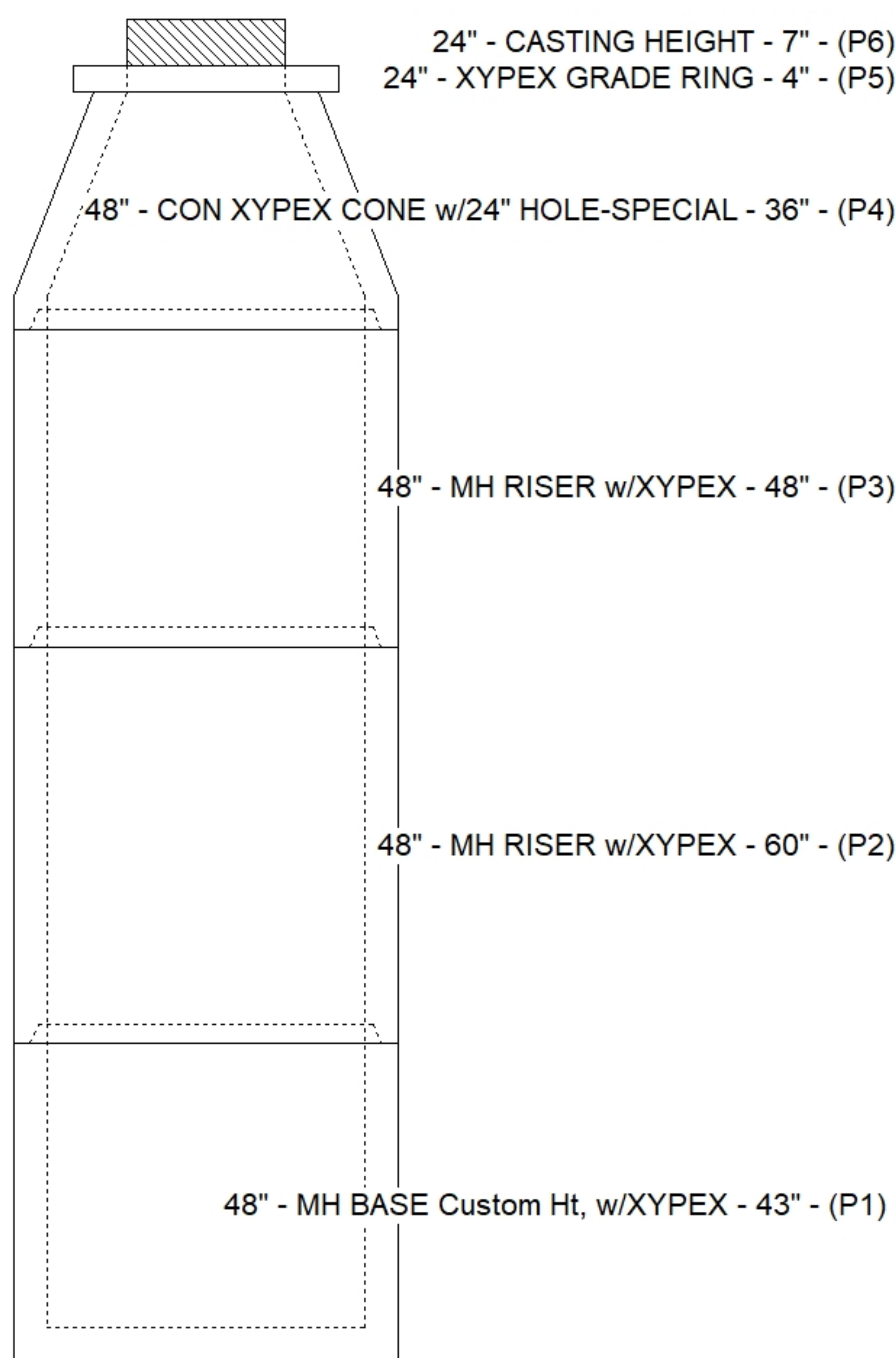
NOTE: KOR-N-SEAL BOOTS SUPPLIED BY OTHERS

STRUCTURE SUMMARY:

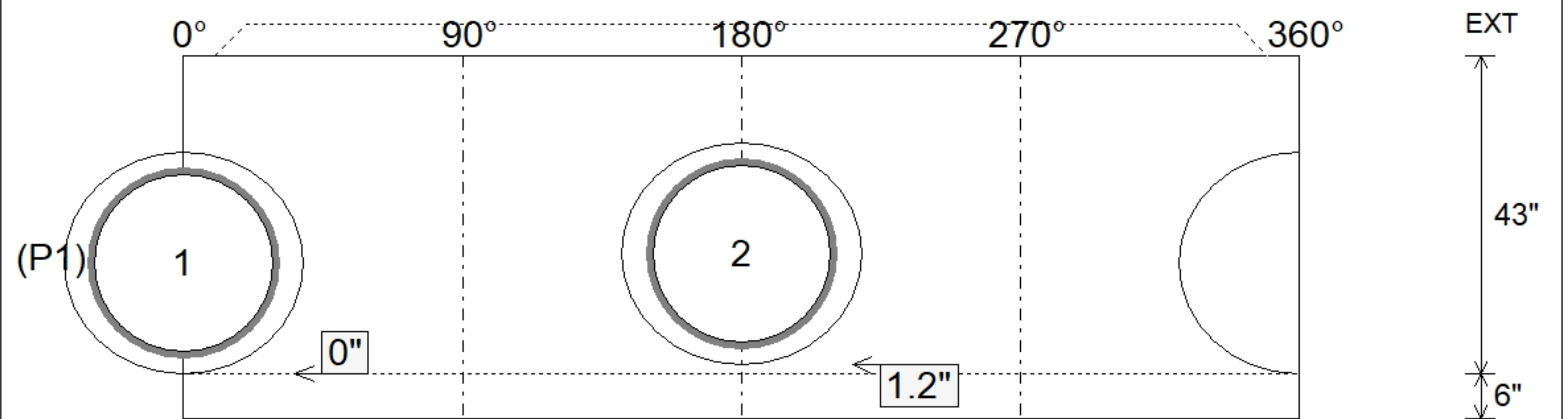
P6) 24" - CASTING HEIGHT - 7"	0 lb
P5) 24" - XYPEX GRADE RING - 4"	270 lb
P4) 48" - CON XYPEX CONE w/24" HOLE-SPECIAL - 36"	2251 lb
P3) 48" - MH RISER w/XYPEX - 48"	3353 lb
P2) 48" - MH RISER w/XYPEX - 60"	4192 lb
P1) 48" - MH BASE Custom Ht, w/XYPEX - 43"	3702 lb
1) JOINT WRAP PRIMER - CONSEAL CS-75 (1 gal.)	0 lb
1) JOINT WRAP - 0.065"x6"x50' CONSEAL CS212	0 lb
1) 48" - SAN. INV. CHANNEL w/XYPEX - FULL HEIGHT	1440 lb
1) CASTING - JBS 1150 F/C SANITARY	250 lb
3) 48" - Conseal CS-102 1.00" (Double)	0 lb
2) Kor-N-Seal2 - S206-30	13 lb
Structure Total:	15471 lb



Position	Elev	Angle	Pipe	Pipe OD	Hole	Connector	Up (")	Ref
Rim	419.5'							
Reducer								
Invert 1	403.09'	0°	24" DI	25.75"	30"	Kor-N-Seal2 S206-30	0"	P1
Invert 2	403.19'	180°	24" DI	25.75"	30"	Kor-N-Seal2 S206-30	1.2"	P1
Invert 3								
Invert 4								
Invert 5								
Invert 6								
Invert 7								
Invert 8								



Default - Interior Dimensions



Submittal Drawing
 3/4/2026 9:55:30 AM

SUBMITTAL
 APPROVED BY: