

Job Name: 25-1137B - East Bank Regional Pump Station	Plant: Beaver Dam	Tech: J. Coppage	
Job Location: Nashville, TN Contractor: Garney Companies, Inc.	3/3/2026 9:13:14 AM	PC: J. Jarvis	

**Structure ID: MH-005 8+45**

**P4 MH048CCN36X**

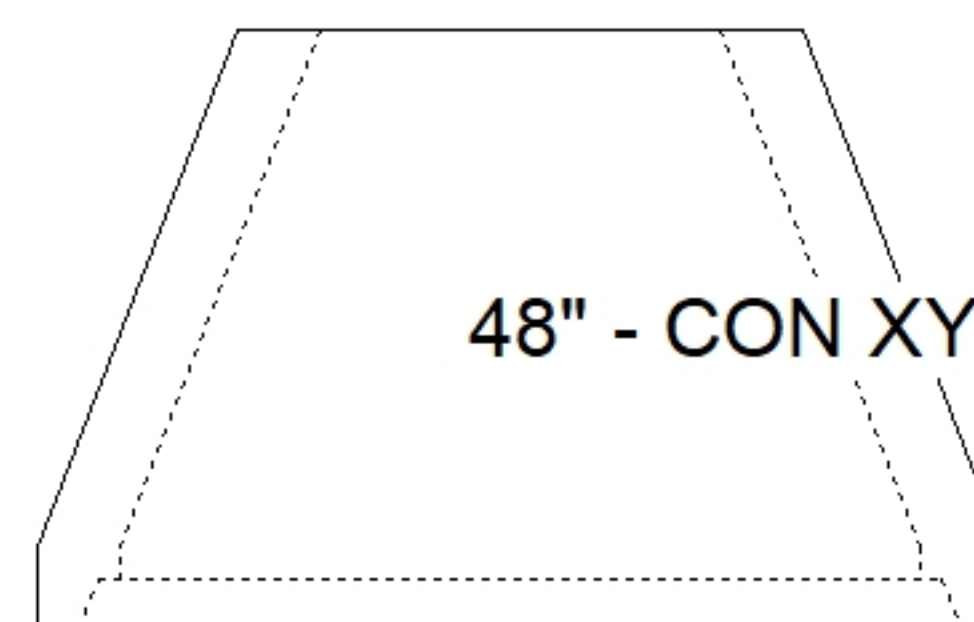
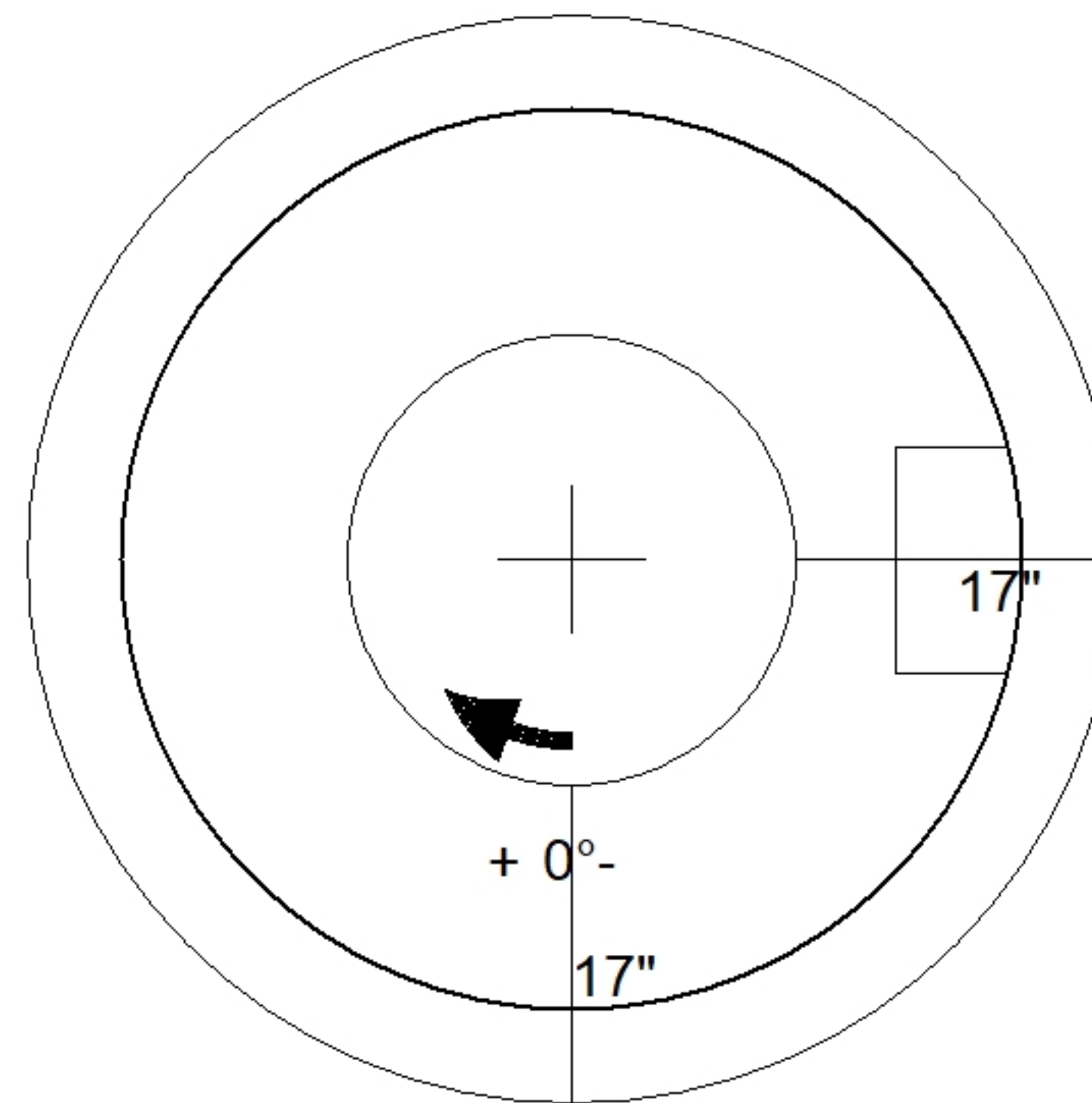
**CON XYPEX CONE w/24" HOLE**

P5) 24" - CASTING HEIGHT - 7"	0 lb
P4) 48" - CON XYPEX CONE w/24" HOLE - 36"	2251 lb
P3) 48" - MH RISER w/XYPEX - 48"	3353 lb
P2) 48" - MH RISER w/XYPEX - 72"	5030 lb
P1) 48" - MH BASE w/XYPEX - 36"	3213 lb
1) JOINT WRAP PRIMER - CONSEAL CS-75 (1 gal.)	0 lb
1) JOINT WRAP - 0.065"x6"x50' CONSEAL CS212	0 lb
1) 48" - SAN. INV. CHANNEL w/XYPEX - FULL HEIGHT	1440 lb
1) CASTING - JBS 1150 F/C SANITARY	250 lb
3) 48" - Conseal CS-102 1.00" (Double)	0 lb
2) Kor-N-Seal2 - S206-30	13 lb
Structure Total:	15550 lb

**Structure Notes:**

1. JBS-1150 METRO SANITARY BY ICAST.
2. PER ASTM C478 SPECIFICATIONS.
3. CONCRETE = 4,500 PSI AT 28 DAYS.
4. REINFORCING PER ASTM A615 (GRADE 60)
  - CONE (As .12)
  - RISER/WALLS (As .12)
  - FLOOR (As .31) #5 BARS AT 12" C.C.E.W.

NOTE: KOR-N-SEAL BOOTS SUPPLIED BY OTHERS



48" - CON XYPEX CONE w/24" HOLE - 36" - (P4)

Coating (Int):	Seam Up: Flat	Wall Thickness: 5"	Height (Ext): 36"	Weight (Net): 2251 lb
Coating (Ext):	Seam Dn: Groove			Volume (Net): 0.57cu.yd