

**Structure ID: MH-005 8+45**

**P2 MH048RS72X**

**MH RISER w/XYPEX**

P5) 24" - CASTING HEIGHT - 7" P4) 48" - CON XYPEX CONE w/24" HOLE - 36" P3) 48" - MH RISER w/XYPEX - 48" P2) 48" - MH RISER w/XYPEX - 72" P1) 48" - MH BASE w/XYPEX - 36" 1) JOINT WRAP PRIMER - CONSEAL CS-75 (1 gal.) 1) JOINT WRAP - 0.065"x6"x50' CONSEAL CS212 1) 48" - SAN. INV. CHANNEL w/XYPEX - FULL HEIGHT 1) CASTING - JBS 1150 F/C SANITARY 3) 48" - Conseal CS-102 1.00" (Double) 2) Kor-N-Seal2 - S206-30	0 lb 2251 lb 3353 lb 5030 lb 3213 lb 0 lb 0 lb 1440 lb 250 lb 0 lb 13 lb ----- Structure Total: 15550 lb
---	--

**Structure Notes:**

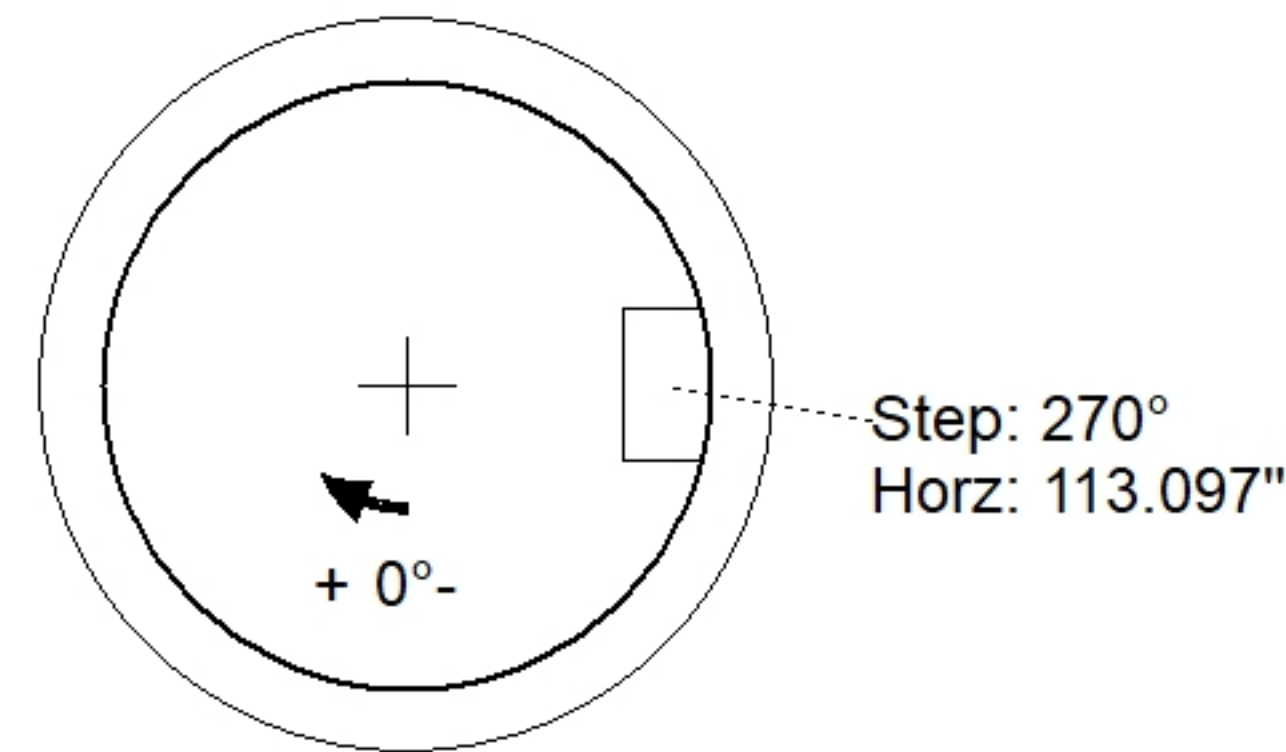
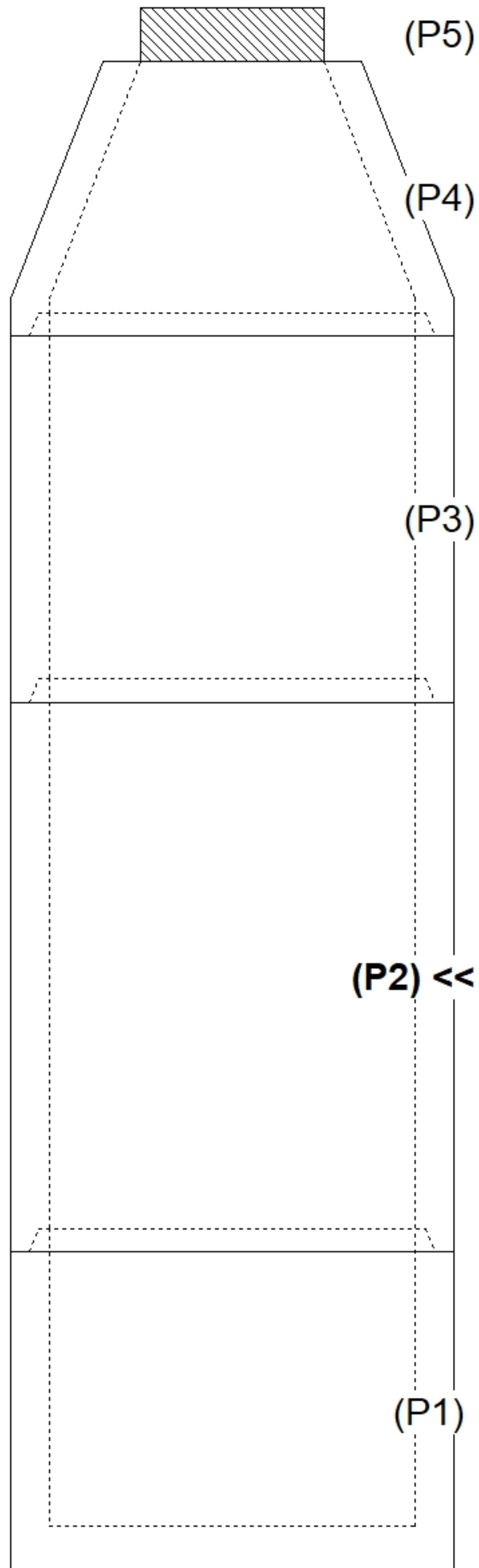
1. JBS-1150 METRO SANITARY BY ICAST.
2. PER ASTM C478 SPECIFICATIONS.
3. CONCRETE = 4,500 PSI AT 28 DAYS.
4. REINFORCING PER ASTM A615 (GRADE 60)
  - CONE (As .12)
  - RISER/WALLS (As .12)
  - FLOOR (As .31) #5 BARS AT 12" C.C.E.W.

NOTE: KOR-N-SEAL BOOTS SUPPLIED BY OTHERS

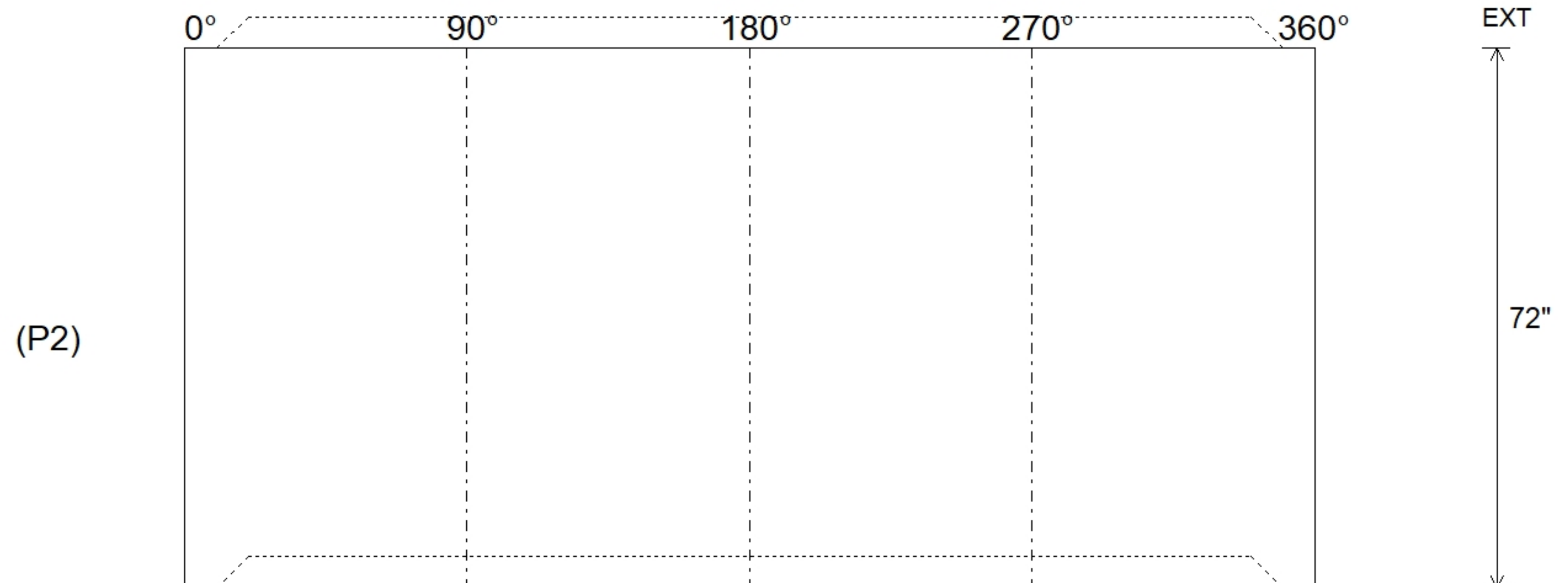
Rim: 419.5'    Rim to Invert: 16.41'    Slack: 0.92"    Sump: 3"    Step Position: 270°

Position	Elev	Angle	Ext. (cw)	Pipe	Pipe OD	Connector	Hole	Horz Size	Up (L)	Offset
Invert 1										
Invert 2										
Invert 3										
Invert 4										
Invert 5										
Invert 6										
Invert 7										
Invert 8										

**RIGHT-SIDE UP VIEW (int. dimensions)**



**INSIDE WALL DIMENSIONS**



Coating (Int):	Seam Up: Tongue Seam Dn: Groove	Wall Thickness: 5" Floor Height: 0"	Height (Int): 72" Height (Ext): 72"
Coating (Ext):			Weight (Net): 5030 lb Volume (Net): 1.28cu.yd