

Job Name: 25-1137B - East Bank Regional Pump Station
 Job Location: Nashville, TN
 Contractor: Garney Companies, Inc.

Plant: Beaver Dam

Tech: J. Coppage

3/3/2026 11:45:51 AM

PC: J. Jarvis



Structure ID: MH-005 8+45

P1 MH048BAVFX

MH BASE Custom Ht, w/XYPEX

- P6) 24" - CASTING HEIGHT - 7"
- P5) 24" - XYPEX GRADE RING - 4"
- P4) 48" - CON XYPEX CONE w/24" HOLE-SPECIAL - 36"
- P3) 48" - MH RISER w/XYPEX - 48"
- P2) 48" - MH RISER w/XYPEX - 60"
- P1) 48" - MH BASE Custom Ht, w/XYPEX - 43"
- 1) JOINT WRAP PRIMER - CONSEAL CS-75 (1 gal.)
- 1) JOINT WRAP - 0.065"x6"x50' CONSEAL CS212
- 1) 48" - SAN. INV. CHANNEL w/XYPEX - FULL HEIGHT
- 1) CASTING - JBS 1150 F/C SANITARY
- 3) 48" - Conseal CS-102 1.00" (Double)
- 2) Kor-N-Seal2 - S206-30

- Structure Notes:**
1. JBS-1150 METRO SANITARY BY ICAST.
 2. PER ASTM C478 SPECIFICATIONS.
 3. CONCRETE = 4,500 PSI AT 28 DAYS.
 4. REINFORCING PER ASTM A615 (GRADE 60)
- CONE (As .12)
 - RISER/WALLS (As .12)
 - FLOOR (As .31) #5 BARS AT 12" C.C.E.W.
- NOTE: KOR-N-SEAL BOOTS SUPPLIED BY OTHERS

0 lb
 270 lb
 2251 lb
 3353 lb
 4192 lb
 3702 lb
 0 lb
 0 lb
 1440 lb
 250 lb
 0 lb
 13 lb

 Structure Total: 15471 lb

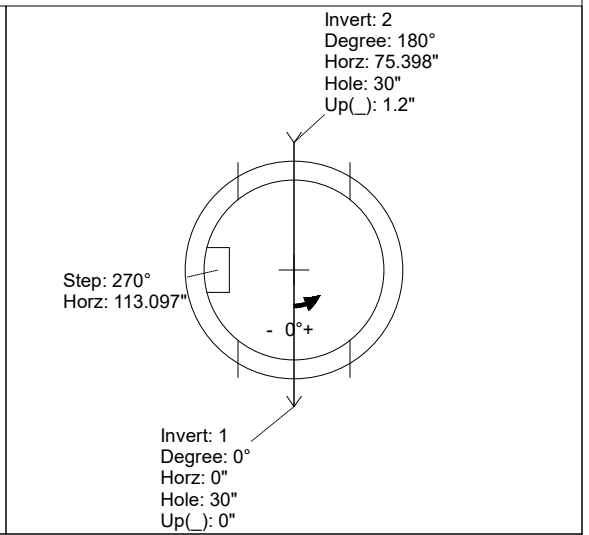
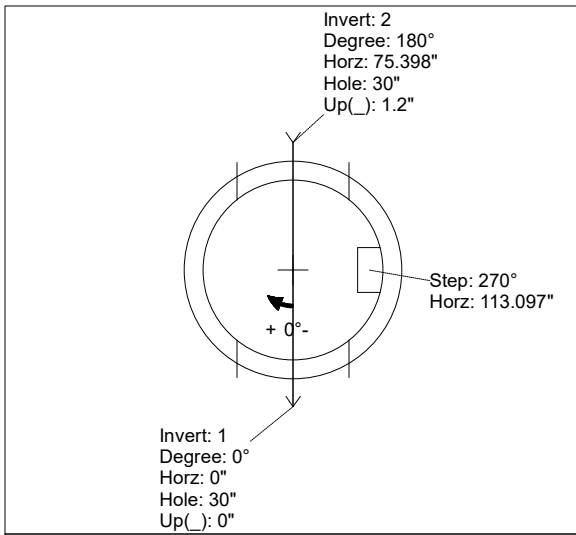
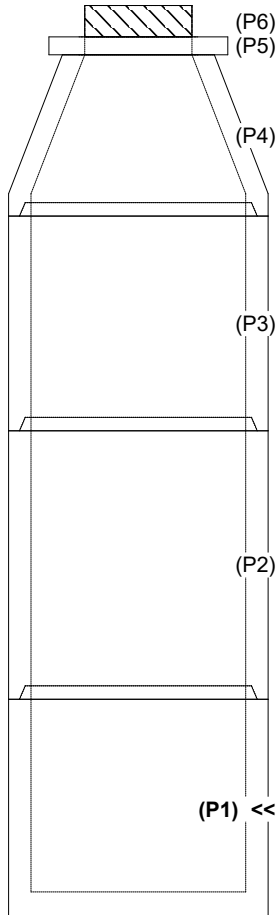
Structure Total: 15471 lb

Rim: 419.5' Rim to Invert: 16.41' Slack: 1.92" Sump: 3" Step Position: 270°

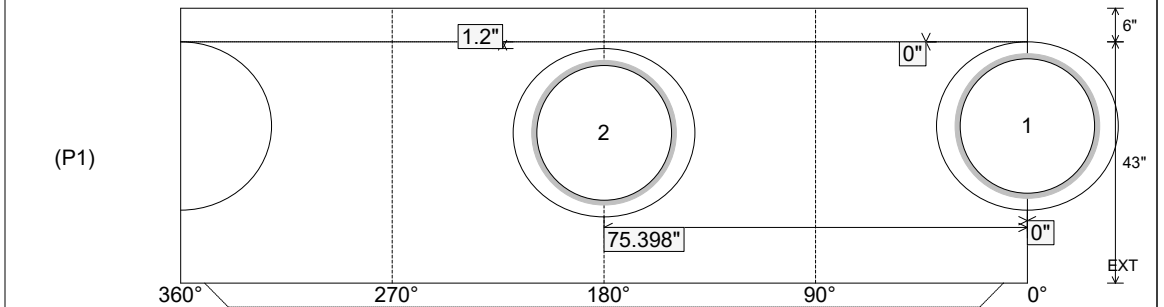
Position	Elev	Angle	Ext. (cw)	Pipe	Pipe OD	Connector	Hole	Horz Size	Up ()	Offset
Invert 1	403.09'	0°	0"	24" DI	25.75"	Kor-N-Seal2 S206-30	30"	32.406"	0"	0"
Invert 2	403.19'	180°	91.106"	24" DI	25.75"	Kor-N-Seal2 S206-30	30"	32.406"	1.2"	0"
Invert 3										
Invert 4										
Invert 5										
Invert 6										
Invert 7										
Invert 8										

RIGHT-SIDE UP VIEW (int. dimensions)

UPSIDE-DOWN VIEW (int. dimensions)



INSIDE WALL DIMENSIONS



Coating (Int):
 Coating (Ext):

Seam Up: Tongue
 Seam Dn: n/a

Wall Thickness: 5"
 Floor Height: 6"

Height (Int): 43"
 Height (Ext): 49"

Weight (Net): 3702 lb
 Volume (Net): 0.95cu.yd

Job Name: 25-1137B - East Bank Regional Pump Station
 Job Location: Nashville, TN
 Contractor: Garney Companies, Inc.

Plant: Beaver Dam

Tech: J. Coppage

3/3/2026 11:45:51 AM

PC: J. Jarvis



Structure ID: MH-005 8+45

P1 MH048BAVFX

MH BASE Custom Ht, w/XYPEX

- P6) 24" - CASTING HEIGHT - 7"
- P5) 24" - XYPEX GRADE RING - 4"
- P4) 48" - CON XYPEX CONE w/24" HOLE-SPECIAL - 36"
- P3) 48" - MH RISER w/XYPEX - 48"
- P2) 48" - MH RISER w/XYPEX - 60"
- P1) 48" - MH BASE Custom Ht, w/XYPEX - 43"
- 1) JOINT WRAP PRIMER - CONSEAL CS-75 (1 gal.)
- 1) JOINT WRAP - 0.065"x6"x50' CONSEAL CS212
- 1) 48" - SAN. INV. CHANNEL w/XYPEX - FULL HEIGHT
- 1) CASTING - JBS 1150 F/C SANITARY
- 3) 48" - Conseal CS-102 1.00" (Double)
- 2) Kor-N-Seal2 - S206-30

- Structure Notes:**
1. JBS-1150 METRO SANITARY BY ICAST.
 2. PER ASTM C478 SPECIFICATIONS.
 3. CONCRETE = 4,500 PSI AT 28 DAYS.
 4. REINFORCING PER ASTM A615 (GRADE 60)
- CONE (As .12)
 - RISER/WALLS (As .12)
 - FLOOR (As .31) #5 BARS AT 12" C.C.E.W.
- NOTE: KOR-N-SEAL BOOTS SUPPLIED BY OTHERS

0 lb
 270 lb
 2251 lb
 3353 lb
 4192 lb
 3702 lb
 0 lb
 0 lb
 1440 lb
 250 lb
 0 lb
 13 lb

 Structure Total: 15471 lb

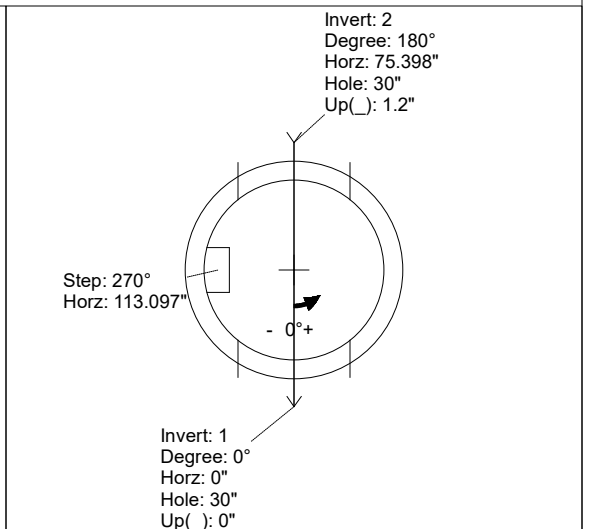
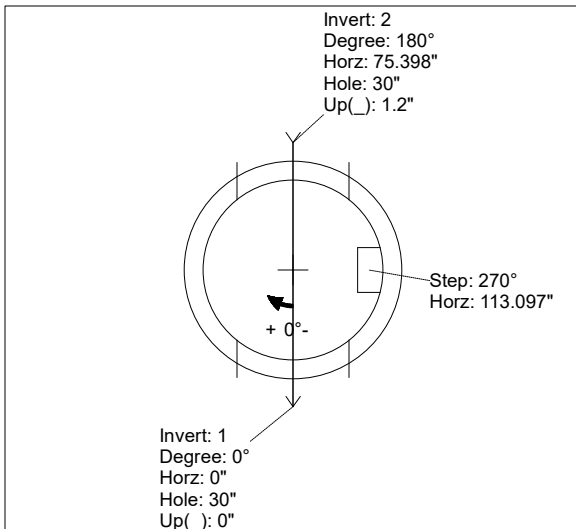
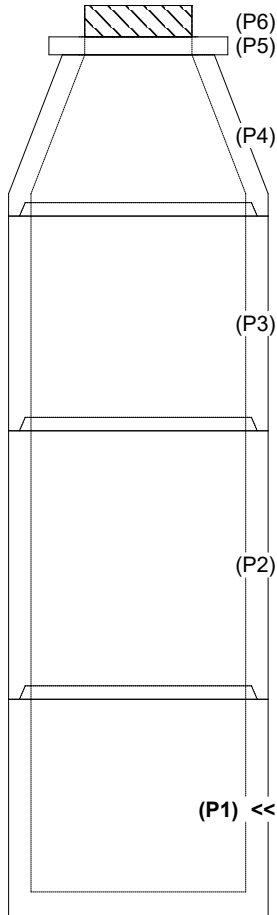
**INVERT CHANNEL DRAWING
 FULL HEIGHT INVERT**

Rim: 419.5' Rim to Invert: 16.41' Slack: 1.92" Sump: 3" Step Position: 270°

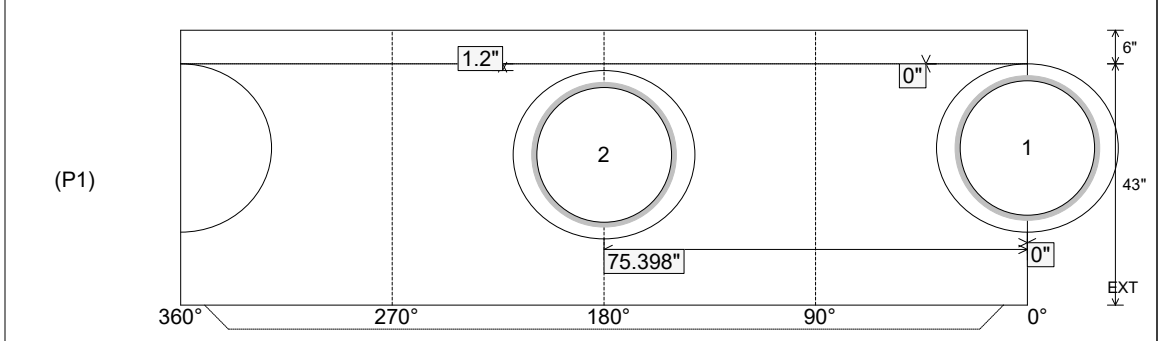
Position	Elev	Angle	Ext. (cw)	Pipe	Pipe OD	Connector	Hole	Horz Size	Up ()	Offset
Invert 1	403.09'	0°	0"	24" DI	25.75"	Kor-N-Seal2 S206-30	30"	32.406"	0"	0"
Invert 2	403.19'	180°	91.106"	24" DI	25.75"	Kor-N-Seal2 S206-30	30"	32.406"	1.2"	0"
Invert 3										
Invert 4										
Invert 5										
Invert 6										
Invert 7										
Invert 8										

RIGHT-SIDE UP VIEW (int. dimensions)

UPSIDE-DOWN VIEW (int. dimensions)



INSIDE WALL DIMENSIONS



Coating (Int): Coating (Ext):	Seam Up: Tongue Seam Dn: n/a	Wall Thickness: 5" Floor Height: 6"	Height (Int): 43" Height (Ext): 49"	Weight (Net): 3702 lb Volume (Net): 0.95cu.yd
----------------------------------	---------------------------------	--	--	--