

Job Name: 25-1137B - East Bank Regional Pump Station

Job Location: Nashville, TN

Contractor: Garney Companies, Inc.

PC: J. Jarvis

TECH: J. Coppage

Plant: Beaver Dam



Structure ID: **MH-004 6+34**

Spec: Sanitary-Xypex
Type: Transition Manhole
Size: 96"

Rim: 419.43'
Invert: 397.97'
Rim to Invert: 21.46'

Sump: 14.04"
Floor (Top): 396.8"
Floor Height: 8"

Floor (Bot): 396.133'
Overall Height: 23.167'
Slack: 1.56"

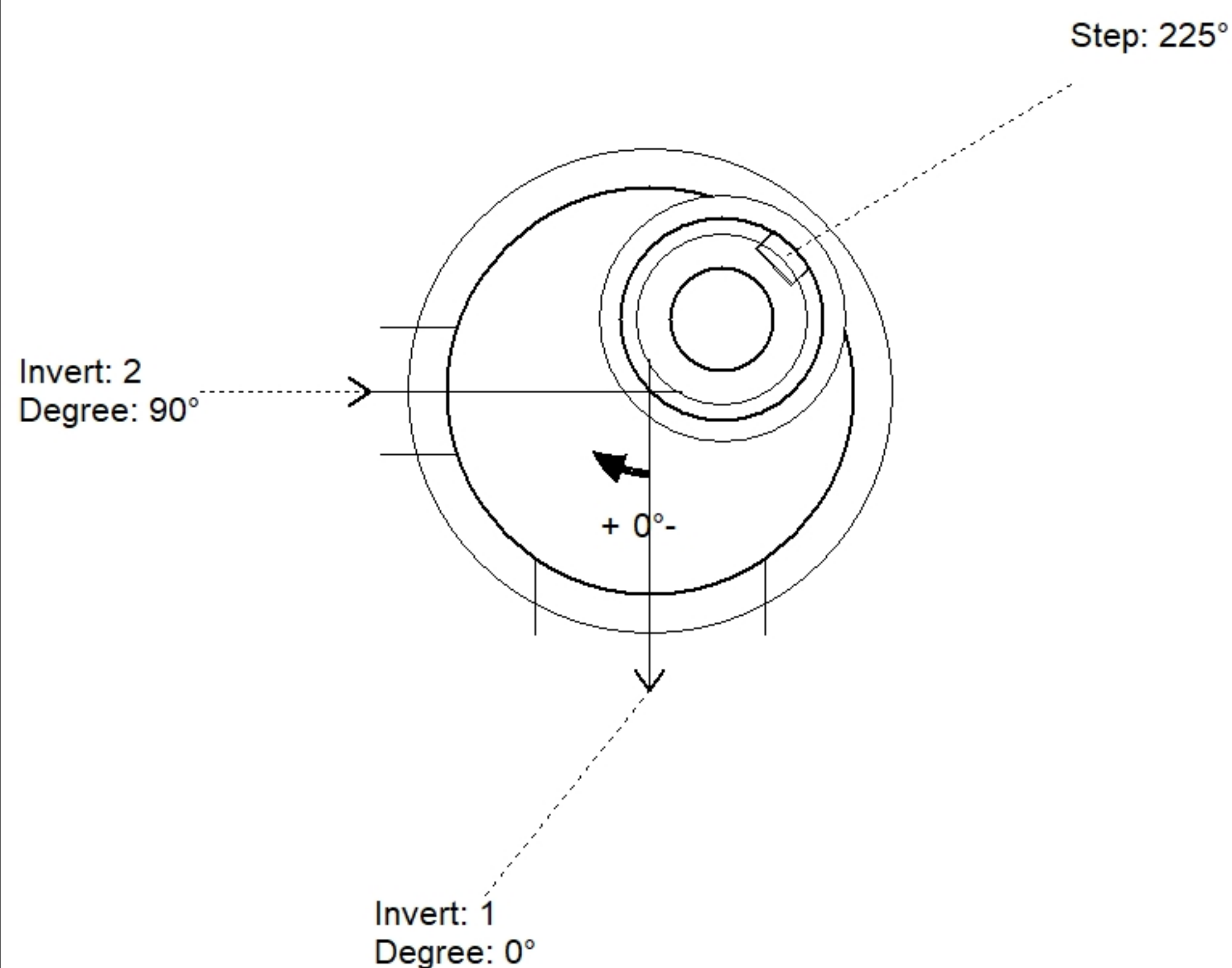
Structure Notes:

- JBS-1150 METRO SANITARY BY ICAST.
- PER ASTM C478 SPECIFICATIONS.
- CONCRETE = 4,500 PSI AT 28 DAYS.
- REINFORCING PER ASTM A615 (GRADE 60)
 - TOP (As .62) #5 BAR AT 6" C/C E.W.
 - WALLS (As .18) WWF OR EQUIV.
 - FLOOR (As .20) #4 BAR AT 12" C/C E.W. DOUBLE MAT

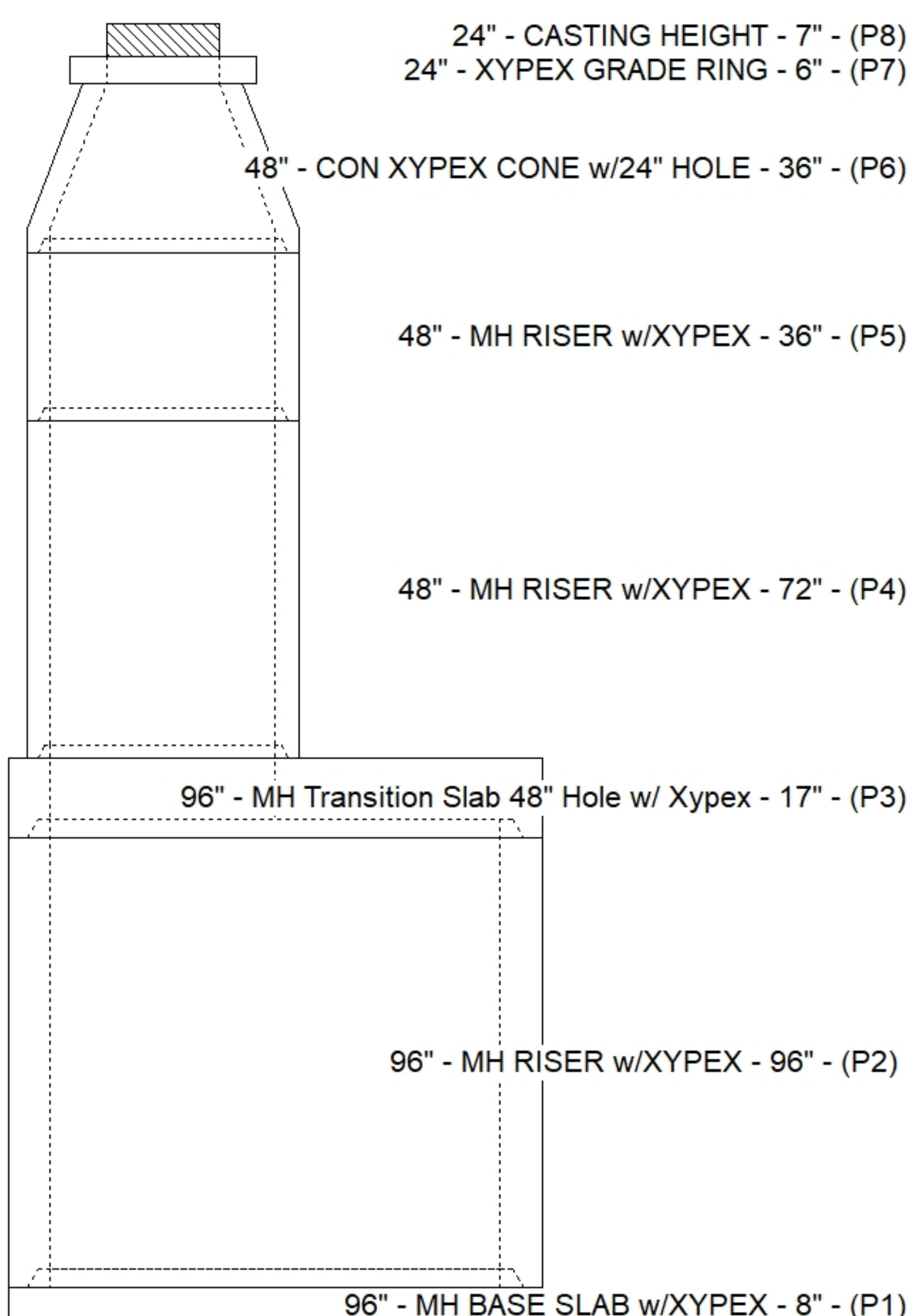
NOTE: KOR-N-SEAL BOOTS SUPPLIED BY OTHERS

STRUCTURE SUMMARY:

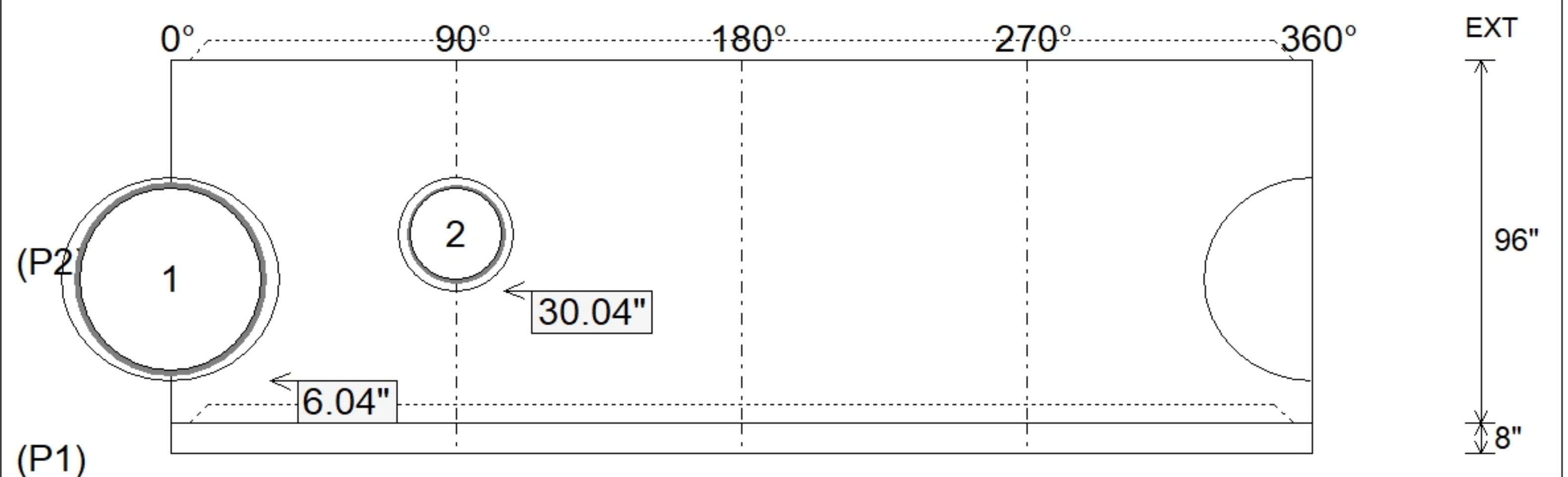
P8) 24" - CASTING HEIGHT - 7"	0 lb
P7) 24" - XYPEX GRADE RING - 6"	405 lb
P6) 48" - CON XYPEX CONE w/24" HOLE - 36"	2251 lb
P5) 48" - MH RISER w/XYPEX - 36"	2515 lb
P4) 48" - MH RISER w/XYPEX - 72"	5030 lb
P3) 96" - MH Transition Slab 48" Hole w/ Xypex - 17"	9106 lb
P2) 96" - MH RISER w/XYPEX - 96"	21554 lb
P1) 96" - MH BASE SLAB w/XYPEX - 8"	10880 lb
1) JOINT WRAP PRIMER - CONSEAL CS-75 (1 gal.)	0 lb
1) JOINT WRAP - 0.065"x6"x50' CONSEAL CS212	0 lb
1) CASTING - JBS 1150 F/C SANITARY	250 lb
2) 96" - Conseal CS-102 1.00" (Double)	0 lb
3) 48" - Conseal CS-102 1.00" (Double)	0 lb
1) Kor-N-Seal2 - S206-54L	6 lb
1) Kor-N-Seal2 - S206-30	6 lb
Structure Total:	52004 lb



Position	Elev	Angle	Pipe	Pipe OD	Hole	Connector	Up (")	Ref
Rim	419.43'							
Reducer	404.8'							
Invert 1	397.97'	0°	48" DI	50.75"	54"	Kor-N-Seal2 S206-54L	6.04"	P2
Invert 2	399.97'	90°	24" DI	25.75"	30"	Kor-N-Seal2 S206-30	30.04"	P2
Invert 3								
Invert 4								
Invert 5								
Invert 6								
Invert 7								
Invert 8								



Default - Interior Dimensions



Submittal Drawing
3/4/2026 9:55:28 AM

SUBMITTAL
APPROVED BY: