

Job Name: 25-1137B - East Bank Regional Pump Station
 Job Location: Nashville, TN
 Contractor: Garney Companies, Inc.

Plant: Beaver Dam

Tech: J. Coppage

3/3/2026 11:46:17 AM

PC: J. Jarvis



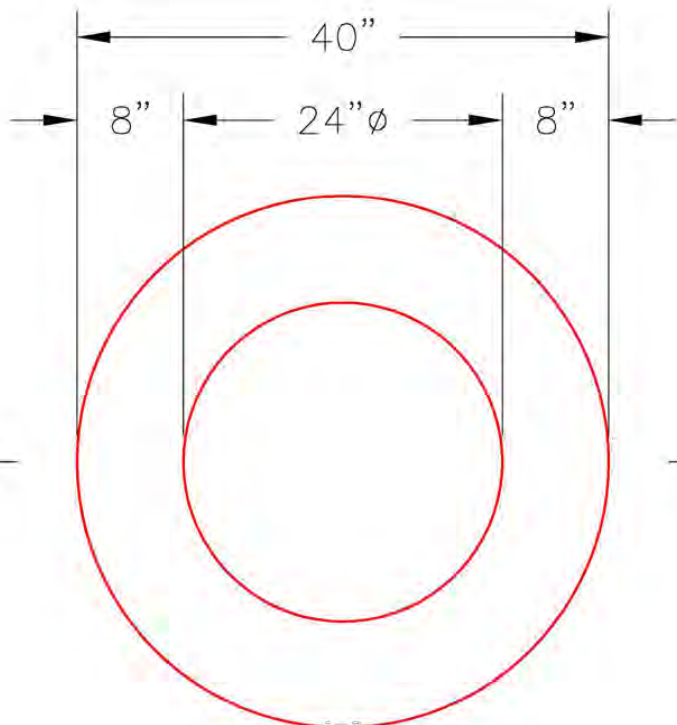
Structure ID: MH-004 6+34

P7 GR6X

XYPEX GRADE RING

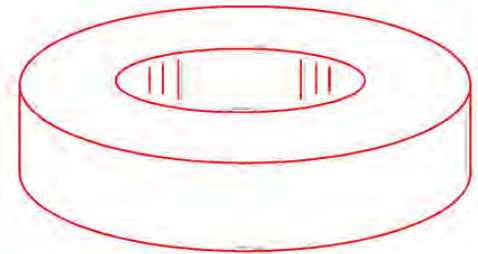
- P8) 24" - CASTING HEIGHT - 7"
- P7) 24" - XYPEX GRADE RING - 6"
- P6) 48" - CON XYPEX CONE w/24" HOLE - 36"
- P5) 48" - MH RISER w/XYPEX - 36"
- P4) 48" - MH RISER w/XYPEX - 72"
- P3) 96" - MH Transition Slab 48" Hole w/ Xypex - 17"
- P2) 96" - MH RISER w/XYPEX - 96"
- P1) 96" - MH BASE SLAB w/XYPEX - 8"
- 1) JOINT WRAP PRIMER - CONSEAL CS-75 (1 gal.)
- 1) JOINT WRAP - 0.065"x6"x50' CONSEAL CS212
- 1) CASTING - JBS 1150 F/C SANITARY
- 2) 96" - Conseal CS-102 1.00" (Double)
- 3) 48" - Conseal CS-102 1.00" (Double)
- 1) Kor-N-Seal2 - S206-54L
- 1) Kor-N-Seal2 - S206-30

- Structure Notes:**
1. JBS-1150 METRO SANITARY BY ICAST.
 2. PER ASTM C478 SPECIFICATIONS.
 3. CONCRETE = 4,500 PSI AT 28 DAYS.
 4. REINFORCING PER ASTM A615 (GRADE 60)
 - TOP (As .62) #5 BAR AT 6" C/C E.W.
 - WALLS (As .18) WWF OR EQUIV.
 - FLOOR (As .20) #4 BAR AT 12" C/C E.W. DOUBLE MAT
- NOTE: KOR-N-SEAL BOOTS SUPPLIED BY OTHERS
- | | |
|------------------|----------|
| | 0 lb |
| | 405 lb |
| | 2251 lb |
| | 2515 lb |
| | 5030 lb |
| | 9106 lb |
| | 21554 lb |
| | 10880 lb |
| | 0 lb |
| | 0 lb |
| | 250 lb |
| | 0 lb |
| | 0 lb |
| | 6 lb |
| | 6 lb |
| Structure Total: | 52004 lb |

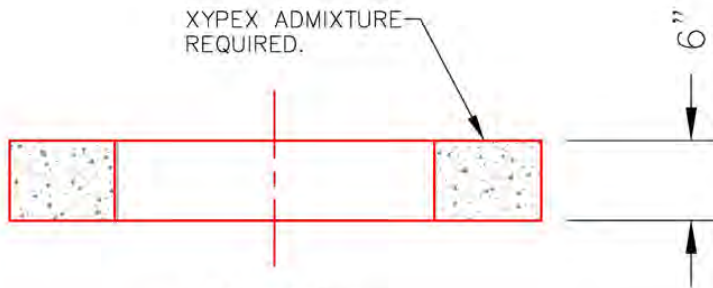


PLAN VIEW

- NOTES:**
1. GRADE RINGS MEET OR EXCEED THE FOLLOWING SPECIFICATIONS:
 - CONCRETE: 4,000 PSI @ 28 DAYS.
 - REINFORCING: ASTM C-478.
 2. WEIGHT: 6" 420 Lbs.
 3. XYPEX ADMIXTURE REQUIRED



ISOMETRIC VIEW



SECTION A-A

Coating (Int): Coating (Ext):	Seam Up: Flat Seam Dn: Flat	Wall Thickness: 8"	Height (Ext): 6"	Weight (Net): 405 lb Volume (Net): 0.1cu.yd
----------------------------------	--------------------------------	--------------------	------------------	--