

Job Name: 25-1137 - East Bank Regional Pump Station
Job Location: Nashville, TN
Contractor: Garney Companies, Inc.

PC: J. Jarvis
 TECH: M. Biliter
 Plant: Beaver Dam



Structure ID: **MH 003 3+50**
 Spec: Sanitary-Xypex
 Type: Transition Manhole
 Size: 72"

Rim: 420.21'
 Invert: 397.59'
 Rim to Invert: 22.62'

Sump: 2.125"
 Floor (Top): 397.413'
 Floor Height: 8"

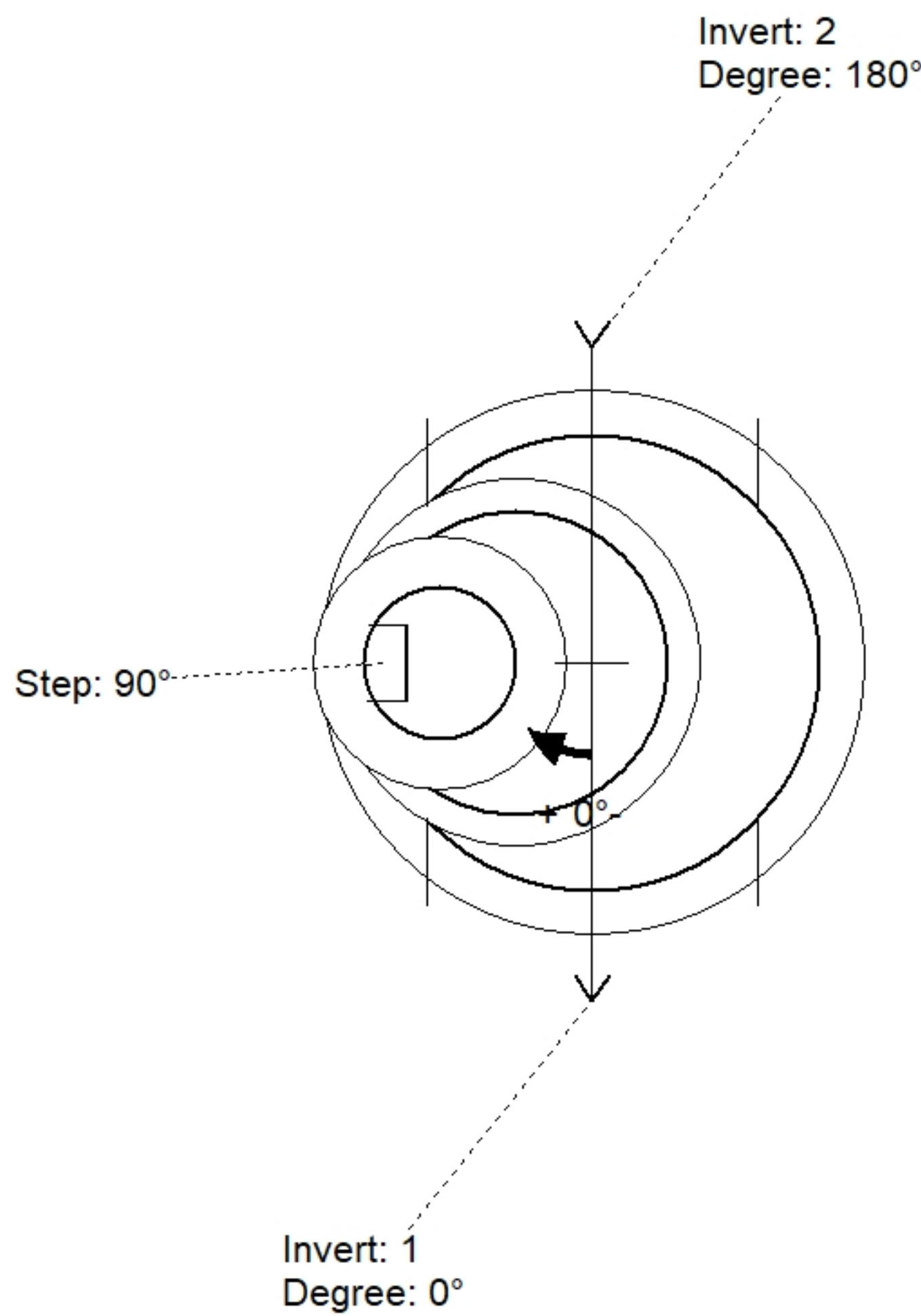
Floor (Bot): 396.746'
 Overall Height: 23.375'
 Slack: 1.065"

Structure Notes:

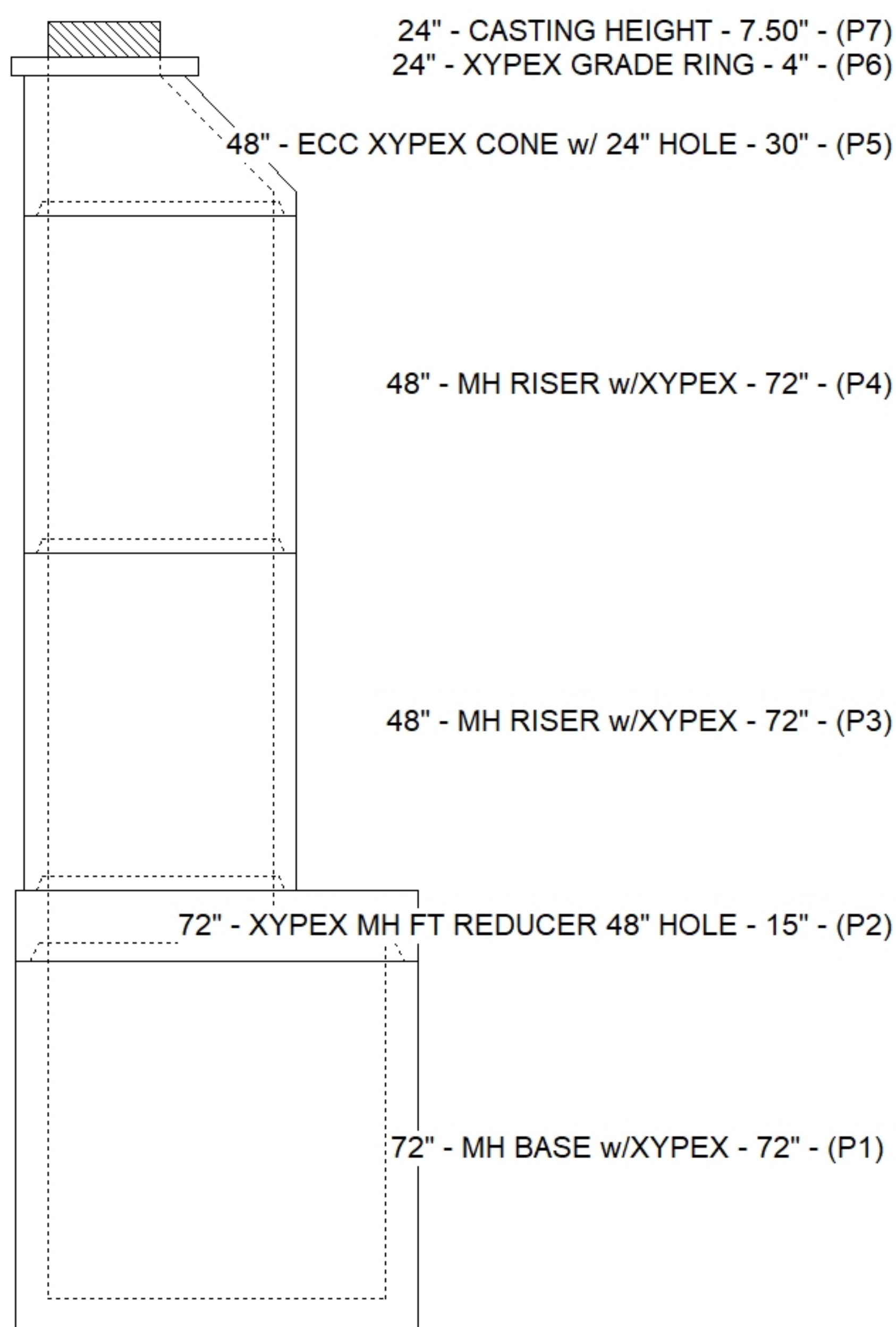
- PER ASTM C478 SPECIFICATIONS.
- CONCRETE = 4,500 PSI AT 28 DAYS.
- REINFORCING PER ASTM A615 (GRADE 60)
 - TOP (As .62) #5 BAR AT 6" C/C E.W.
 - WALLS (As .18) WWF OR EQUIV.
 - FLOOR (As .20) #4 BAR AT 12" C/C E.W. DOUBLE MAT
- CASTING - JBS 1123 WT F/G "SANITARY" BY ICAST.

STRUCTURE SUMMARY:

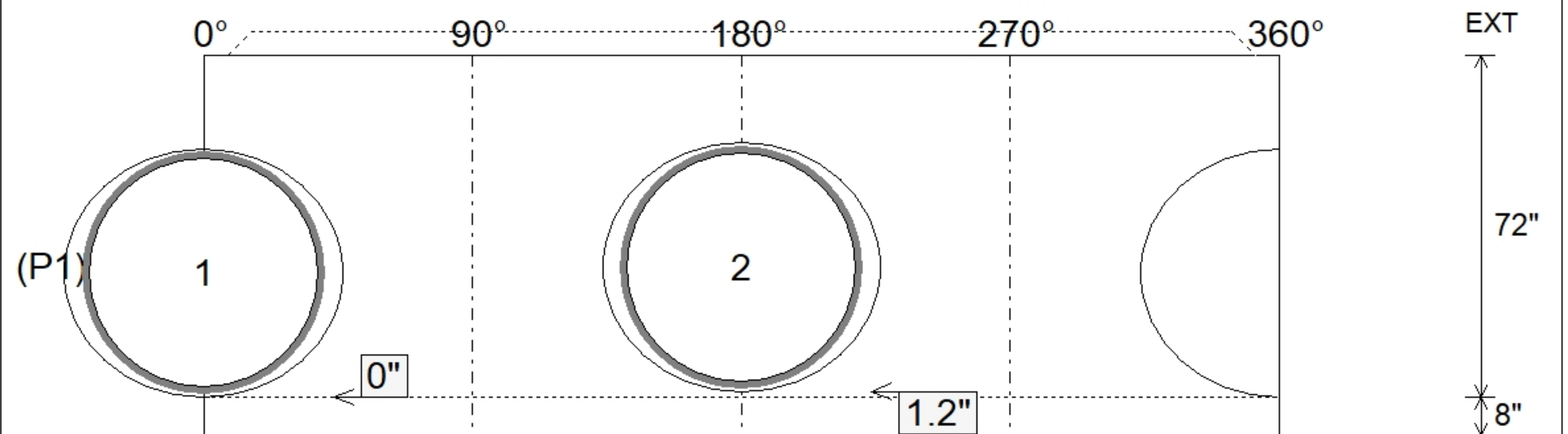
P7) 24" - CASTING HEIGHT - 7.50"	0 lb
P6) 24" - XYPEX GRADE RING - 4"	270 lb
P5) 48" - ECC XYPEX CONE w/ 24" HOLE - 30"	2050 lb
P4) 48" - MH RISER w/XYPEX - 72"	5030 lb
P3) 48" - MH RISER w/XYPEX - 72"	5030 lb
P2) 72" - XYPEX MH FT REDUCER 48" HOLE - 15"	3864 lb
P1) 72" - MH BASE w/XYPEX - 72"	11633 lb
1) JOINT WRAP PRIMER - CONSEAL CS-75 (1 gal.)	0 lb
1) JOINT WRAP - 0.065"x6"x50' CONSEAL CS212	0 lb
1) 72" - SAN. INV. CHANNEL - FULL HEIGHT	5422 lb
1) 72" - DBL 1"x14.5' Butyl (2x)	0 lb
3) 48" - DBL 1"x14.5' Butyl (2x)	0 lb
2) A-Lok - 1630	2 lb
22) MH Step - 12"	0 lb
Structure Total:	33300 lb



Position	Elev	Angle	Pipe	Pipe OD	Hole	Connector	Up (")	Ref
Rim	420.21'							
Reducer	403.413'							
Invert 1	397.59'	0°	48" DI	50.75"	52.25"	A-Lok 1630	0"	P1
Invert 2	397.69'	180°	48" DI	50.75"	52.25"	A-Lok 1630	1.2"	P1
Invert 3								
Invert 4								
Invert 5								
Invert 6								
Invert 7								
Invert 8								



Default - Interior Dimensions



Submittal Drawing
 11/17/2025 8:33:41 AM

SUBMITTAL
 APPROVED BY: