

Job Name: 25-1137 - East Bank Regional Pump Station  
 Job Location: Nashville, TN  
 Contractor: Garney Companies, Inc.

Plant: Beaver Dam  
 4/8/2025 8:22:50 AM

Tech: M. Biliter  
 PC: J. Jarvis



**Structure ID: MH 003 3+50**

**P1 MH072BA72X**

**MH BASE w/XYPEX T/n**

- P7) 24" - CASTING HEIGHT - 7.50"
- P6) 24" - XYPEX GRADE RING F/F - 4"
- P5) 48" - ECC XYPEX CONE w/ 24" HOLE F/G - 30"
- P4) 48" - MH RISER w/XYPEX T/G - 72"
- P3) 48" - MH RISER w/XYPEX T/G - 72"
- P2) 72" - XYPEX MH FT REDUCER 48" HOLE T/G - 15"
- P1) 72" - MH BASE w/XYPEX T/n - 72"
- 1) JOINT WRAP PRIMER - CONSEAL CS-75 (1 gal.)
- 1) JOINT WRAP - 0.065"x6"x50' CONSEAL CS212
- 1) 72" - SAN. INV. CHANNEL - FULL HEIGHT
- 1) 72" - DBL 1"x14.5' Butyl (2x)
- 3) 48" - DBL 1"x14.5' Butyl (2x)
- 2) A-Lok - 1630
- 22) MH Step - 12"

0 lb  
 270 lb  
 2050 lb  
 5030 lb  
 5030 lb  
 3864 lb  
 11633 lb  
 0 lb  
 0 lb  
 5422 lb  
 0 lb  
 0 lb  
 2 lb  
 0 lb  
 \_\_\_\_\_  
 Structure Total: 33300 lb

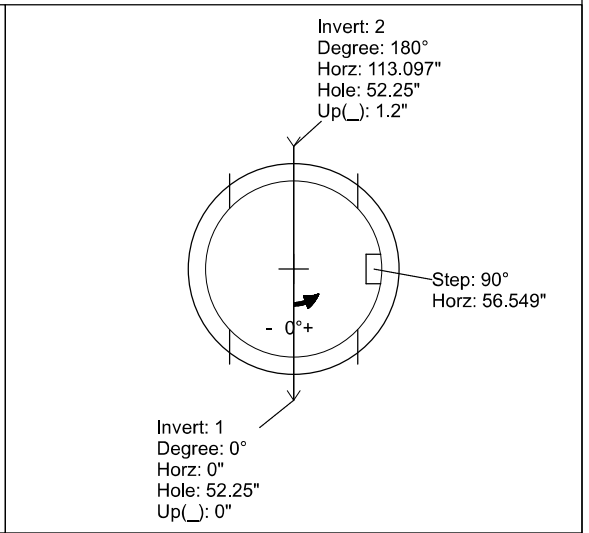
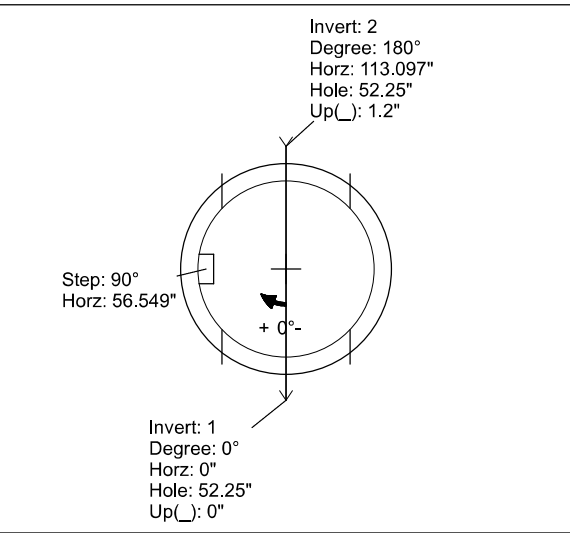
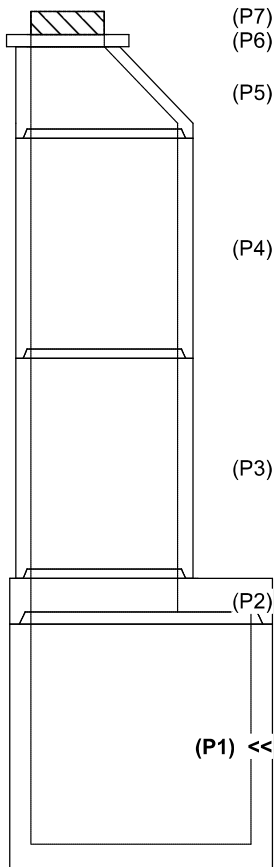
- Structure Notes:**
1. PER ASTM C478 SPECIFICATIONS.
  2. CONCRETE = 4,500 PSI AT 28 DAYS.
  3. REINFORCING PER ASTM A615 (GRADE 60)
    - TOP (As .62) #5 BAR AT 6" C/C E.W.
    - WALLS (As .18) WWF OR EQUIV.
    - FLOOR (As .20) #4 BAR AT 12" C/C E.W. DOUBLE MAT
  4. CASTING - JBS 1123 WT F/G "SANITARY" BY ICAST.

Rim: 420.21' Rim to Invert: 22.62' Slack: 1.065" Sump: 2.125" Step Position: 90°

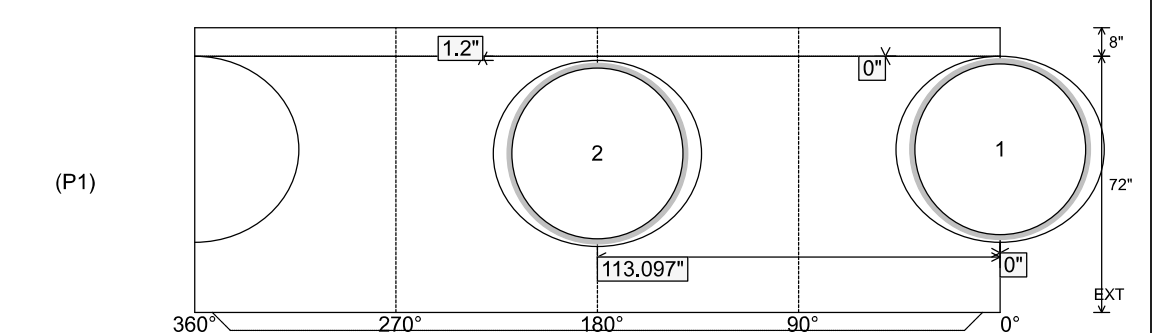
Position	Elev	Angle	Ext. (cw)	Pipe	Pipe OD	Connector	Hole	Horz Size	Up ( )	Offset
Invert 1	397.59'	0°	0"	48" DI	50.75"	A-Lok 1630	52.25"	58.467"	0"	0"
Invert 2	397.69'	180°	135.088"	48" DI	50.75"	A-Lok 1630	52.25"	58.467"	1.2"	0"
Invert 3										
Invert 4										
Invert 5										
Invert 6										
Invert 7										
Invert 8										

RIGHT-SIDE UP VIEW (int. dimensions)

UPSIDE-DOWN VIEW (int. dimensions)



INSIDE WALL DIMENSIONS

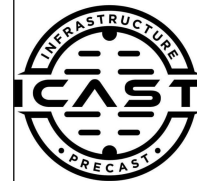


Coating (Int): Coating (Ext):	Seam Up: Tongue Seam Dn: n/a	Wall Thickness: 7" Floor Height: 8"	Height (Int): 72" Height (Ext): 80"	Weight (Net): 11633 lb Volume (Net): 2.97cu.yd
----------------------------------	---------------------------------	--	--	---

Job Name: 25-1137 - East Bank Regional Pump Station  
 Job Location: Nashville, TN  
 Contractor: Garney Companies, Inc.

Plant: Beaver Dam  
 4/8/2025 8:22:50 AM

Tech: M. Biliter  
 PC: J. Jarvis



**Structure ID: MH 003 3+50**

**P1 MH072BA72X**

**MH BASE w/XYPEX T/n**

- P7) 24" - CASTING HEIGHT - 7.50"
- P6) 24" - XYPEX GRADE RING F/F - 4"
- P5) 48" - ECC XYPEX CONE w/ 24" HOLE F/G - 30"
- P4) 48" - MH RISER w/XYPEX T/G - 72"
- P3) 48" - MH RISER w/XYPEX T/G - 72"
- P2) 72" - XYPEX MH FT REDUCER 48" HOLE T/G - 15"
- P1) 72" - MH BASE w/XYPEX T/n - 72"
- 1) JOINT WRAP PRIMER - CONSEAL CS-75 (1 gal.)
- 1) JOINT WRAP - 0.065"x6"x50' CONSEAL CS212
- 1) 72" - SAN. INV. CHANNEL - FULL HEIGHT
- 1) 72" - DBL 1"x14.5' Butyl (2x)
- 3) 48" - DBL 1"x14.5' Butyl (2x)
- 2) A-Lok - 1630
- 22) MH Step - 12"

0 lb  
 270 lb  
 2050 lb  
 5030 lb  
 5030 lb  
 3864 lb  
 11633 lb  
 0 lb  
 0 lb  
 5422 lb  
 0 lb  
 0 lb  
 0 lb  
 2 lb  
 0 lb  
 -----  
 Structure Total: 33300 lb

- Structure Notes:**
1. PER ASTM C478 SPECIFICATIONS.
  2. CONCRETE = 4,500 PSI AT 28 DAYS.
  3. REINFORCING PER ASTM A615 (GRADE 60)
    - TOP (As .62) #5 BAR AT 6" C/C E.W.
    - WALLS (As .18) WWF OR EQUIV.
    - FLOOR (As .20) #4 BAR AT 12" C/C E.W. DOUBLE MAT
  4. CASTING - JBS 1123 WT F/G "SANITARY" BY ICAST.

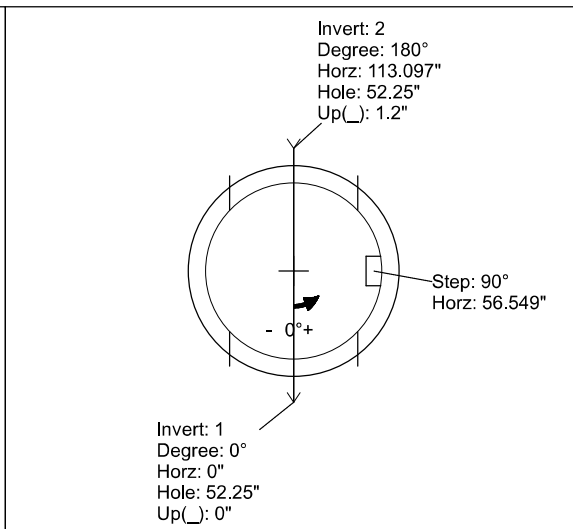
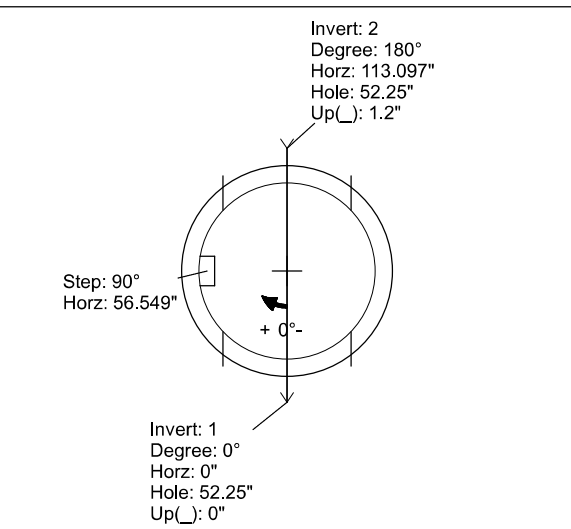
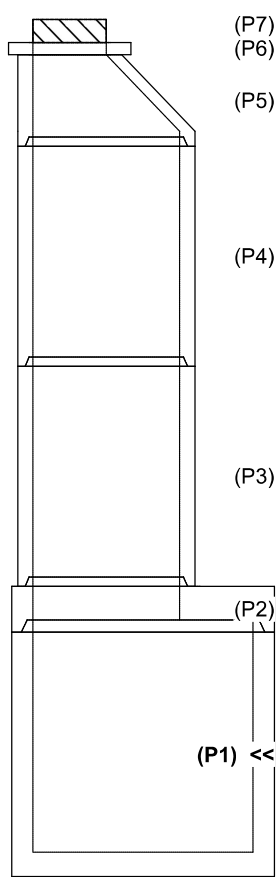
INVERT CHANNEL DRAWING  
 FULL HEIGHT INVERT REQUIRED

Rim: 420.21' Rim to Invert: 22.62' Slack: 1.065" Sump: 2.125" Step Position: 90°

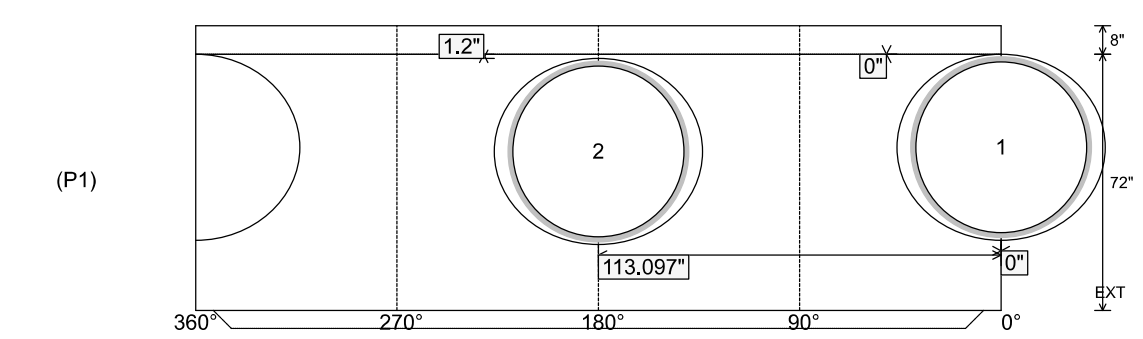
Position	Elev	Angle	Ext. (cw)	Pipe	Pipe OD	Connector	Hole	Horz Size	Up ( )	Offset
Invert 1	397.59'	0°	0"	48" DI	50.75"	A-Lok 1630	52.25"	58.467"	0"	0"
Invert 2	397.69'	180°	135.088"	48" DI	50.75"	A-Lok 1630	52.25"	58.467"	1.2"	0"
Invert 3										
Invert 4										
Invert 5										
Invert 6										
Invert 7										
Invert 8										

**RIGHT-SIDE UP VIEW (int. dimensions)**

**UPSIDE-DOWN VIEW (int. dimensions)**



**INSIDE WALL DIMENSIONS**



Coating (Int): Coating (Ext):	Seam Up: Tongue Seam Dn: n/a	Wall Thickness: 7" Floor Height: 8"	Height (Int): 72" Height (Ext): 80"	Weight (Net): 11633 lb Volume (Net): 2.97cu.yd
----------------------------------	---------------------------------	--	--	---