

Job Name: 25-1110 Automated Record Fire Plus Range  
Job Location:  
Contractor: Birmingham Industrial Construction

Plant: Beaver Dam  
1/30/2026 7:52:59 AM

Tech: J. Coppage  
PC: A. Chambers



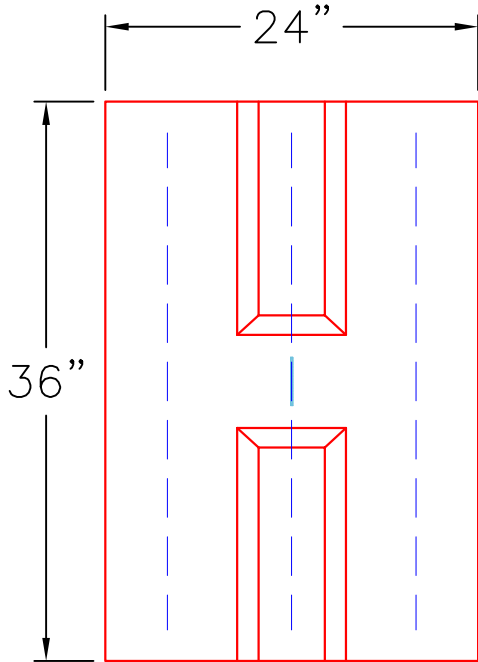
**Structure ID: SAT-2 - SAT Down Range Power Center**

**P3 BLK24X24X36B**

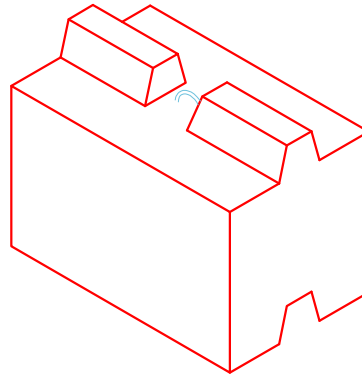
**2' x 2' x 3' Bottom Block - 2' x 2' x 3' Bottom Block - 24" x 24"**

**GENERAL NOTES:**

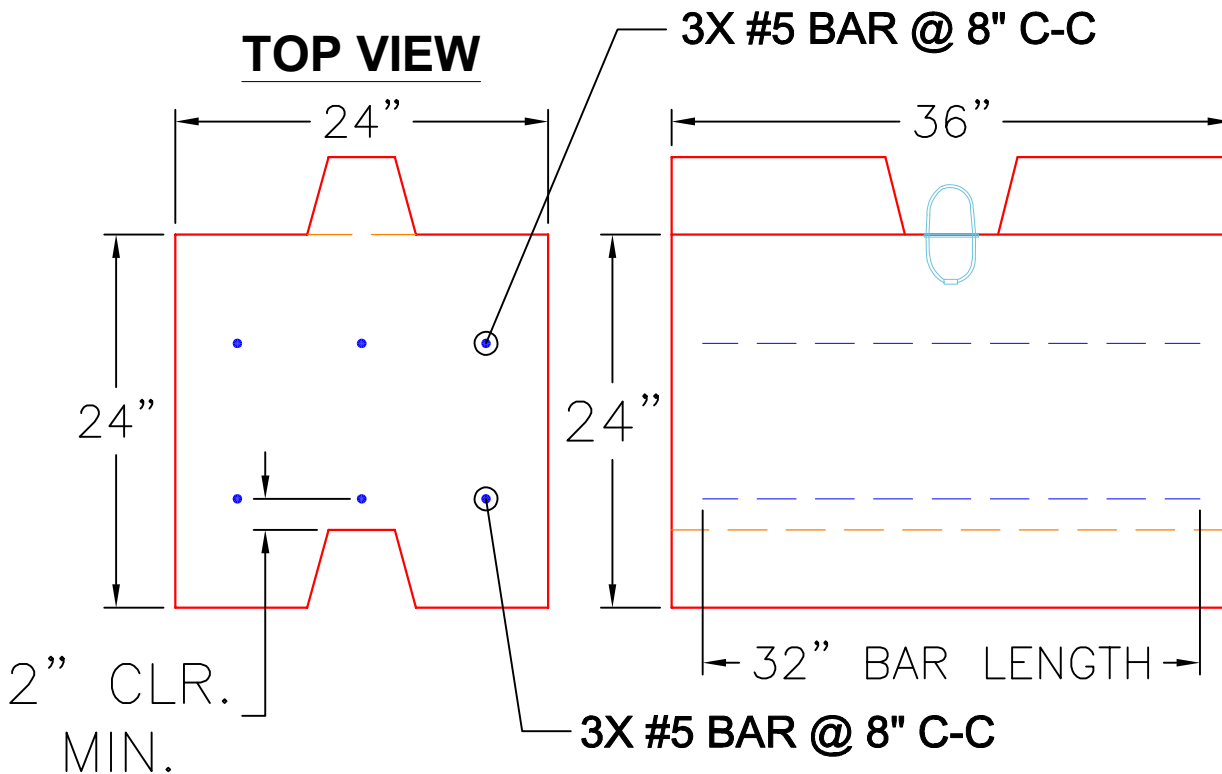
1. MANUFACTURED TO ASTM C-913 (LATEST REVISION).
2. CONCRETE: 4,000 PSI AT 28 DAYS.
3. REINFORCING: 6 X #5 BAR AS SHOWN BELOW. PER ASTM A615 (GRADE 60).
4. 1/2" CHAMFER ON ALL EXPOSED EDGES.
5. WEIGHT:  
TOTAL - 1,775 LBS EACH
6. 2 TOTAL REQUIRED
7. 5,000 LBS LIFTING ANCHOR



**TOP VIEW**



**ISO VIEW**



**FRONT VIEW**

**RIGHT SIDE**