



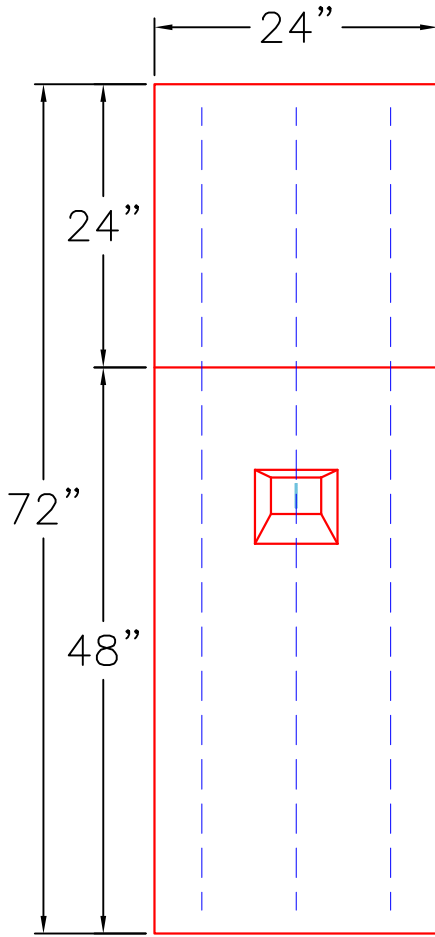
**Structure ID: SAT-2 - SAT Down Range Power Center**

**P2 BLK24X24X72TS**

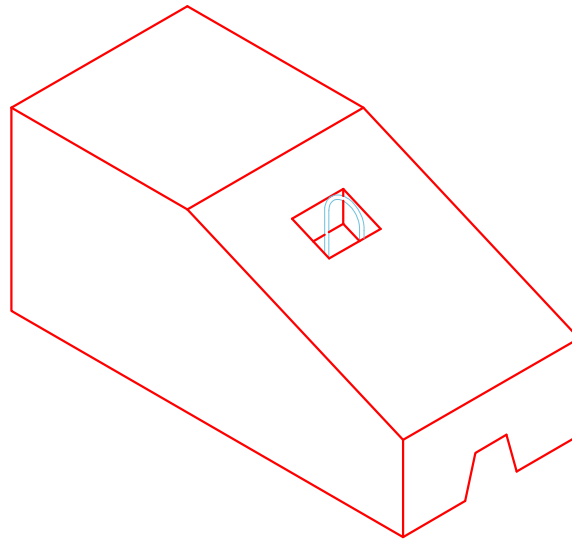
**2' x 2' x 6' Top Sloped Block - 2' x 2' x 6' Top Sloped Block - 24" x**

**GENERAL NOTES:**

1. MANUFACTURED TO ASTM C-913 (LATEST REVISION).
2. CONCRETE: 4,000 PSI AT 28 DAYS.
3. REINFORCING: 6 X #5 BAR AS SHOWN BELOW. PER ASTM A615 (GRADE 60).
4. 1/2" CHAMFER ON ALL EXPOSED EDGES.
5. WEIGHT:  
TOTAL - 2,720 LBS EACH
6. 2 TOTAL REQUIRED
7. 5,000 LBS LIFTING ANCHOR

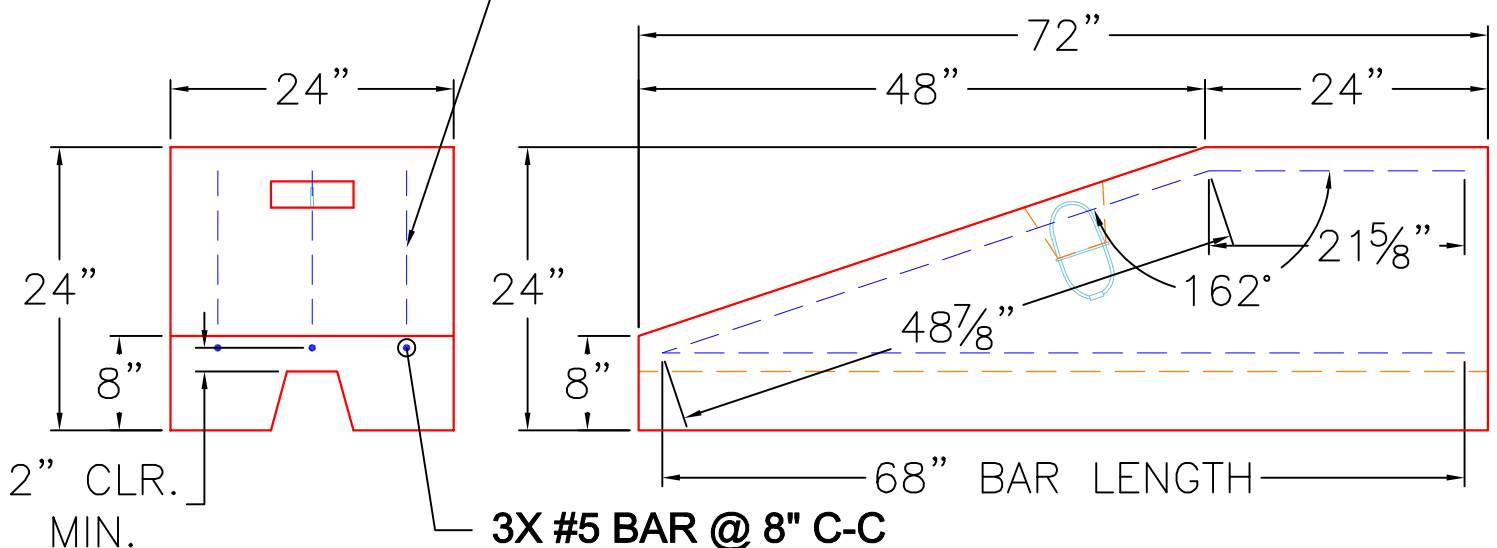


**TOP VIEW**



**ISO VIEW**

**3X #5 BAR @ 8" C-C**



**FRONT VIEW**

**RIGHT SIDE**

**3X #5 BAR @ 8" C-C**

2" CLR. MIN.