



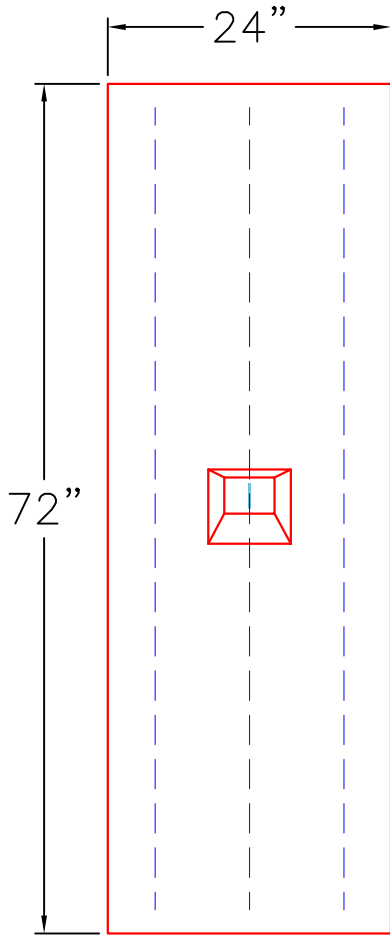
Structure ID: SAT-1 - SAT Down Range Power Center

P4 BLK24X24X72BS

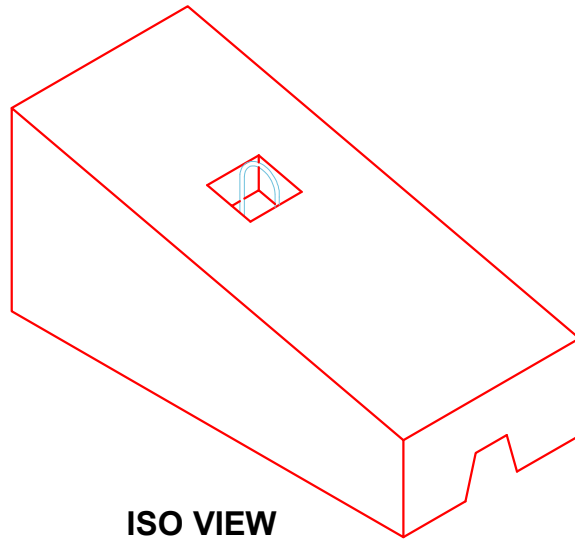
2' x 2' x 6' Bottom Sloped Block - 2' x 2' x 6' Bottom Sloped Block

GENERAL NOTES:

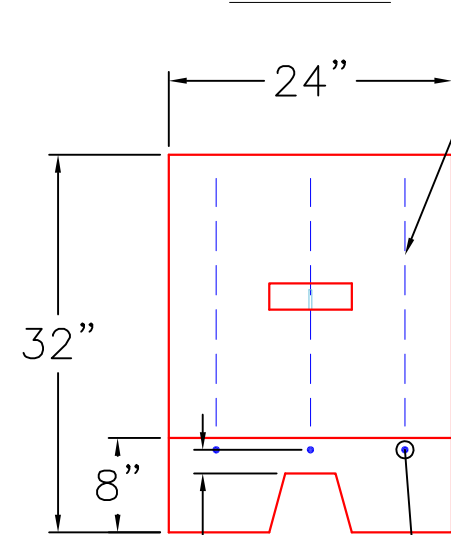
1. MANUFACTURED TO ASTM C-913 (LATEST REVISION).
2. CONCRETE: 4,000 PSI AT 28 DAYS.
3. REINFORCING: 6 X #5 BAR AS SHOWN BELOW. PER ASTM A615 (GRADE 60).
4. 1/2" CHAMFER ON ALL EXPOSED EDGES.
5. WEIGHT:
TOTAL - 2,970 LBS EACH
6. 4 TOTAL REQUIRED
7. 5,000 LBS LIFTING ANCHOR



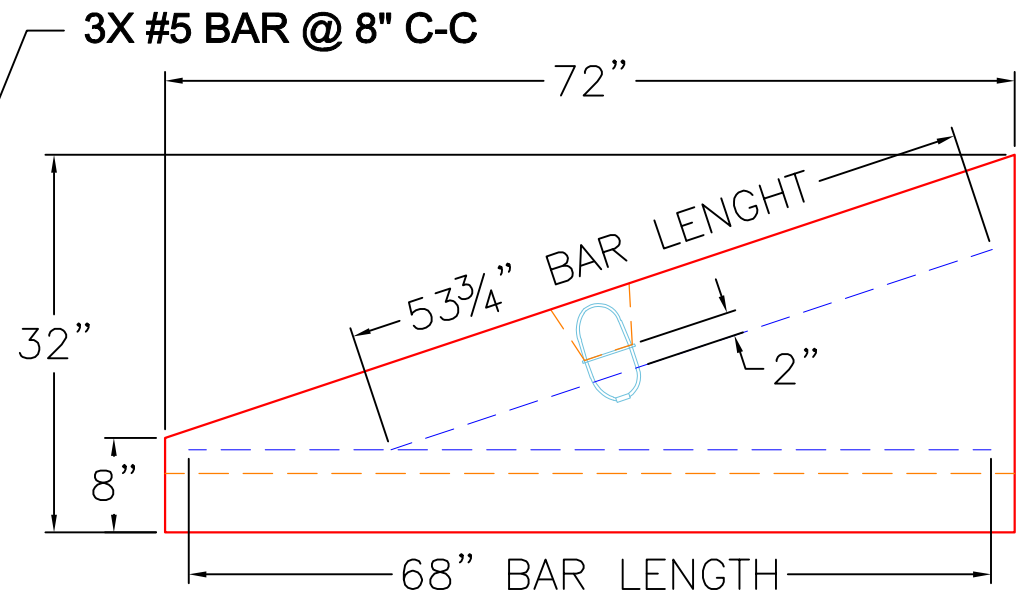
TOP VIEW



ISO VIEW



FRONT VIEW



RIGHT SIDE

2" CLR.
MIN.