



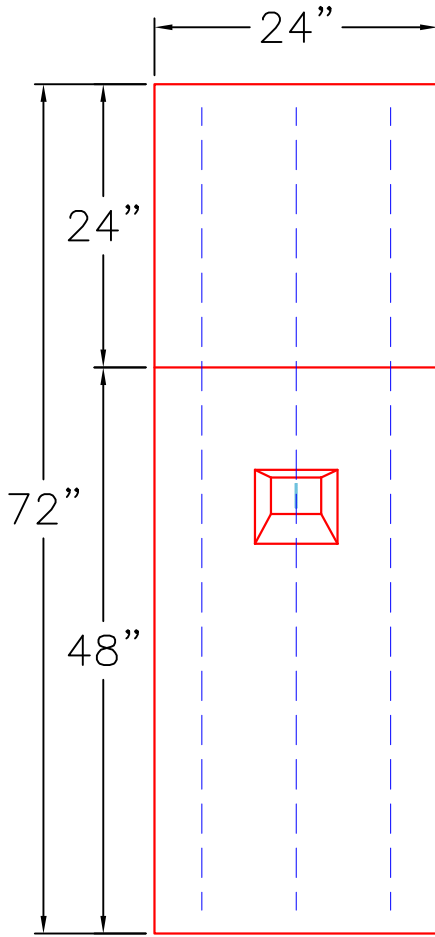
Structure ID: SAT-1 - SAT Down Range Power Center

P2 BLK24X24X72TS

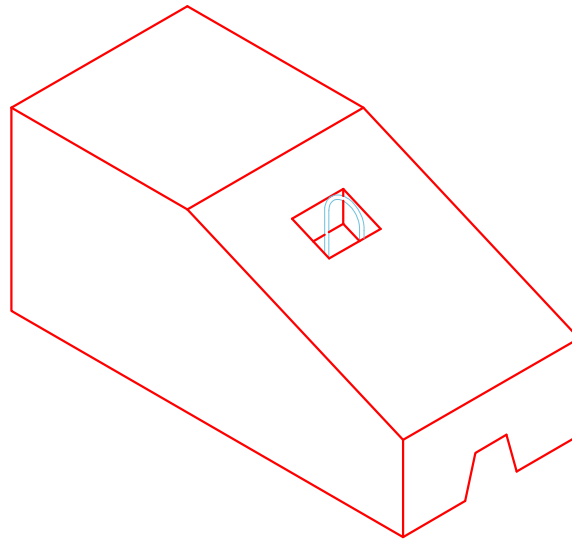
2' x 2' x 6' Top Sloped Block - 2' x 2' x 6' Top Sloped Block - 24" x

GENERAL NOTES:

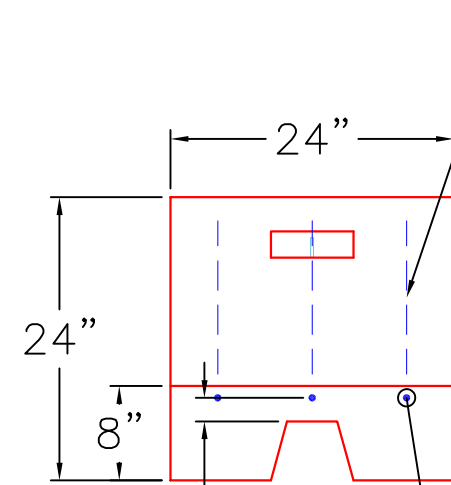
1. MANUFACTURED TO ASTM C-913 (LATEST REVISION).
2. CONCRETE: 4,000 PSI AT 28 DAYS.
3. REINFORCING: 6 X #5 BAR AS SHOWN BELOW. PER ASTM A615 (GRADE 60).
4. 1/2" CHAMFER ON ALL EXPOSED EDGES.
5. WEIGHT:
TOTAL - 2,720 LBS EACH
6. 2 TOTAL REQUIRED
7. 5,000 LBS LIFTING ANCHOR



TOP VIEW

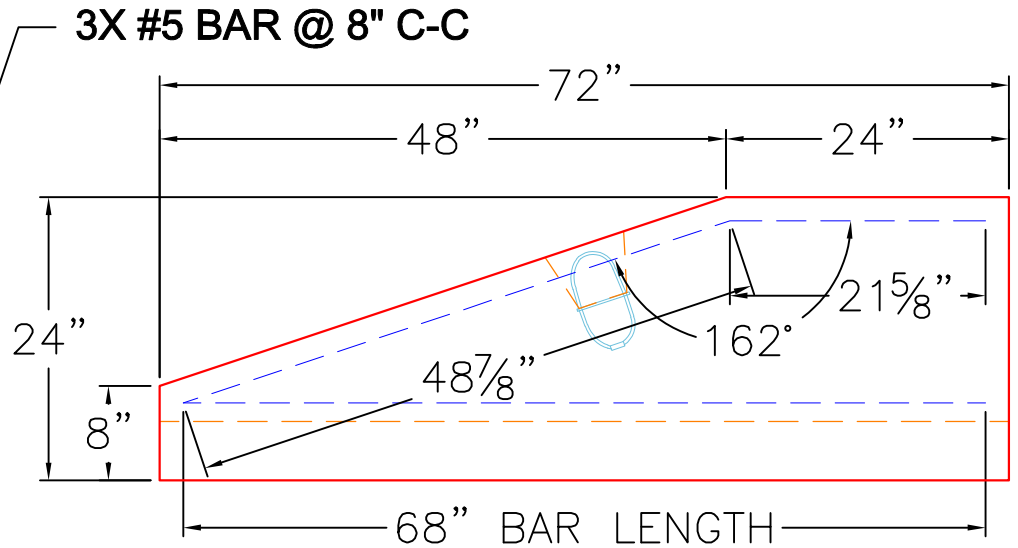


ISO VIEW



FRONT VIEW

2" CLR. MIN.



RIGHT SIDE

3X #5 BAR @ 8" C-C

68" BAR LENGTH