



Structure ID: MIT-R - MIT Modular Wall/Footing Right

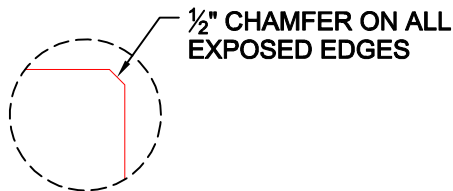
P4 CVBS

32" x 78" MIT Section D - 32" x 78" MIT Section D - 32" x 78"

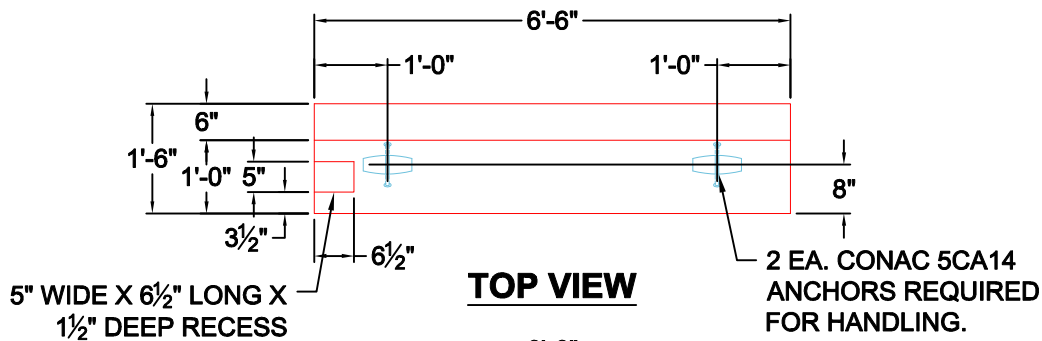
SECOND POUR DRAWING

GENERAL NOTES:

1. MANUFACTURED TO ASTM C-913 (LATEST REVISION).
2. CONCRETE: 4,000 PSI AT 28 DAYS.
3. REINFORCING: #5 BAR @ 12" C-C E.W. SEE REINFORCEMENT CUT SHEET FOR ADDITIONAL INFORMATION. PER ASTM A615 (GRADE 60).
4. 1/2" CHAMFER ON ALL EXPOSED EDGES.
5. WEIGHT:
 FIRST POUR - 707 LBS
SECOND POUR - 511 LBS
 TOTAL - 1,218 LBS EACH
6. 48 TOTAL REQUIRED



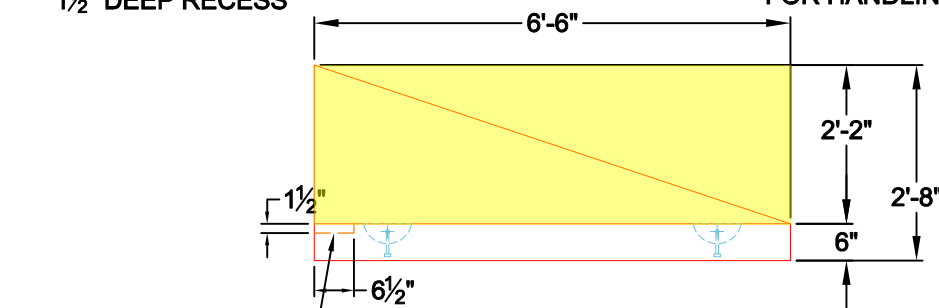
DETAIL A



TOP VIEW

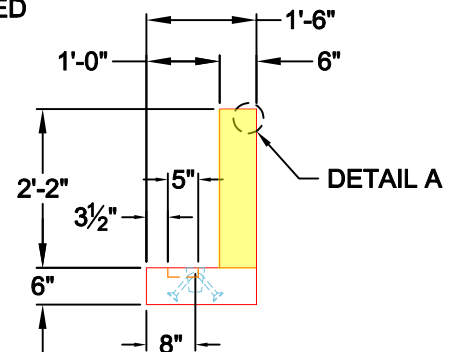
5" WIDE X 6 1/2" LONG X 1 1/2" DEEP RECESS

2 EA. CONAC 5CA14 ANCHORS REQUIRED FOR HANDLING.



FRONT VIEW

5" WIDE X 6 1/2" LONG X 1 1/2" DEEP RECESS



END VIEW

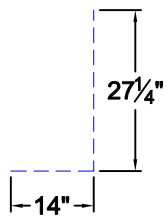
DETAIL A



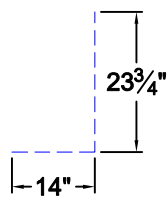
Structure ID: MIT-R - MIT Modular Wall/Footing Right

P4 CVBS

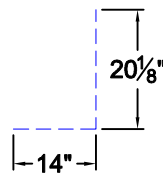
32" x 78" MIT Section D - 32" x 78" MIT Section D - 32" x 78"



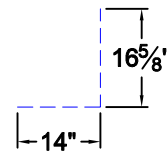
BAR - B
 #5 BAR (GRADE 60)
 TOTAL LENGTH - 41.25"
 (1) - TOTAL REQUIRED



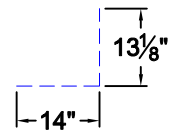
BAR - C
 #5 BAR (GRADE 60)
 TOTAL LENGTH - 37.75"
 (1) - TOTAL REQUIRED



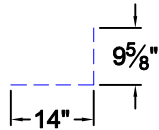
BAR - D
 #5 BAR (GRADE 60)
 TOTAL LENGTH - 34.125"
 (1) - TOTAL REQUIRED



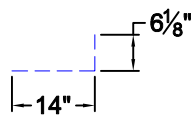
BAR - E
 #5 BAR (GRADE 60)
 TOTAL LENGTH - 30.625"
 (1) - TOTAL REQUIRED



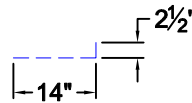
BAR - F
 #5 BAR (GRADE 60)
 TOTAL LENGTH - 27.125"
 (1) - TOTAL REQUIRED



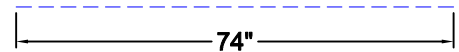
BAR - G
 #5 BAR (GRADE 60)
 TOTAL LENGTH - 23.625"
 (1) - TOTAL REQUIRED



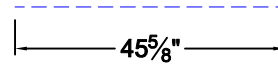
BAR - H
 #5 BAR (GRADE 60)
 TOTAL LENGTH - 20.125"
 (1) - TOTAL REQUIRED



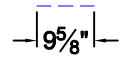
BAR - I
 #5 BAR (GRADE 60)
 TOTAL LENGTH - 16.5"
 (1) - TOTAL REQUIRED



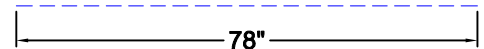
BAR - A
 #5 BAR (GRADE 60)
 (3) - TOTAL REQUIRED



BAR - J
 #5 BAR (GRADE 60)
 (1) - TOTAL REQUIRED

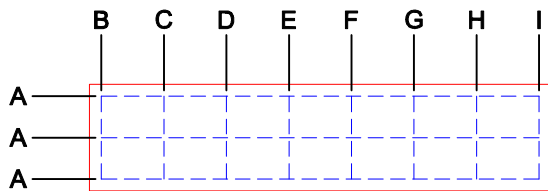


BAR - K
 #5 BAR (GRADE 60)
 (1) - TOTAL REQUIRED

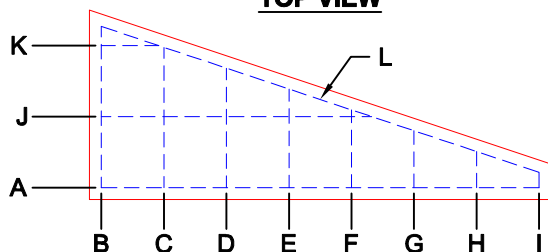


BAR - L
 #5 BAR (GRADE 60)
 (1) - TOTAL REQUIRED

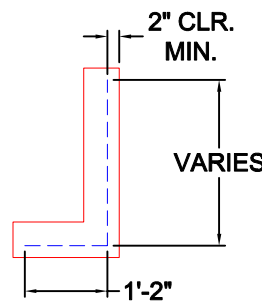
REINFORCEMENT CUT SHEET



TOP VIEW



FRONT VIEW



END VIEW

GENERAL NOTES:

1. MANUFACTURED TO ASTM C-913 (LATEST REVISION).
2. CONCRETE: 4,000 PSI AT 28 DAYS.
3. REINFORCING: #5 BAR @ 12" C-C E.W. SEE REINFORCEMENT CUT SHEET FOR ADDITIONAL INFORMATION. PER ASTM A615 (GRADE 60).
4. 1/2" CHAMFER ON ALL EXPOSED EDGES.
5. WEIGHT:
 FIRST POUR - 707 LBS
 SECOND POUR - 511 LBS
 TOTAL - 1,218 LBS EACH
6. 48 TOTAL REQUIRED