

**Job Name: 25-1026 Thompson's Station WWTP (Ph. 2)**

**Job Location: Thompson's Station**

**Contractor: W&O Construction**

PC: A. Chambers

TECH: J. Coppage

Plant: Beaver Dam



Structure ID: **SSMH-B**

Spec: Sanitary-Xypex  
Type: Manhole  
Size: 48"

Rim: 738'  
Invert: 719.4'  
Rim to Invert: 18.6'

Sump: 2"  
Floor (Top): 719.233'  
Floor Height: 6"

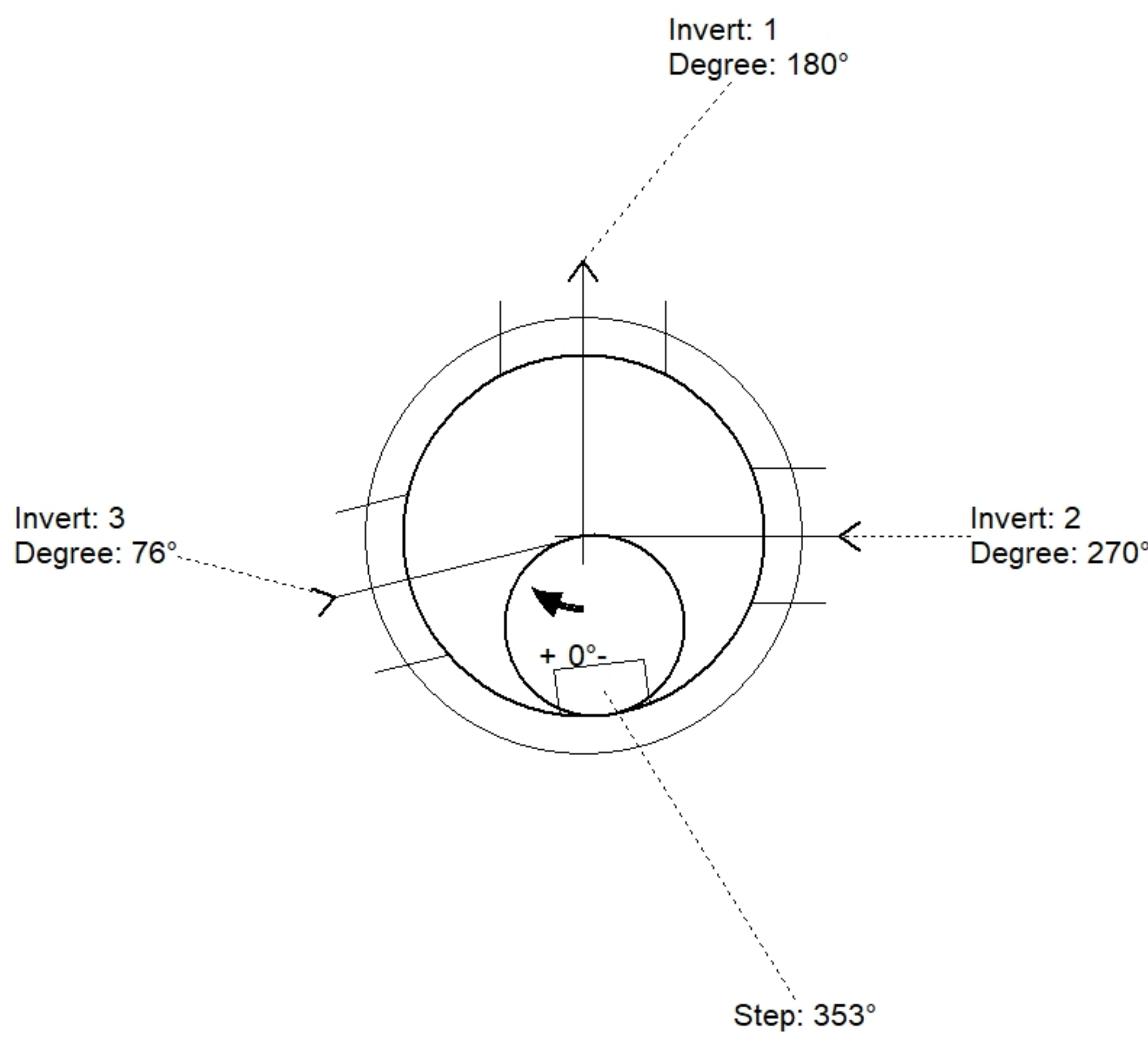
Floor (Bot): 718.733'  
Overall Height: 19.083'  
Slack: 2.2"

Structure Notes:

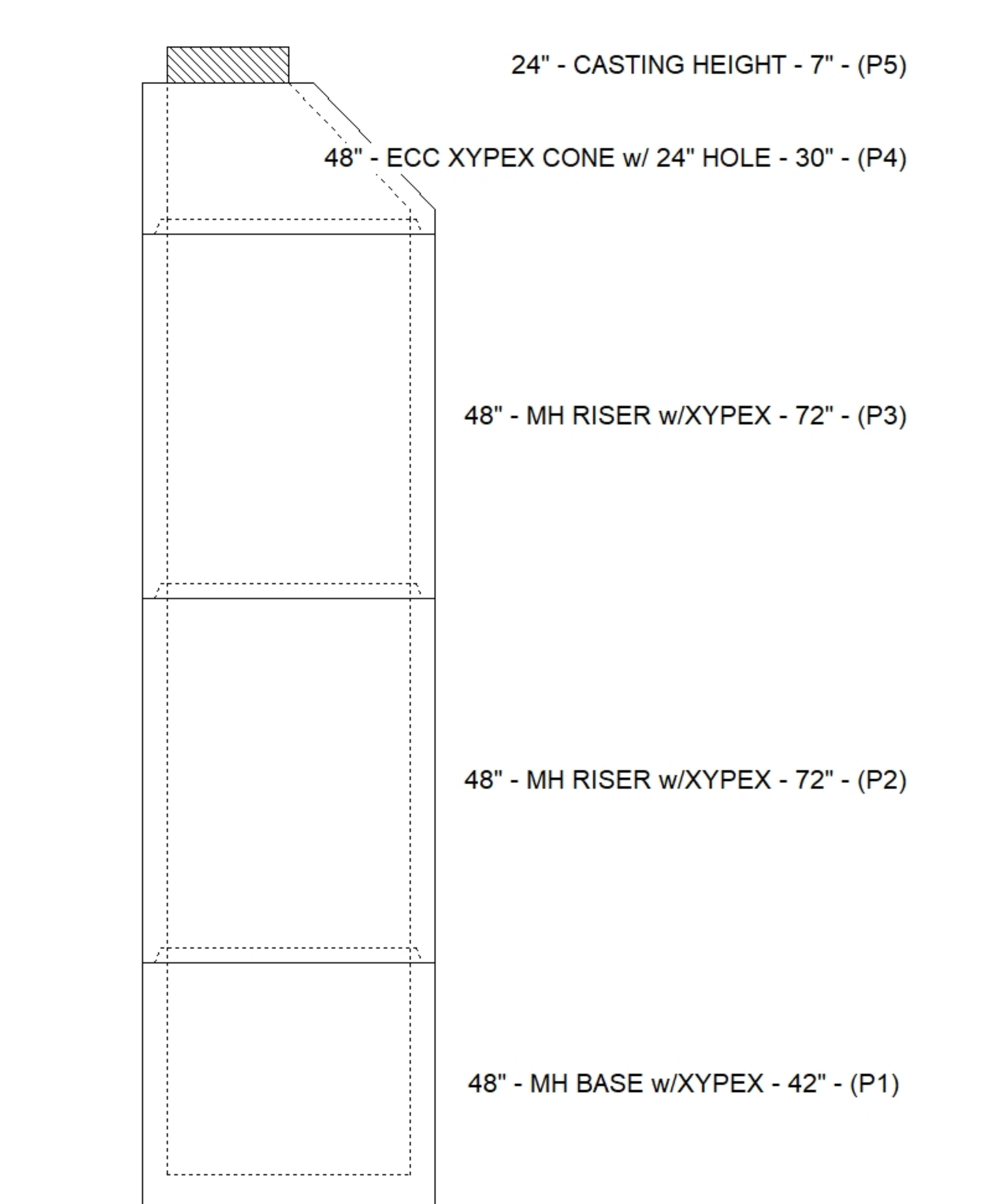
1. JBS-1150 SANITARY PROVIDED BY ICAST.
2. PER ASTM C478 SPECIFICATIONS.
3. CONCRETE = 4,000 PSI AT 28 DAYS.
4. REINFORCING PER ASTM A615 (GRADE 60).
  - CONE (As .12)
  - RISER/WALLS (As .12)
  - FLOOR (As .31) #5 BARS AT 12" C.C.E.W.

STRUCTURE SUMMARY:

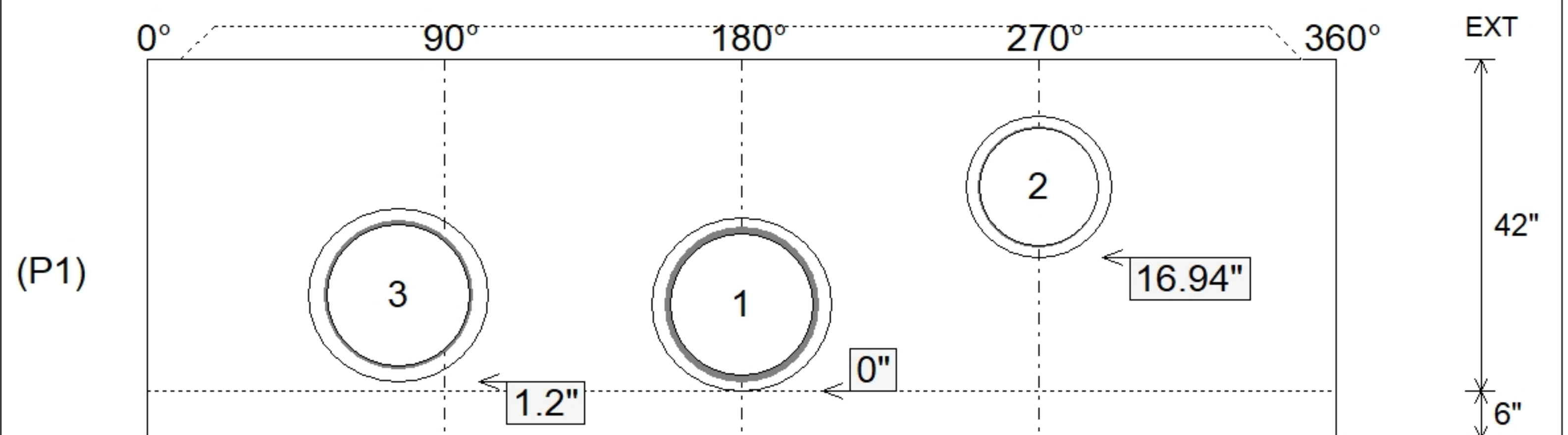
P5) 24" - CASTING HEIGHT - 7"	0 lb
P4) 48" - ECC XYPEX CONE w/ 24" HOLE - 30"	1981 lb
P3) 48" - MH RISER w/XYPEX - 72"	5030 lb
P2) 48" - MH RISER w/XYPEX - 72"	5030 lb
P1) 48" - MH BASE w/XYPEX - 42"	3826 lb
1) JOINT WRAP - 0.065"x6"x50' CONSEAL CS212	0 lb
1) JOINT WRAP PRIMER - CONSEAL CS-75 (1 gal.)	0 lb
1) 48" - MH INVERT CHANNEL w/XYPEX - FULL HEIGHT	1440 lb
1) CASTING - JBS 1150 F/C SANITARY	250 lb
3) 48" - Conseal CS-102 1.00" (Double)	0 lb
1) Kor-N-Seal2 - S206-22L	6 lb
1) Kor-N-Seal2 - S206-18L	6 lb
1) Kor-N-Seal2 - S206-22	6 lb
<b>Structure Total:</b>	<b>17576 lb</b>



Position	Elev	Angle	Pipe	Pipe OD	Hole	Connector	Up (")	Ref
Rim	738'							
Reducer								
Invert 1	719.4'	180°	18" DI	19.5"	22"	Kor-N-Seal2 S206-22L	0"	P1
Invert 2	720.77'	270°	15" PVC SDR35	15.3"	18"	Kor-N-Seal2 S206-18L	16.94"	P1
Invert 3	719.5'	76°	18" PVC SDR35	18.75"	22"	Kor-N-Seal2 S206-22	1.2"	P1
Invert 4								
Invert 5								
Invert 6								
Invert 7								
Invert 8								



**Default - Interior Dimensions**



Submittal Drawing  
11/18/2025 7:36:14 AM

SUBMITTAL  
APPROVED BY: