

Job Name: 25-1026 Thompson's Station WWTP (Ph. 2)

Job Location: Thompson's Station

Contractor: W&O Construction

PC: A. Chambers

TECH: J. Coppage

Plant: Beaver Dam



Structure ID: **ARV**

Spec: Sanitary-Xypex
Type: DH Manhole
Size: 72"

Rim: 738'
Invert: 732'
Rim to Invert: 6'

Sump: 5"
Floor (Top): 731.583'
Floor Height: 0"

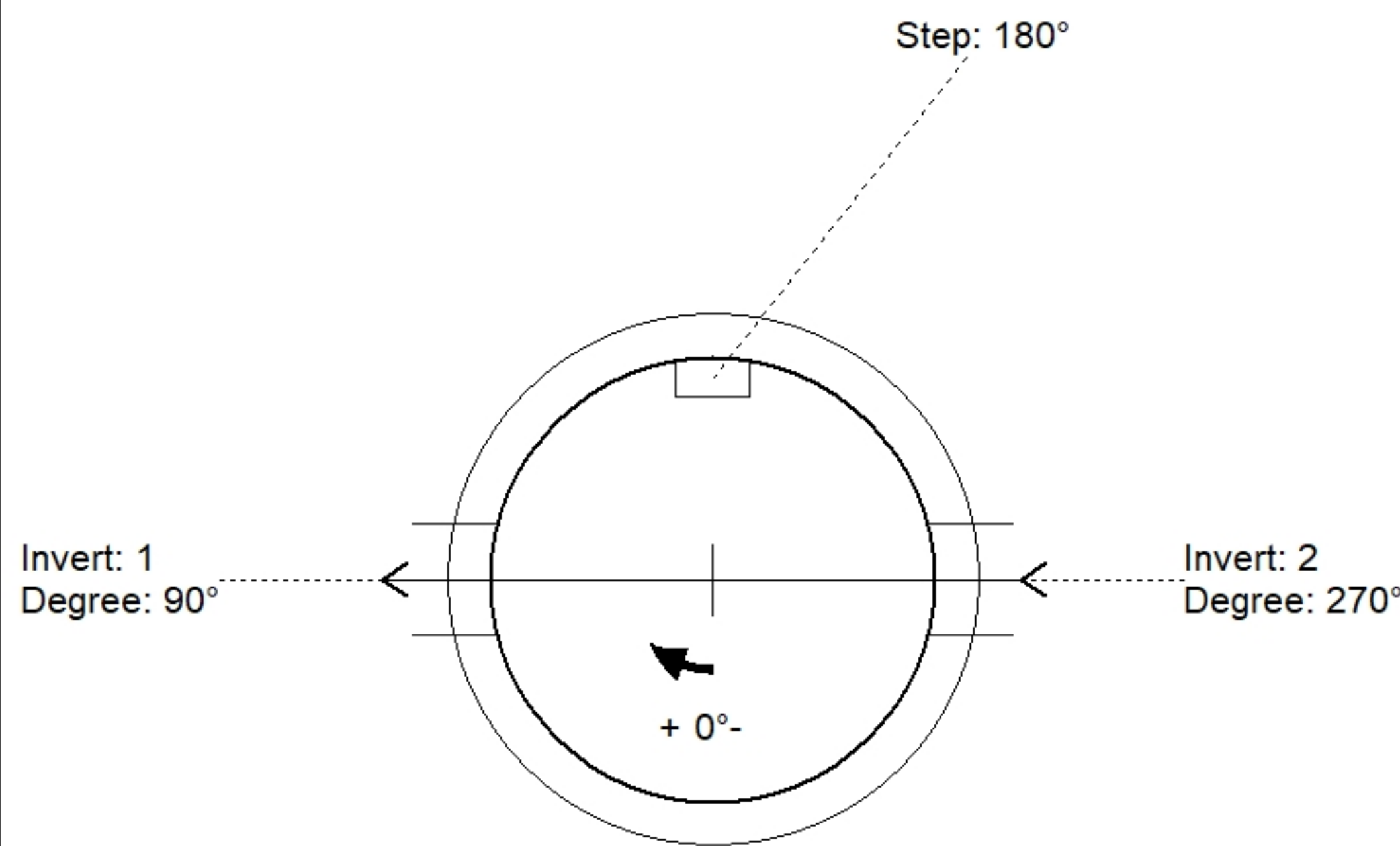
Floor (Bot): 731.583'
Overall Height: 6.417'
Slack: 0"

Structure Notes:

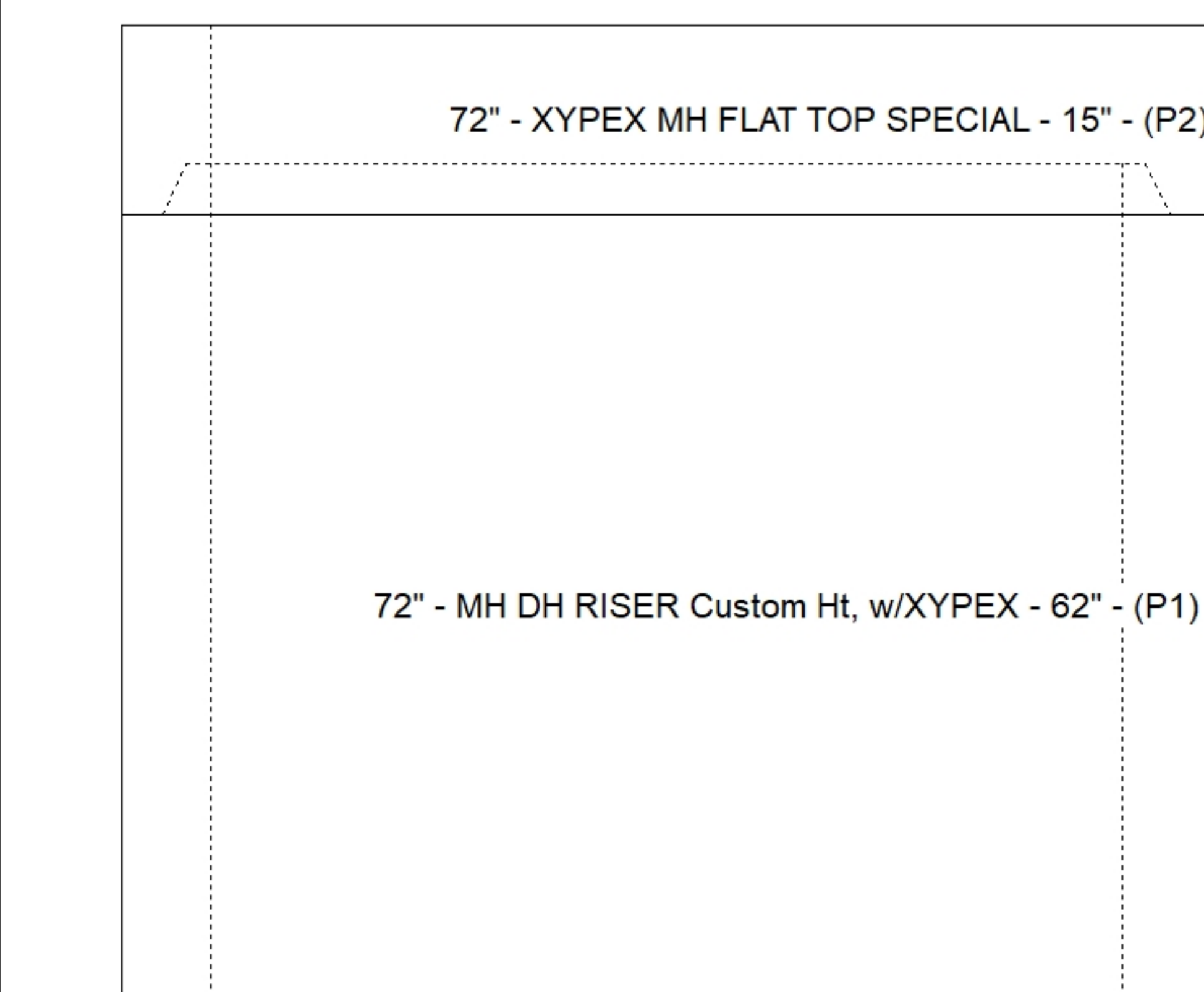
1. JBS-1154 SANITARY PROVIDED BY ICAST.
2. PER ASTM C478 SPECIFICATIONS.
3. CONCRETE = 4,000 PSI AT 28 DAYS.
4. REINFORCING PER ASTM A615 (GRADE 60).
 - TOP SLAB (As .62) #5 BARS AT 6" C.C.E.W..
 - RISER/WALLS (As .18)
 - FLOOR (As .37) #5 BARS AT 10" C.C.E.W.
5. CASTING FRAME TO BE CAST INTO THE TOP SLAB.

STRUCTURE SUMMARY:

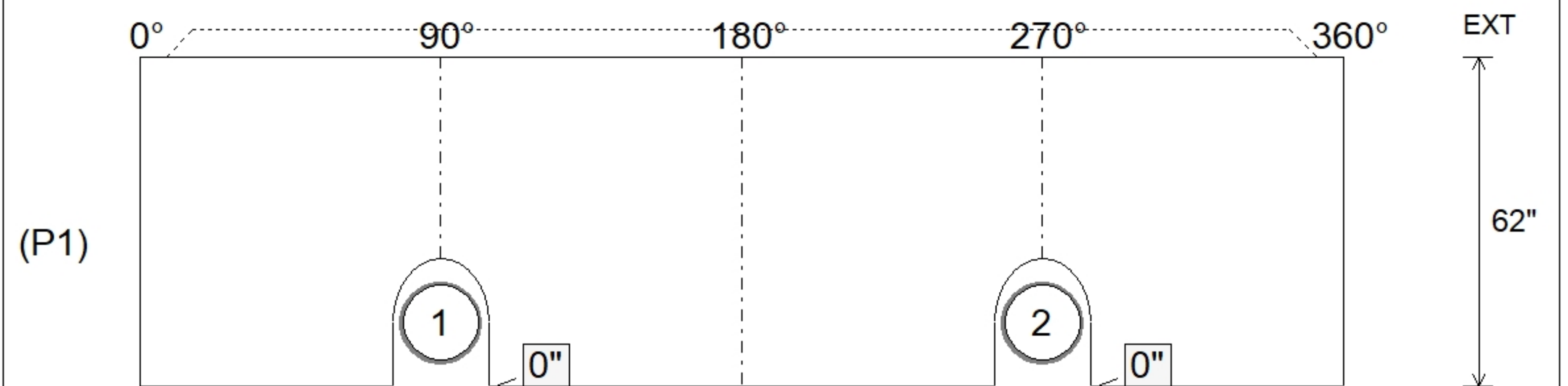
P2) 72" - XYPEX MH FLAT TOP SPECIAL - 15"	7311 lb
P1) 72" - MH DH RISER Custom Ht, w/XYPEX - 62"	8581 lb
1) CASTING - JBS 1154 F/C SANITARY	250 lb
1) 72" - Conseal CS-102 1.00" (Double)	0 lb
2) DOGHOUSE - 18"x24"	0 lb
Structure Total:	16143 lb



Position	Elev	Angle	Pipe	Pipe OD	Hole	Connector	Up ()	Ref
Rim	738'							
Reducer								
Invert 1	732'	90°	14" DI	15.3"	18" x 24"	DOGHOUSE 18"x24"	0"	P1
Invert 2	732'	270°	14" DI	15.3"	18" x 24"	DOGHOUSE 18"x24"	0"	P1
Invert 3								
Invert 4								
Invert 5								
Invert 6								
Invert 7								
Invert 8								



Default - Interior Dimensions



Submittal Drawing
11/18/2025 7:36:16 AM

SUBMITTAL
APPROVED BY: