

Job Name: 25-1021 - 1220 N. 5TH Street
Job Location: Nashville, TN
Contractor: Hayes Pipe Supply

PC: E. Bradley
 TECH: J. Horsley
 Plant: 100



Structure ID: **OS2**
 Spec: Storm
 Type: BX 6inW, 6inF
 Size: 28" x 28"

Rim: 476.53'
 Invert: 471.53'
 Rim to Invert: 5'

Sump: 0"
 Floor (Top): 471.53'
 Floor Height: 6"

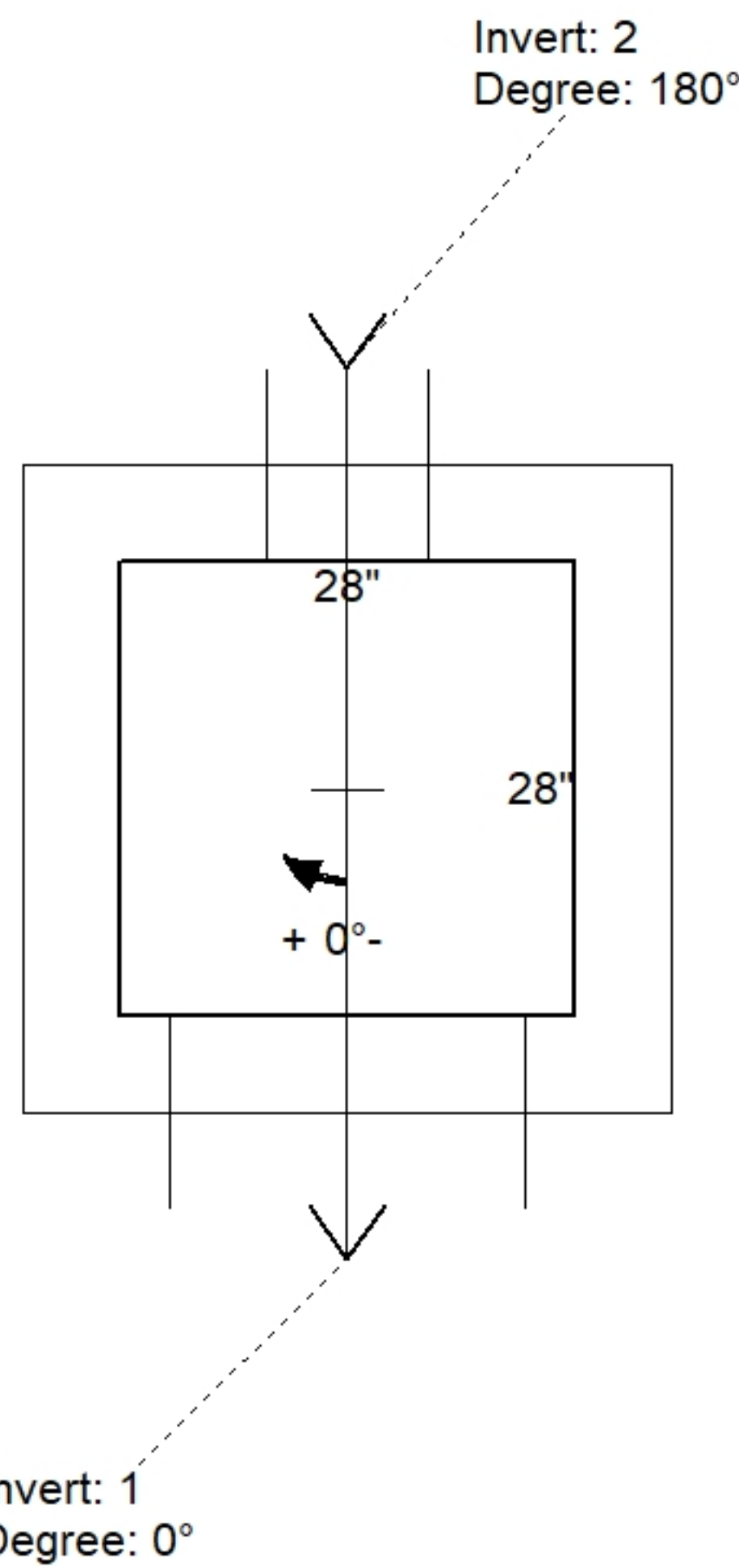
Floor (Bot): 471.03'
 Overall Height: 5.5'
 Slack: 0"

Structure Notes:

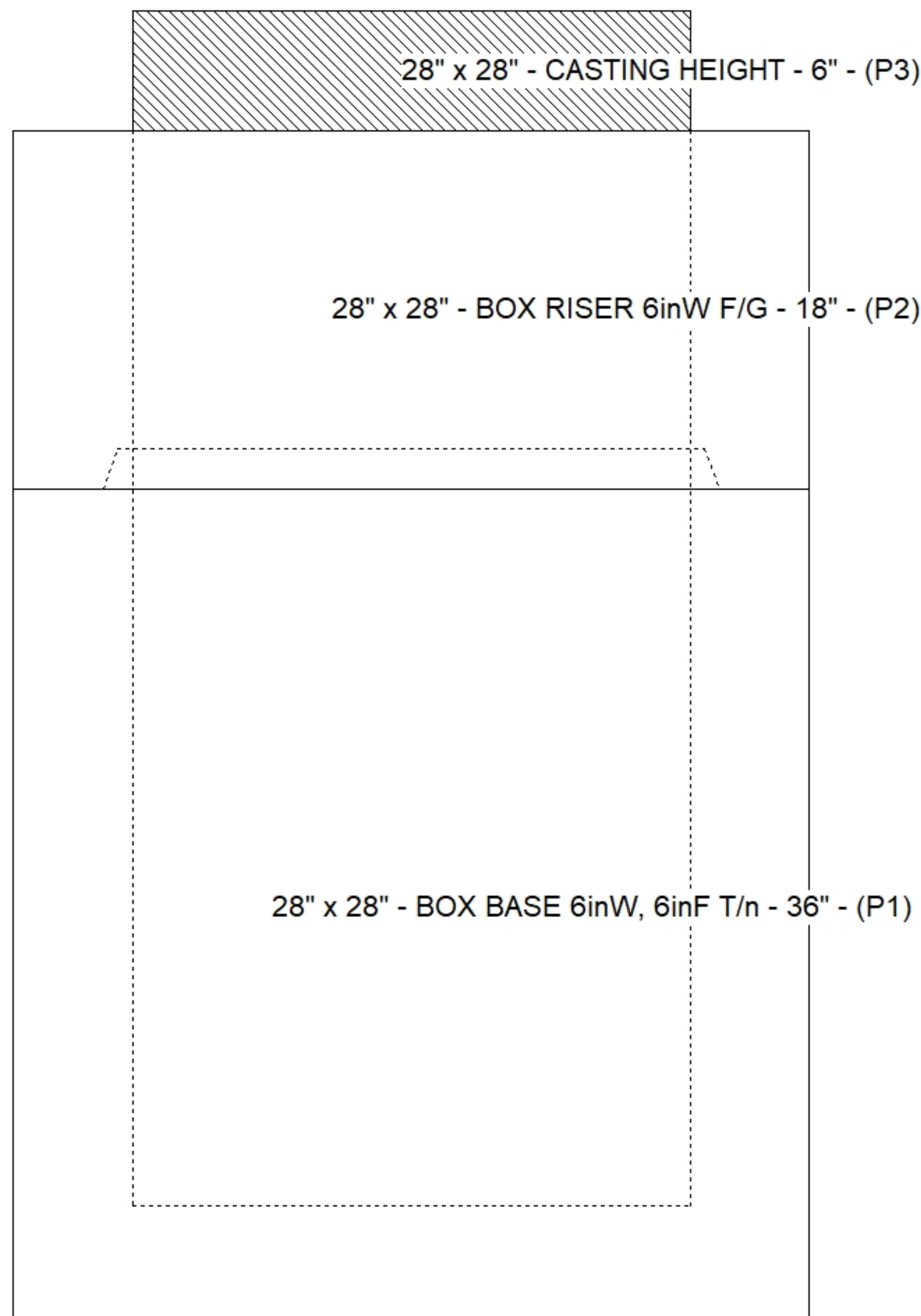
- PER ASTM C913 SPECIFICATIONS.
 - CONCRETE = 4,000 PSI AT 28 DAYS.
 - NO STEPS & NO INVERT CHANNEL.
 - CASTING BY OTHERS (JBS 4300 F/G/H).
- REINFORCING PER ASTM A615 (GRADE 60).
 - WALLS (As .12) #5 BARS AT 12" C.C.E.W.
 - FLOOR (As .12) #5 BARS AT 12" C.C.E.W.

STRUCTURE SUMMARY:

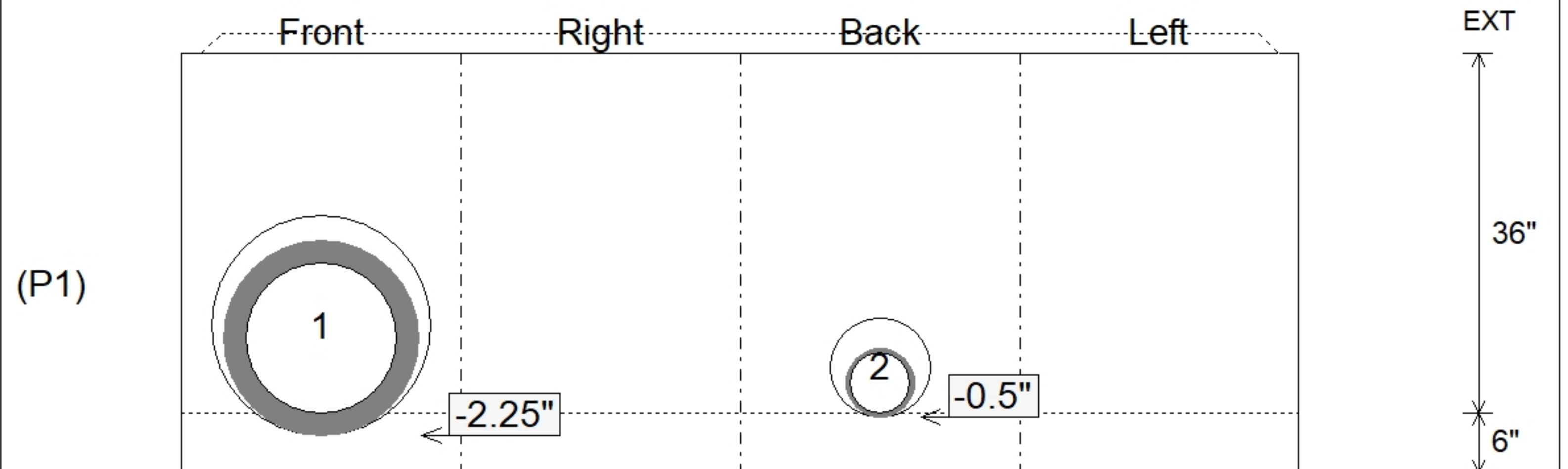
P3) 28" x 28" - CASTING HEIGHT - 6"	0 lb
P2) 28" x 28" - BOX RISER 6inW F/G - 18"	1232 lb
P1) 28" x 28" - BOX BASE 6inW, 6inF T/n - 36"	3040 lb
1) CASTING - JBS 4300 F/G	500 lb
2) 28" x 28" - Conseal CS-102 1.00"	0 lb
1) Hole - 22	0 lb
1) Hole - 10	0 lb
Structure Total:	4772 lb



Position	Elev	Angle	Pipe	Pipe OD	Hole	Connector	Up ()	Ref
Rim	476.53'							
Reducer								
Invert 1	471.53'	0°	15" RCP B WALL	19.5"	22"	Hole 22	-2.25"	P1
Invert 2	471.53'	180°	6" HDPE (perf pipe)	6.9"	10"	Hole 10	-0.5"	P1
Invert 3								
Invert 4								
Invert 5								
Invert 6								
Invert 7								
Invert 8								



Cast (Int. Dim.) - Interior Dimensions



Submittal Drawing
 2/6/2026 3:36:03 PM

SUBMITTAL
 APPROVED BY: