

Job Name: 25-1021 - 1220 N. 5TH Street
 Job Location: Nashville, TN
 Contractor: Hayes Pipe Supply

Plant: 100
 2/6/2026 3:37:26 PM

Tech: J. Horsley
 PC: E. Bradley



Structure ID: CB3

P2 MH048LD12S

MH FLAT TOP w/30"x30" Hole F/G

- P3) 30" x 30" - CASTING HEIGHT - 6"
- P2) 48" - MH FLAT TOP w/30"x30" Hole F/G - 12"
- P1) 48" - MH BASE Custom Ht T/n - 53"
- 1) CASTING - JBS 3101V Single Set (F/G/H)
- 1) 48" - Conseal CS-102 1.00"
- 1) 30" x 30" - Conseal CS-102 1.00"
- 2) Hole - 22
- 4) MH Step ML-10-TDS-NCR - 10"

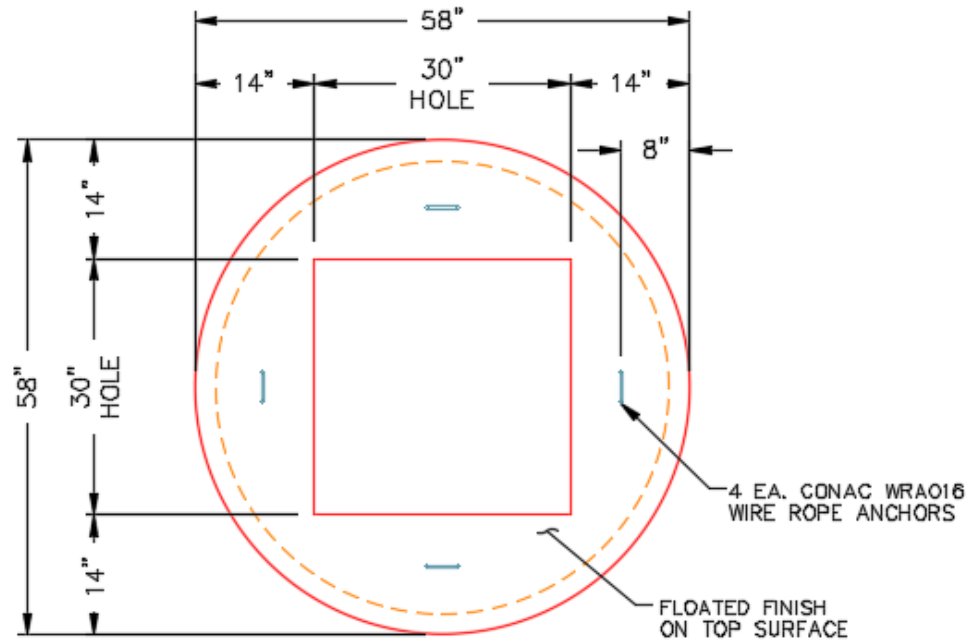
	0 lb
	1350 lb
	4703 lb
	619 lb
	0 lb
	0 lb
	0 lb
	0 lb
	0 lb
Structure Total:	6672 lb

Structure Notes:

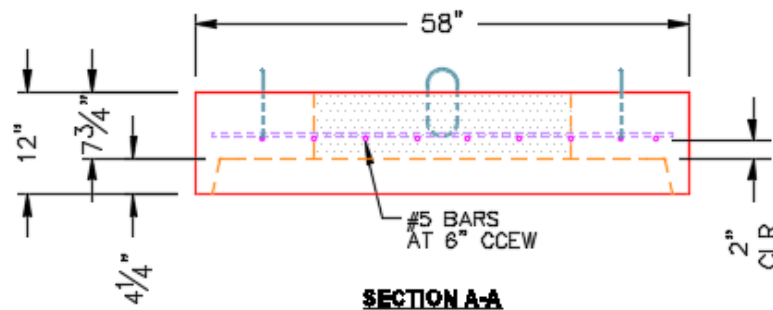
1. PER ASTM C478 SPECIFICATIONS.
2. CONCRETE = 4,000 PSI AT 28 DAYS.
3. CASTING BY OTHERS (JBS 3101-V F/G/H).

REINFORCING PER ASTM A615 (GRADE 60).

- TOP SLAB (As .62) #5 BARS AT 6" C.C.E.W.
- RISER/WALLS (As .12)
- FLOOR (As .31) #5 BARS AT 12" C.C.E.W.



PLAN VIEW



SECTION A-A

Coating (Int):
 Coating (Ext):

Seam Up: Flat
 Seam Dn: Groove

Wall Thickness: 5"

Height (Ext): 12"

Weight (Net): 1350 lb
 Volume (Net): 0.33cu.yd