

Job Name: 25-1021 - 1220 N. 5TH Street
 Job Location: Nashville, TN
 Contractor: Hayes Pipe Supply

Plant: 100
 2/6/2026 3:37:26 PM

Tech: J. Horsley
 PC: E. Bradley



Structure ID: CB2

P4 GR30x30x6x3

GRADE RING F/F

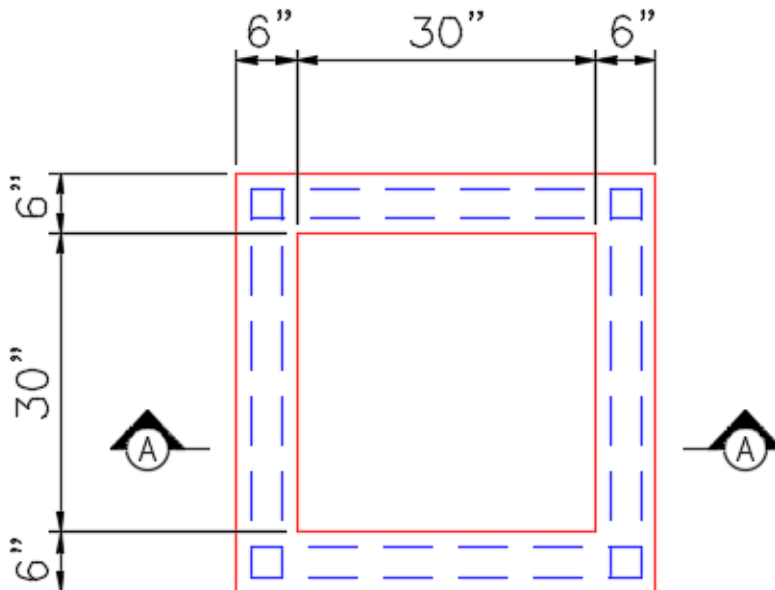
- P5) 30" x 30" - CASTING HEIGHT - 6"
- P4) 30" x 30" - GRADE RING F/F - 3"
- P3) 48" - MH FLAT TOP w/30"x30" Hole F/G - 12"
- P2) 48" - MH RISER T/G - 24"
- P1) 48" - MH BASE T/n - 60"
- 1) CASTING - JBS 3101V Single Set (F/G/H)
- 2) 48" - Conseal CS-102 1.00"
- 1) 30" x 30" - Conseal CS-102 1.00"
- 2) Hole - 22
- 7) MH Step ML-10-TDS-NCR - 10"

0 lb
 218 lb
 1350 lb
 1677 lb
 5192 lb
 619 lb
 0 lb
 0 lb
 0 lb
 0 lb

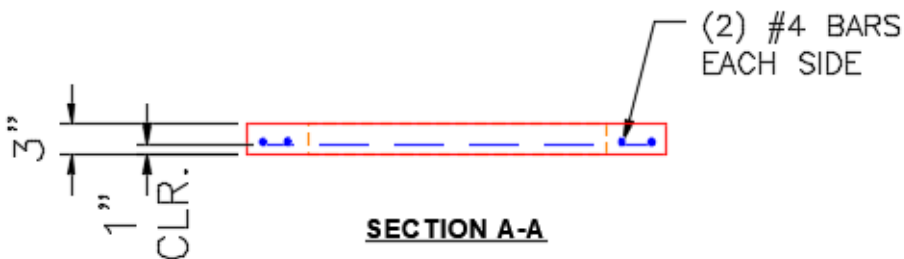
 Structure Total: 9056 lb

Structure Notes:
 1. PER ASTM C478 SPECIFICATIONS.
 2. CONCRETE = 4,000 PSI AT 28 DAYS.
 3. CASTING BY OTHERS (JBS 3101-V F/G/H).

REINFORCING PER ASTM A615 (GRADE 60).
 - TOP SLAB (As .62) #5 BARS AT 6" C.C.E.W..
 - RISER/WALLS (As .12)
 - FLOOR (As .31) #5 BARS AT 12" C.C.E.W.



PLAN VIEW



SECTION A-A

Coating (Int):
 Coating (Ext):

Seam Up: Flat
 Seam Dn: Flat

Wall Thickness: 6"

Height (Ext): 3"

Weight (Net): 217 lb
 Volume (Net): 0.06cu.yd