

**Job Name: 25-1021 - 1220 N. 5TH Street**  
**Job Location: Nashville, TN**  
**Contractor: Hayes Pipe Supply**

PC: E. Bradley  
 TECH: J. Horsley  
 Plant: 100



Structure ID: CB1  
 Spec: Storm  
 Type: STM.MH  
 Size: 48"

Rim: 470'  
 Invert: 462.95'  
 Rim to Invert: 7.05'

Sump: 2.25"  
 Floor (Top): 462.763'  
 Floor Height: 6"

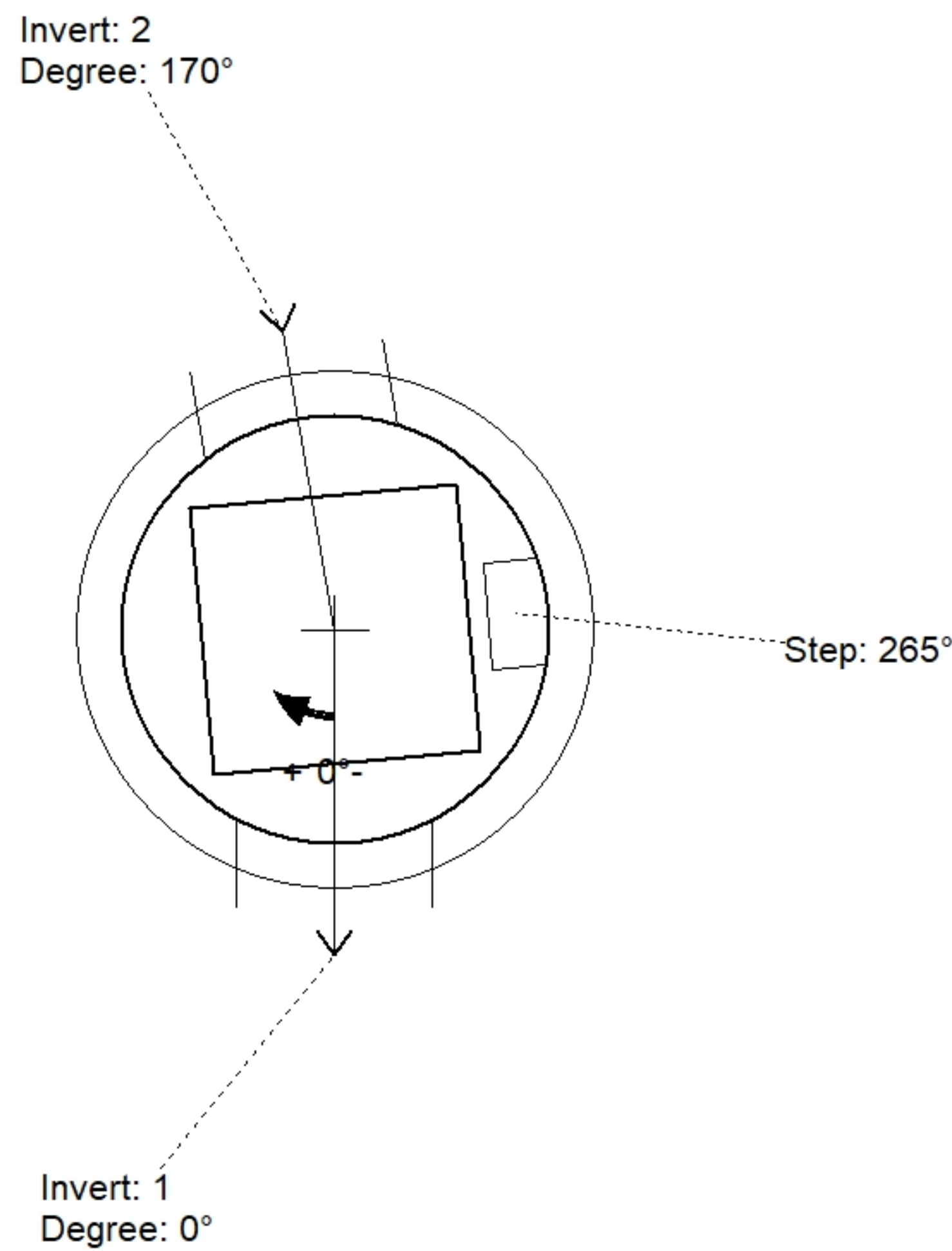
Floor (Bot): 462.263'  
 Overall Height: 7.667'  
 Slack: 0.85"

**Structure Notes:**

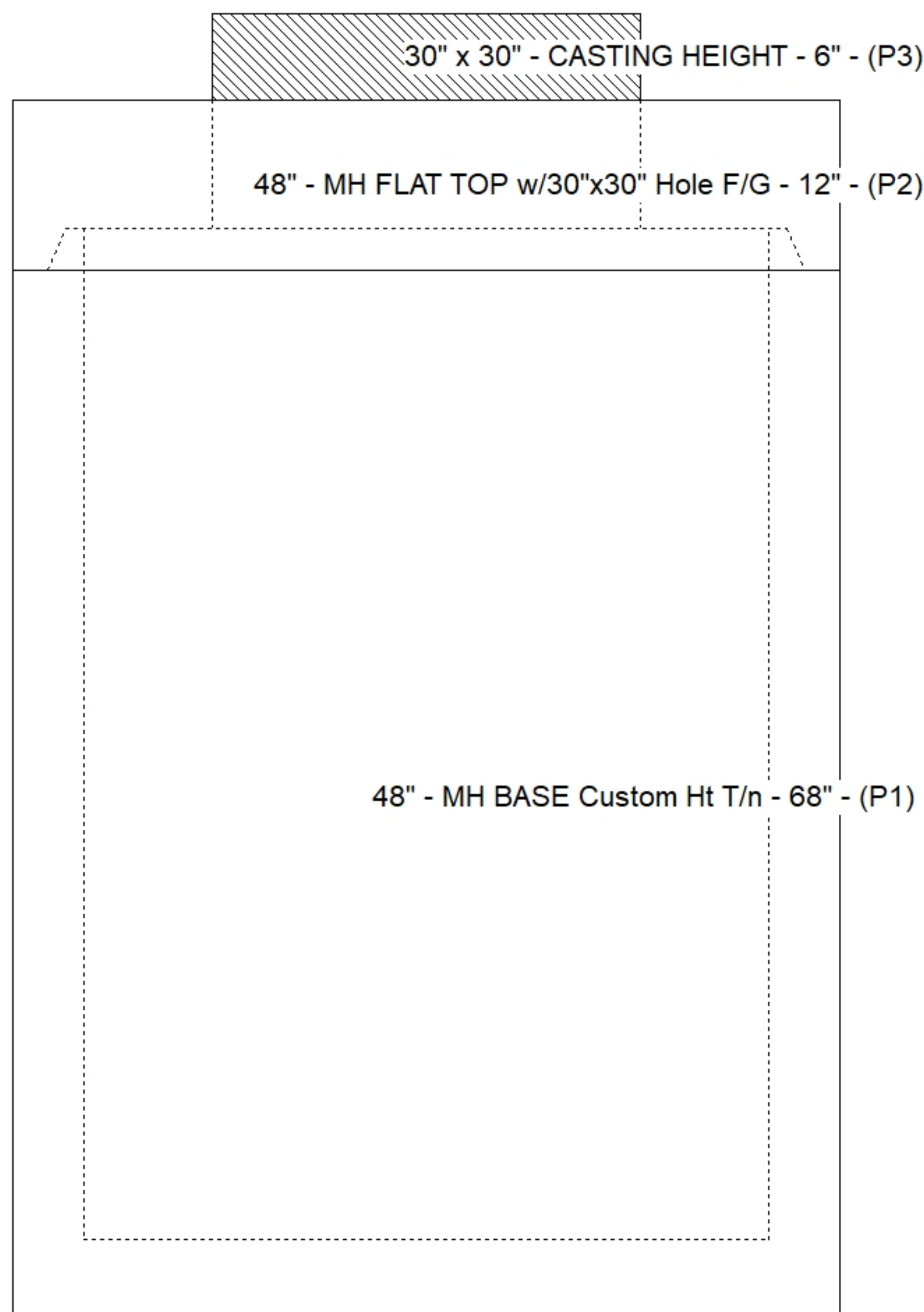
- PER ASTM C478 SPECIFICATIONS.
  - CONCRETE = 4,000 PSI AT 28 DAYS.
  - CASTING BY OTHERS (JBS 3101-V F/G/H).
- REINFORCING PER ASTM A615 (GRADE 60).  
 - TOP SLAB (As .62) #5 BARS AT 6" C.C.E.W..  
 - RISER/WALLS (As .12)  
 - FLOOR (As .31) #5 BARS AT 12" C.C.E.W.

**STRUCTURE SUMMARY:**

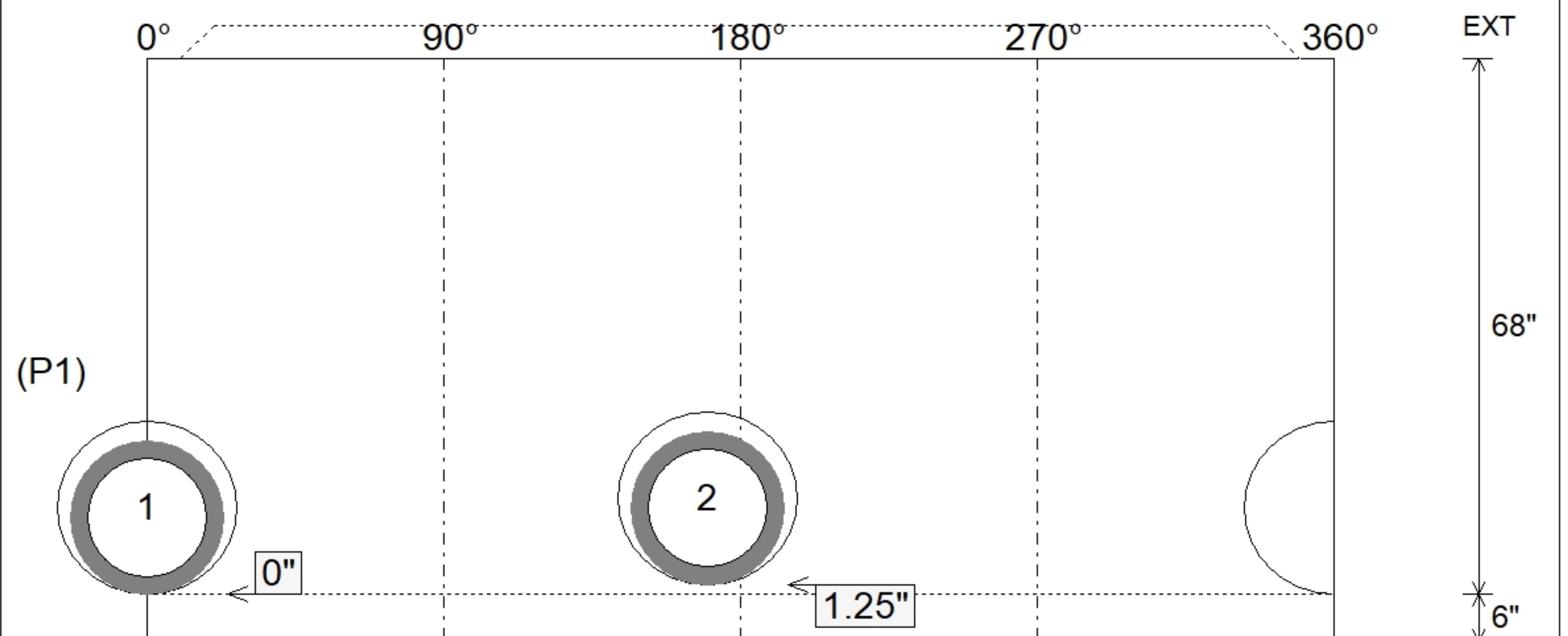
P3) 30" x 30" - CASTING HEIGHT - 6"	0 lb
P2) 48" - MH FLAT TOP w/30"x30" Hole F/G - 12"	1350 lb
P1) 48" - MH BASE Custom Ht T/n - 68"	5751 lb
1) CASTING - JBS 3101V Single Set (F/G/H)	619 lb
1) 48" - Conseal CS-102 1.00"	0 lb
1) 30" x 30" - Conseal CS-102 1.00"	0 lb
2) Hole - 22	0 lb
5) MH Step ML-10-TDS-NCR - 10"	0 lb
<b>Structure Total:</b>	<b>7720 lb</b>



Position	Elev	Angle	Pipe	Pipe OD	Hole	Connector	Up (L)	Ref
Rim	470'							
Reducer								
Invert 1	462.95'	0°	15" RCP B WALL	19.5"	22"	Hole 22	0"	P1
Invert 2	463.05'	170°	15" RCP B WALL	19.5"	22"	Hole 22	1.25"	P1
Invert 3								
Invert 4								
Invert 5								
Invert 6								
Invert 7								
Invert 8								



**Cast (Int. Dim.) - Interior Dimensions**



Submittal Drawing  
 2/6/2026 3:36:03 PM

SUBMITTAL  
 APPROVED BY: