

Job Name: 25-1011 Maxie Plaza
Job Location: Elizabethtown, KY 42740
Contractor: Kauffeld Brothers Construction

PC: C. Goff
 TECH: J. Horsley
 Plant: Beaver Dam



Structure ID: K (OCS 48x48)

Spec: Storm
 Type: BX 8inW, 8inF
 Size: 48" x 48"

Rim: 734.41'
 Invert: 731.5'
 Rim to Invert: 2.91'

Sump: 0"
 Floor (Top): 731.5'
 Floor Height: 8"

Overall Height: 3.583'
 Slack: -0.08"

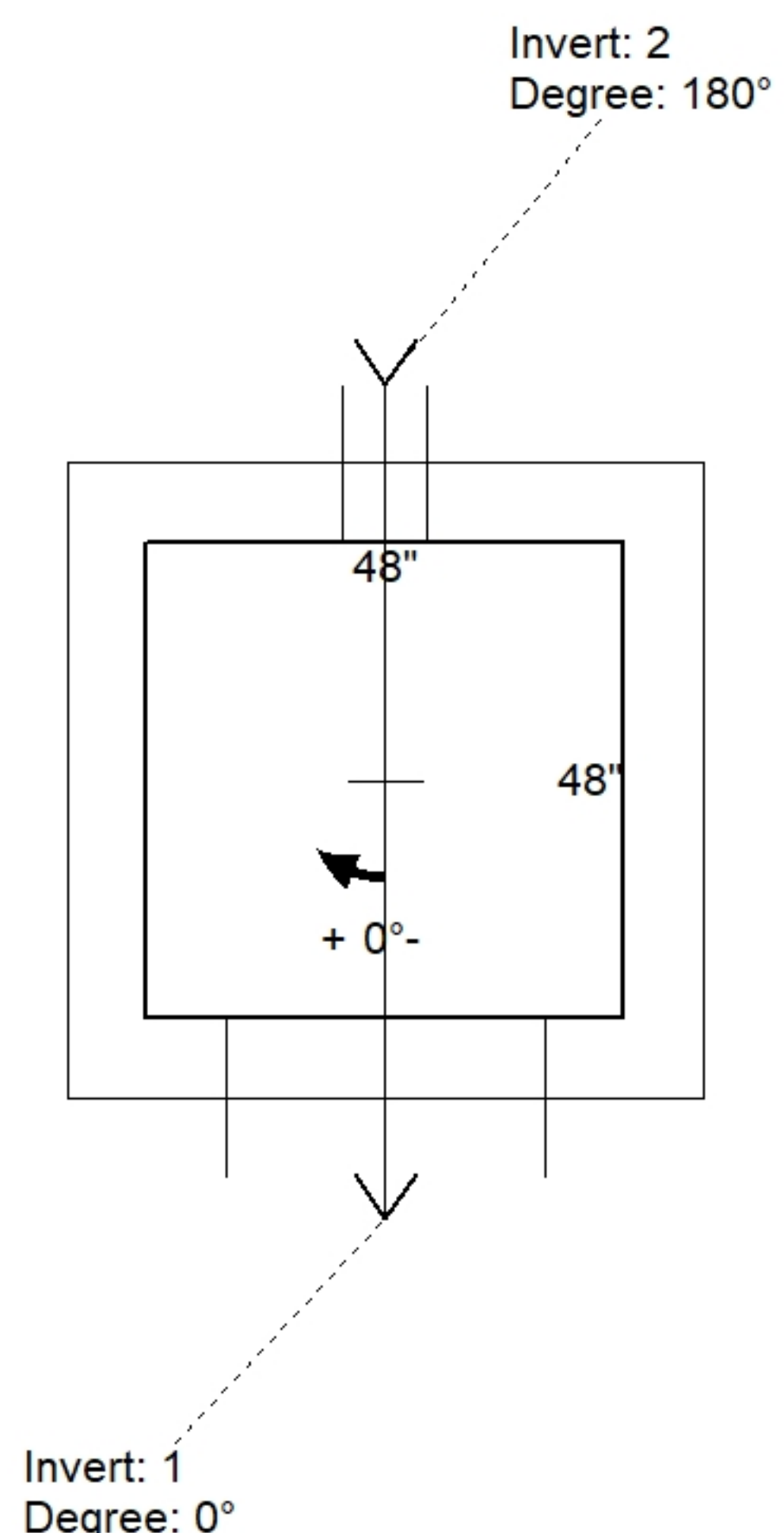
Structure Notes:

1. PER ASTM C913 SPECIFICATIONS.
2. CONCRETE = 4,000 PSI AT 28 DAYS.
3. NO INVERT CHANNEL.
4. CASTING BY ICAST (TRASHRACK LFS-4848-P).

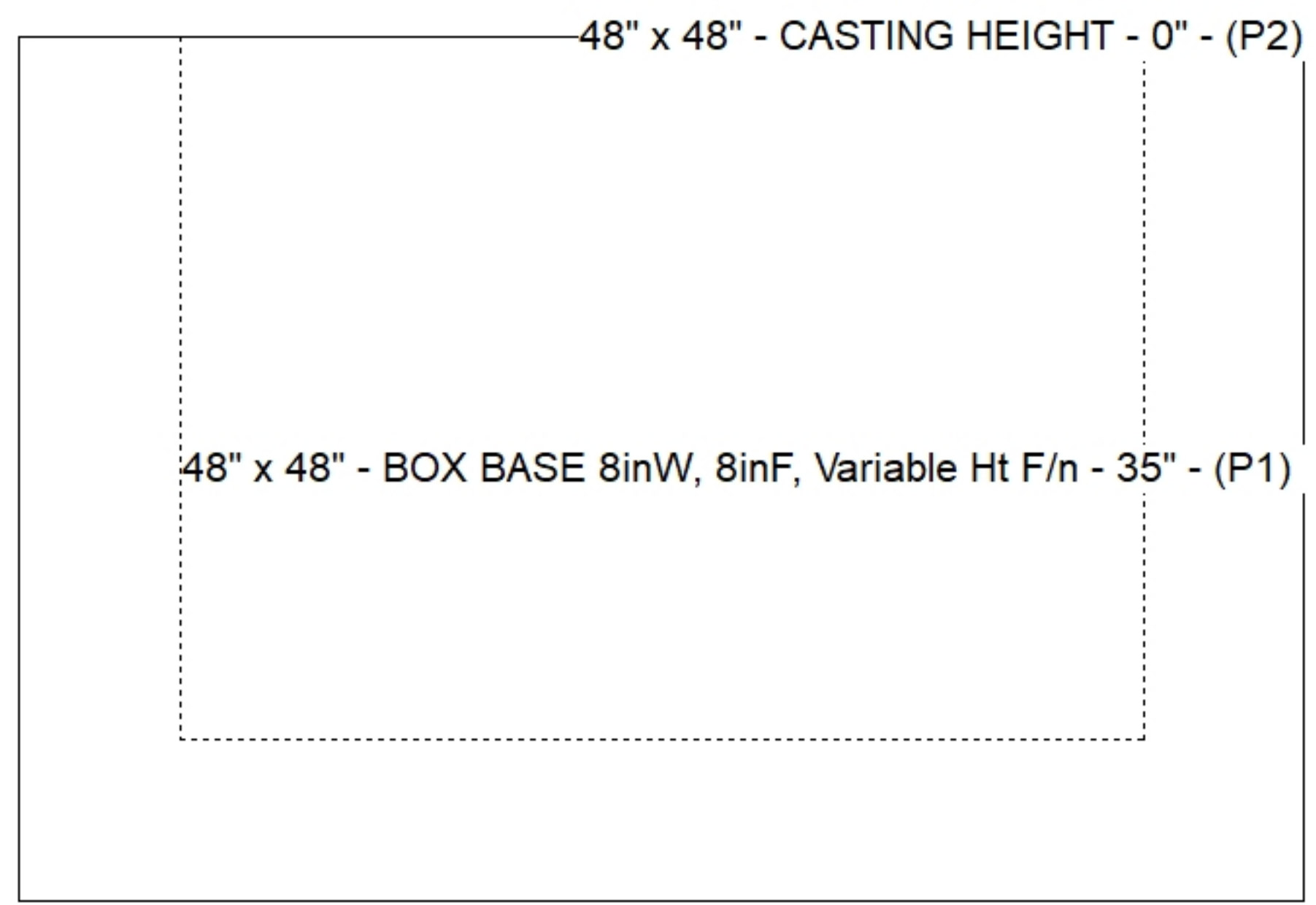
REINFORCING PER ASTM A615 (GRADE 60).
 - WALLS (As .12) #5 BARS AT 12" C.C.E.W.
 - FLOOR (As .12) #5 BARS AT 12" C.C.E.W.

STRUCTURE SUMMARY:

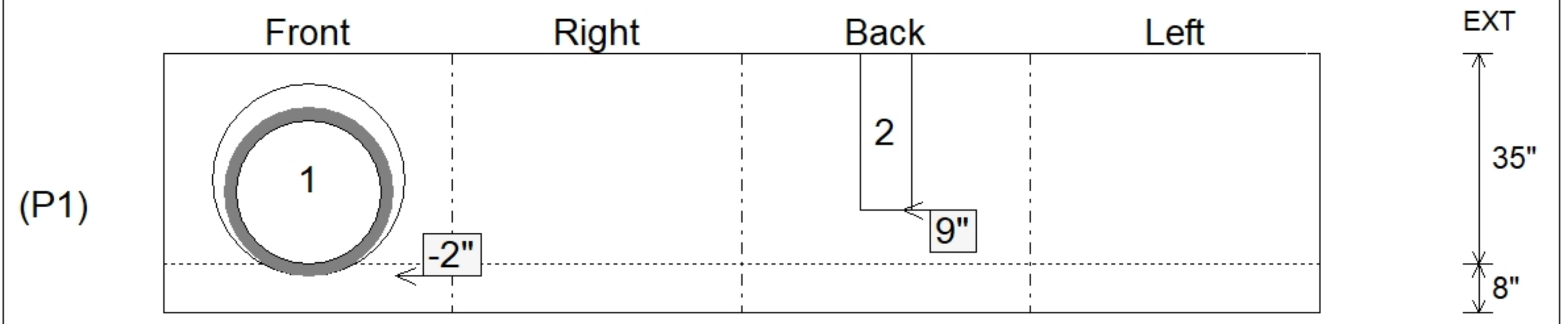
P2) 48" x 48" - CASTING HEIGHT - 0"	0 lb
P1) 48" x 48" - BOX BASE 8inW, 8inF, Variable Ht F/n - 35"	7324 lb
1) CASTING - TRASHRACKS LFS-4848-P SQ. Flush Mount Grate	289 lb
1) 48" x 48" - Conseal CS-102 1.00"	0 lb
1) Hole - 32	0 lb
1) Weir n/n - 8.5"x26"	0 lb
Structure Total:	7613 lb



Position	Elev	Angle	Ext. (cw)	Pipe	Hole	Connector	Up ()	Ref
Rim	734.41'							
Reducer								
Invert 1	731.5'	0°	32"	24" ADS N-12	32"	Hole 32	-2"	P1
Invert 2	732.25'	180°	32"	8.5" x 26" Weir	8.5" x 26"	Weir 8.5"x26"	9"	P1
Invert 3								
Invert 4								
Invert 5								
Invert 6								
Invert 7								
Invert 8								



Cast (Int. Dim.) - Interior Dimensions



Submittal Drawing
 6/17/2025 2:20:19 PM

SUBMITTAL
 APPROVED BY: