

Job Name: 25-1011 Maxie Plaza  
 Job Location: Elizabethtown, KY 42740  
 Contractor: Kauffeld Brothers Construction

Plant: Beaver Dam  
 6/17/2025 2:20:44 PM

Tech: J. Horsley  
 PC: C. Goff



**Structure ID: G (DBI 24x24)**

**P1 BX2424-08BAVF**

**BOX BASE 8inW, 8inF, Variable Ht F/n**

- P2) 24" x 24" - CASTING HEIGHT - 6"
- P1) 24" x 24" - BOX BASE 8inW, 8inF, Variable Ht F/n - 47"
- 1) CASTING - HOE 342 F/G
- 1) 24" x 24" - Conseal CS-102 1.00"
- 1) Hole - 20
- 1) Hole - 18

0 lb  
 4717 lb  
 250 lb  
 0 lb  
 0 lb  
 0 lb  
 -----  
 Structure Total: 4967 lb

**Structure Notes:**  
 1. PER ASTM C913 SPECIFICATIONS.  
 2. CONCRETE = 4,000 PSI AT 28 DAYS.  
 3. NO INVERT CHANNEL.  
 4. CASTIG BY ICAST (HOE 342 F/G).

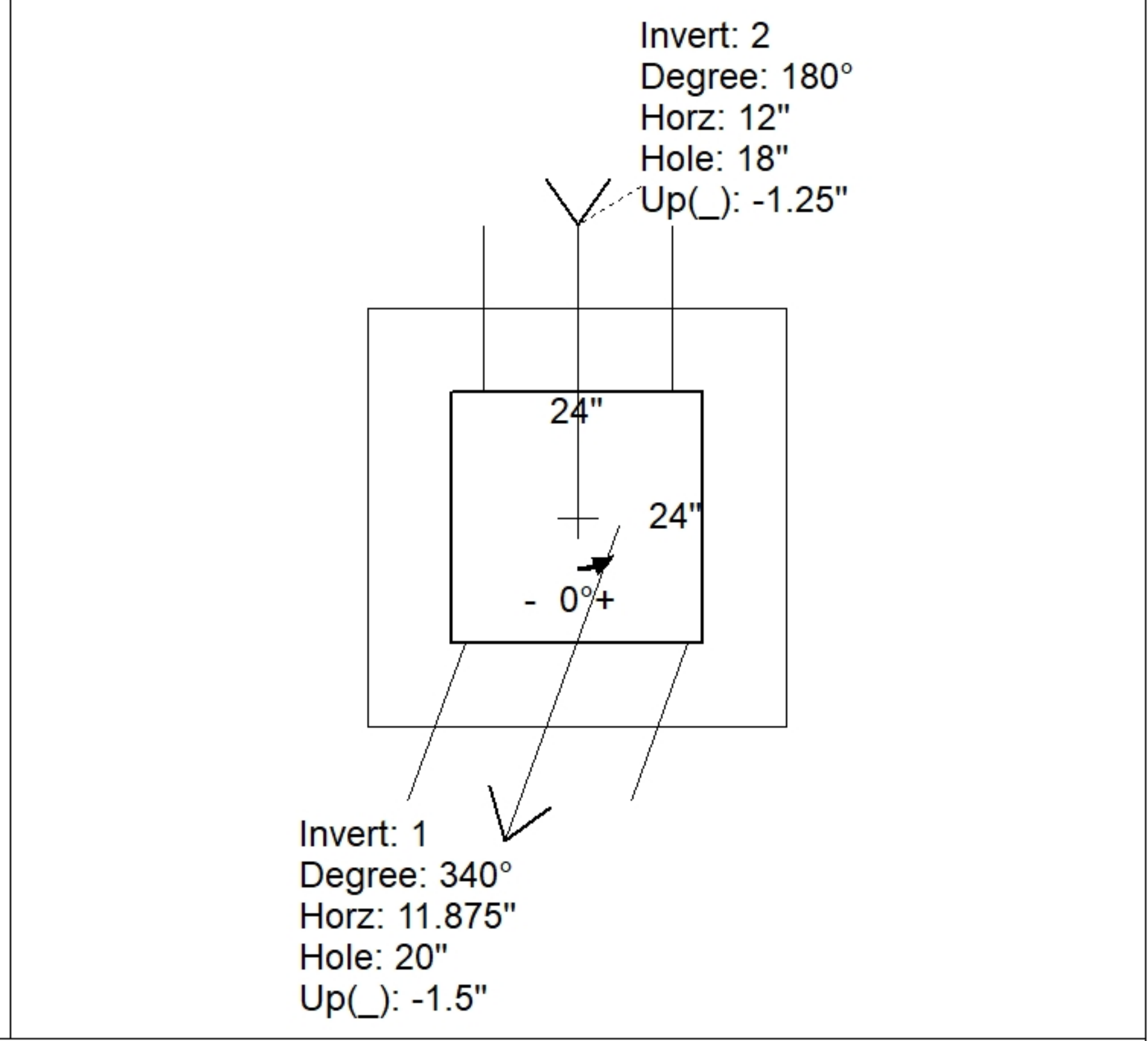
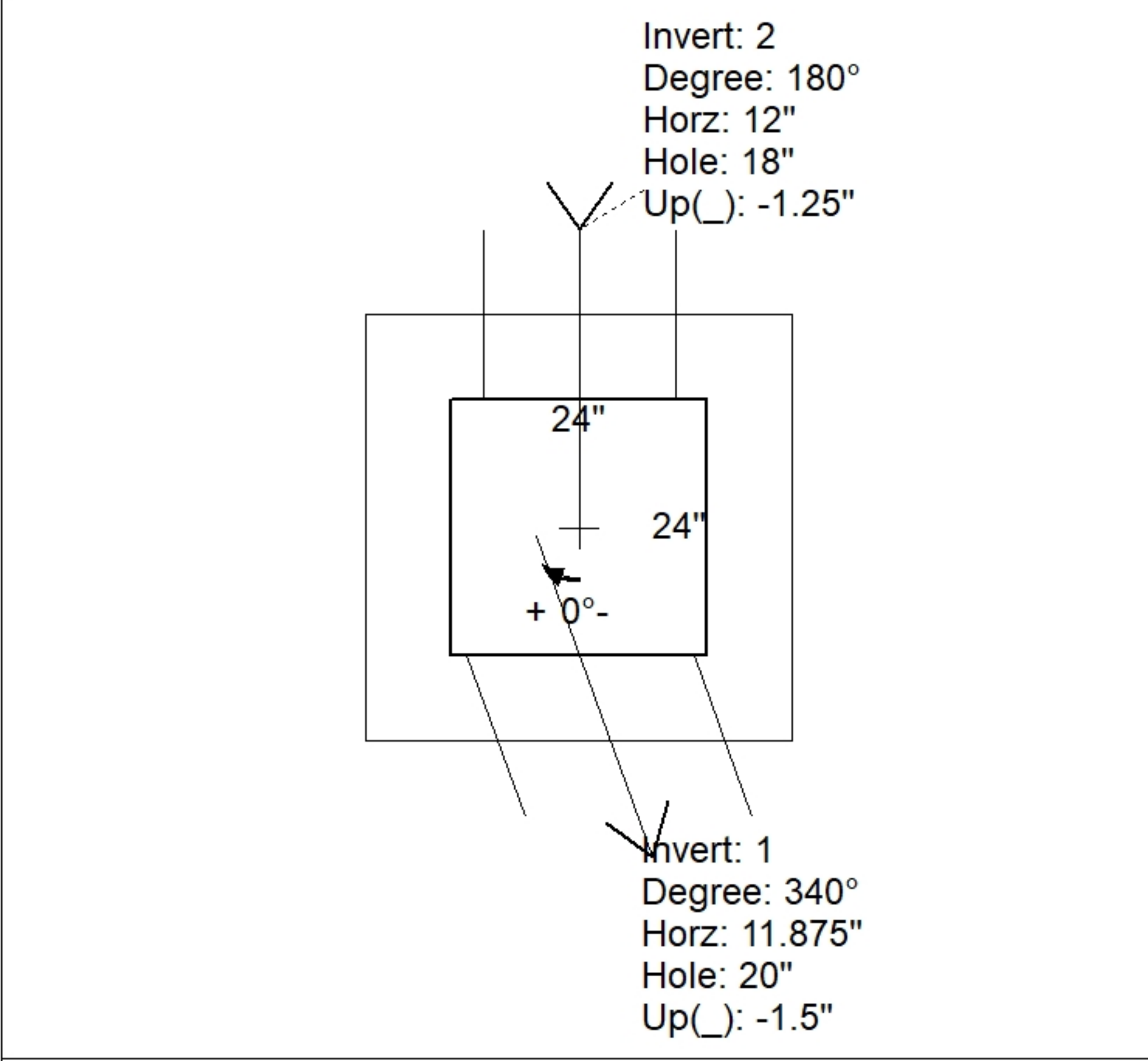
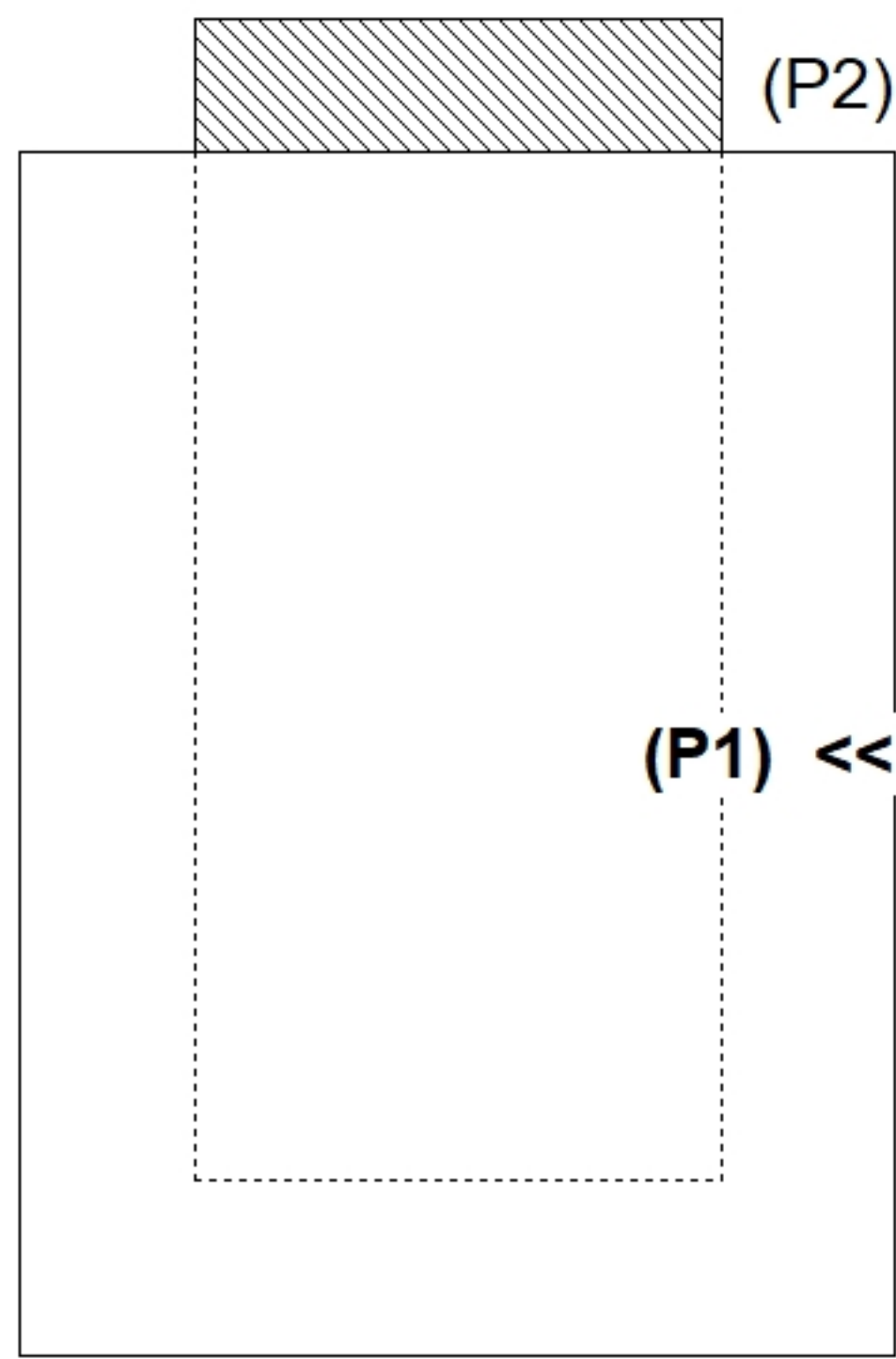
REINFORCING PER ASTM A615 (GRADE 60).  
 - WALLS (As .12) #5 BARS AT 12" C.C.E.W.  
 - FLOOR (As .12) #5 BARS AT 12" C.C.E.W.

Rim: 736.45' Rim to Invert: 4.43' Slack: 0.16" Sump: 0" Step Position:

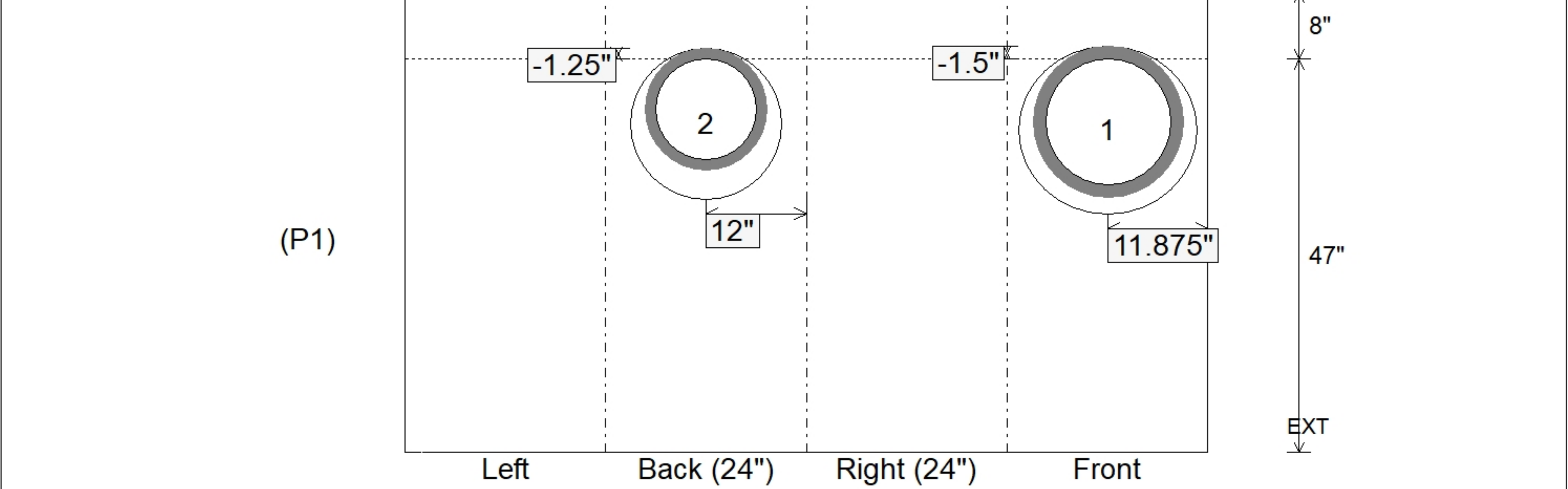
Position	Elev	Angle	Ext. (cw)	Pipe	Pipe OD	Connector	Hole	Horz Size	Up ( )	Offset
Invert 1	732.02'	340°	17"	15" ADS N-12	18"	Hole 20	20"	21.284"	-1.5"	4"
Invert 2	732.02'	180°	20"	12" ADS N-12	14.5"	Hole 18	18"	18"	-1.25"	0"
Invert 3										
Invert 4										
Invert 5										
Invert 6										
Invert 7										
Invert 8										

RIGHT-SIDE UP VIEW (int. dimensions)

UPSIDE-DOWN VIEW (int. dimensions)



INSIDE WALL DIMENSIONS



Coating (Int): Coating (Ext):	Seam Up: Flat Seam Dn: n/a	Wall Thickness: 8" Floor Height: 8"	Height (Int): 47" Height (Ext): 55"	Weight (Net): 4717 lb Volume (Net): 1.2cu.yd
----------------------------------	-------------------------------	--	--	---