

Job Name: 25-1011 Maxie Plaza
 Job Location: Elizabethtown, KY 42740
 Contractor: Kauffeld Brothers Construction

Plant: Beaver Dam
 6/17/2025 2:20:44 PM

Tech: J. Horsley
 PC: C. Goff



Structure ID: F (DBI 24x24)

P1 BX2424-08BAVF

BOX BASE 8inW, 8inF, Variable Ht F/n

- P2) 24" x 24" - CASTING HEIGHT - 6"
- P1) 24" x 24" - BOX BASE 8inW, 8inF, Variable Ht F/n - 39"
- 1) CASTING - HOE 342 F/G
- 1) 24" x 24" - Conseal CS-102 1.00"
- 2) Hole - 18

0 lb
 4084 lb
 250 lb
 0 lb
 0 lb

 Structure Total: 4334 lb

Structure Notes:
 1. PER ASTM C913 SPECIFICATIONS.
 2. CONCRETE = 4,000 PSI AT 28 DAYS.
 3. NO INVERT CHANNEL.
 4. CASTIG BY ICAST (HOE 342 F/G).

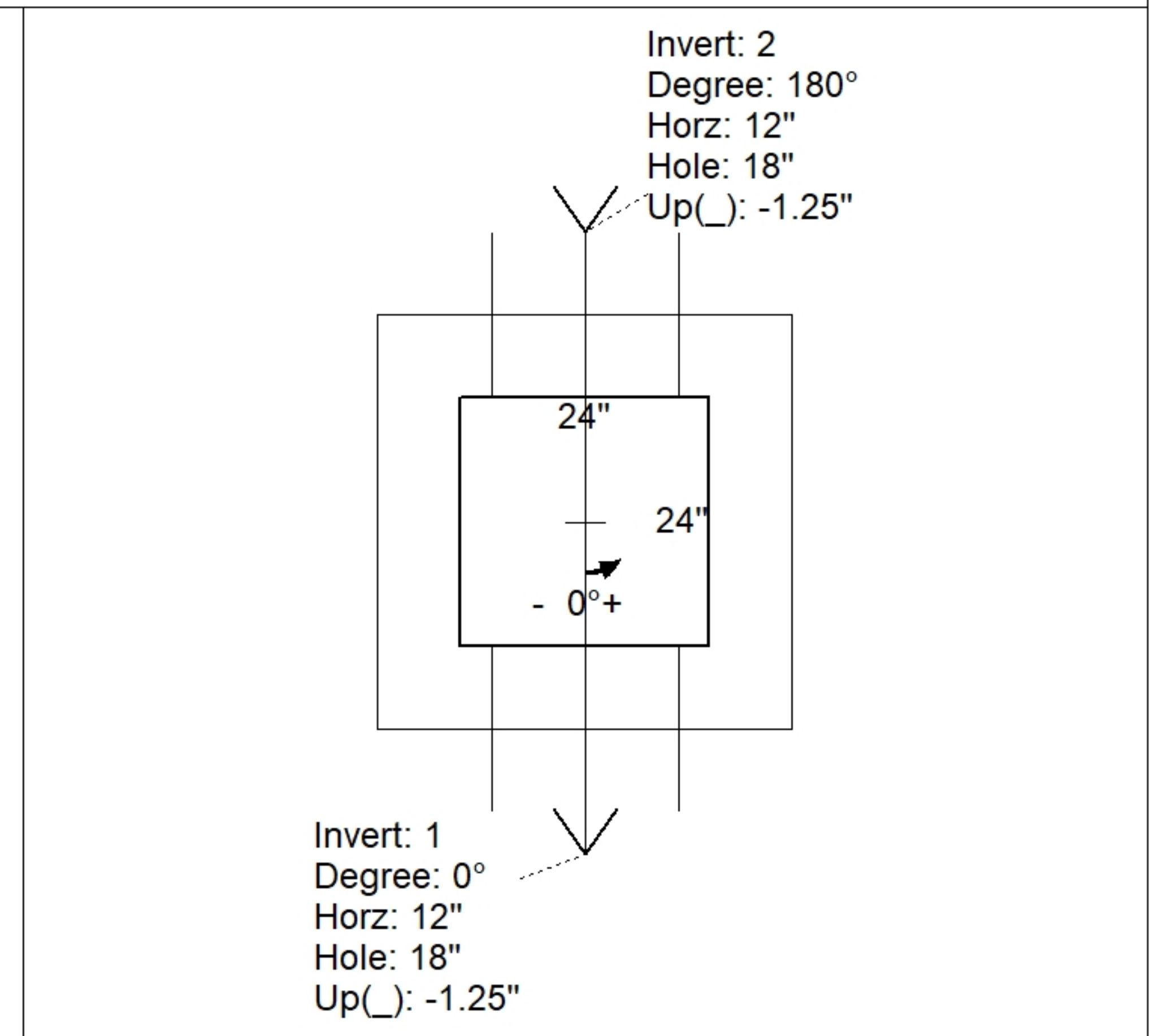
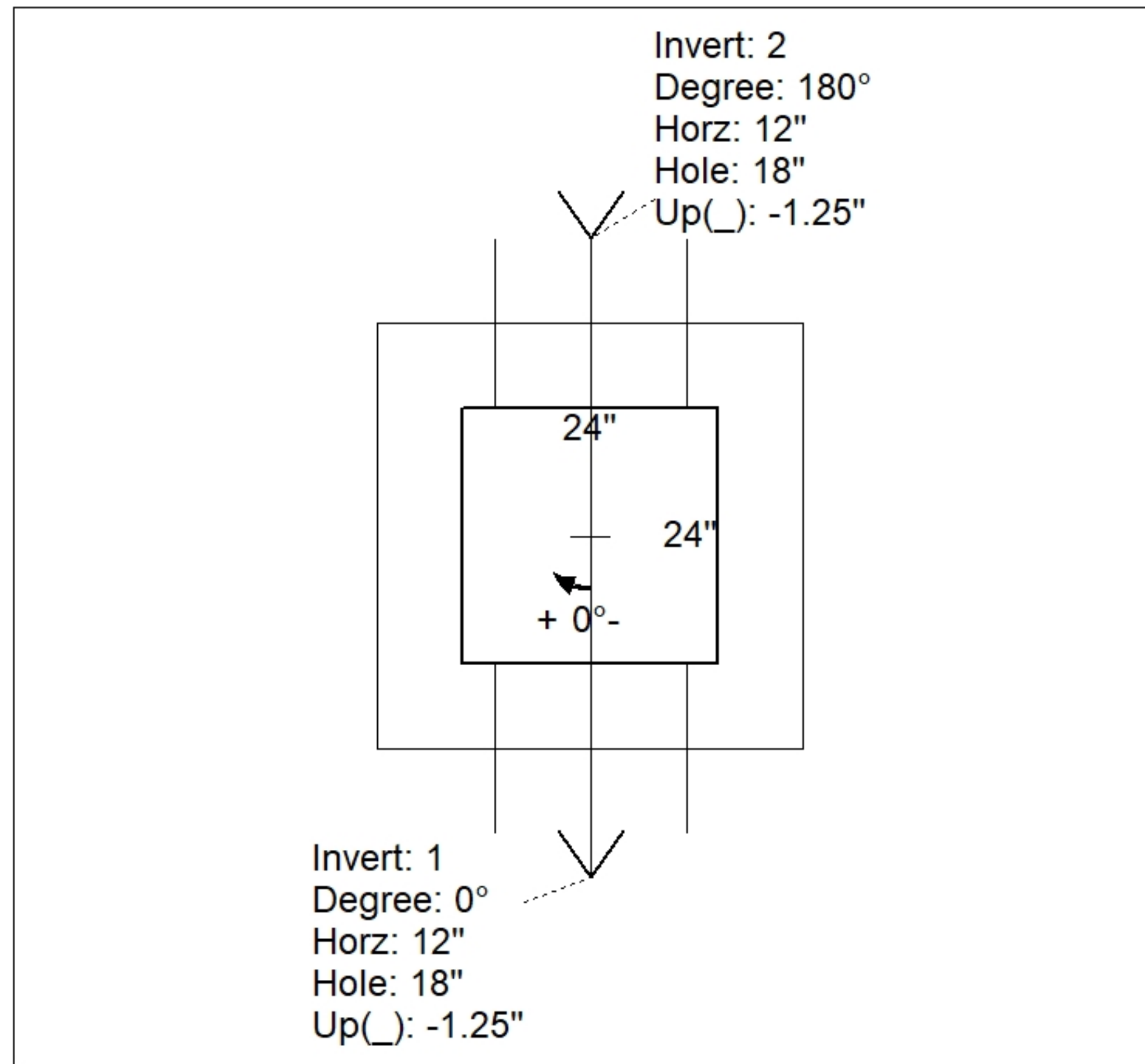
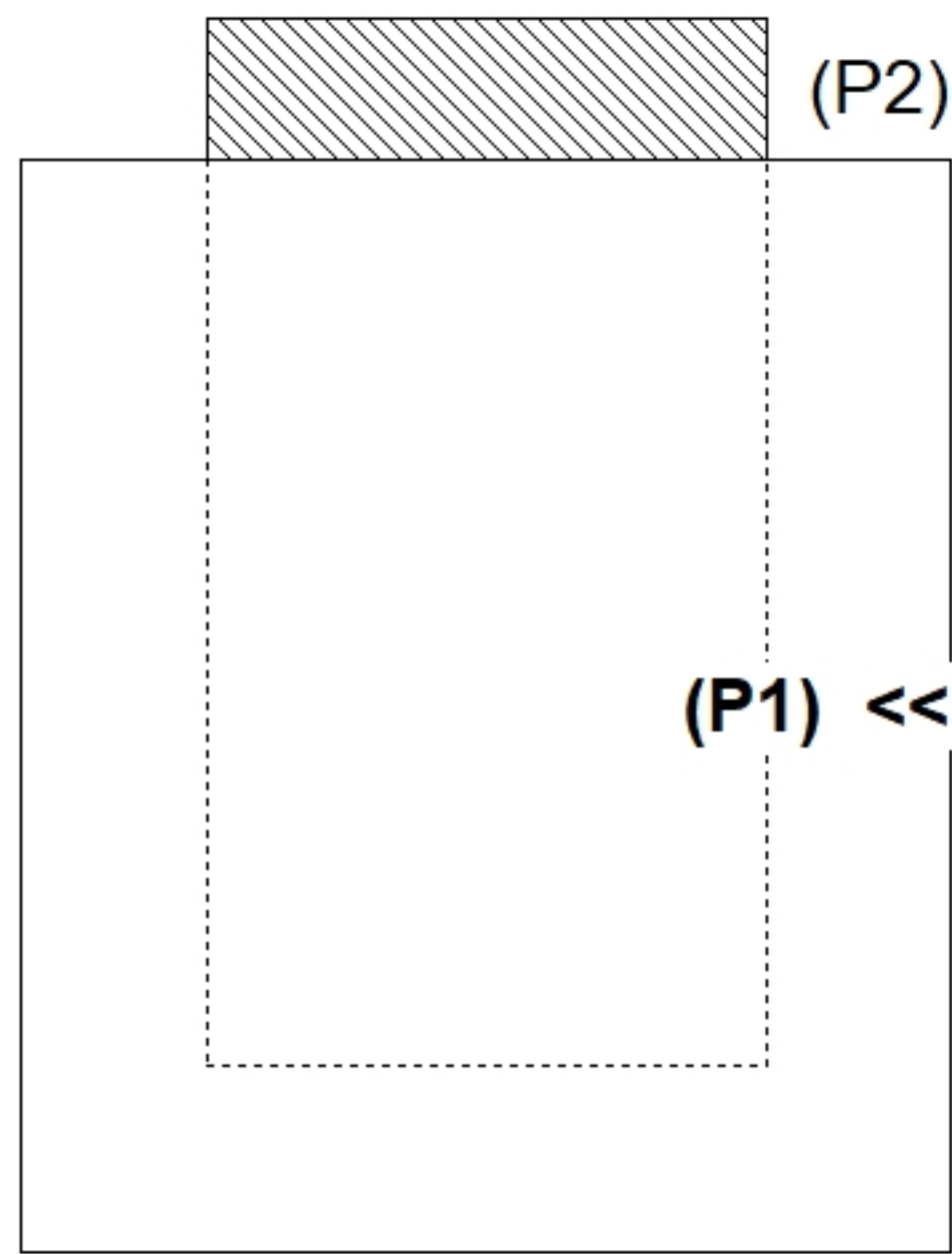
REINFORCING PER ASTM A615 (GRADE 60).
 - WALLS (As .12) #5 BARS AT 12" C.C.E.W.
 - FLOOR (As .12) #5 BARS AT 12" C.C.E.W.

Rim: 736.45' Rim to Invert: 3.77' Slack: 0.24" Sump: 0" Step Position:

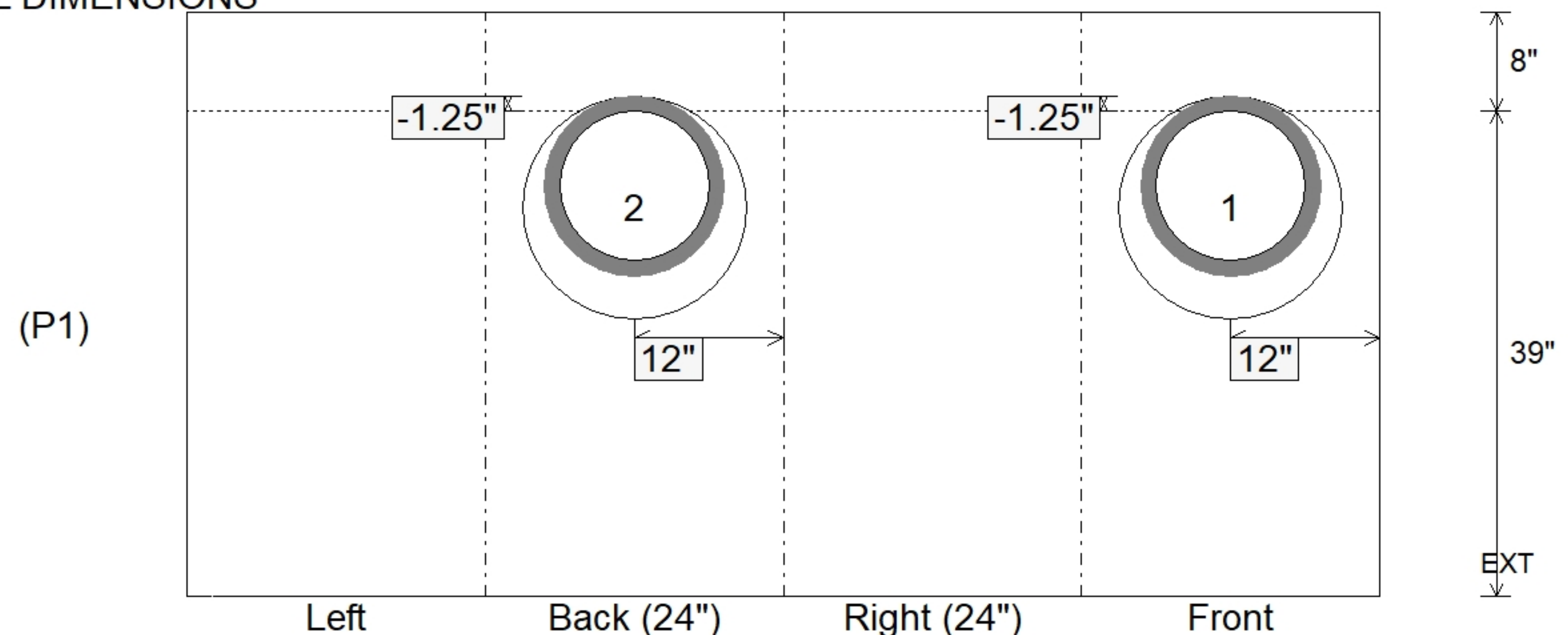
Position	Elev	Angle	Ext. (cw)	Pipe	Pipe OD	Connector	Hole	Horz Size	Up ()	Offset
Invert 1	732.68'	0°	20"	12" ADS N-12	14.5"	Hole 18	18"	18"	-1.25"	0"
Invert 2	732.68'	180°	20"	12" ADS N-12	14.5"	Hole 18	18"	18"	-1.25"	0"
Invert 3										
Invert 4										
Invert 5										
Invert 6										
Invert 7										
Invert 8										

RIGHT-SIDE UP VIEW (int. dimensions)

UPSIDE-DOWN VIEW (int. dimensions)



INSIDE WALL DIMENSIONS



Coating (Int):
 Coating (Ext):

Seam Up: Flat
 Seam Dn: n/a

Wall Thickness: 8"
 Floor Height: 8"

Height (Int): 39"
 Height (Ext): 47"

Weight (Net): 4084 lb
 Volume (Net): 1.04cu.yd