

**Job Name: 25-1011 Maxie Plaza**  
**Job Location: Elizabethtown, KY 42740**  
**Contractor: Kauffeld Brothers Construction**

PC: C. Goff  
 TECH: J. Horsley  
 Plant: Beaver Dam



Structure ID: C (DBI 24x24)

Spec: Storm  
 Type: BX 8inW, 8inF  
 Size: 24" x 24"

Rim: 736.45'  
 Invert: 732.17'  
 Rim to Invert: 4.28'

Sump: 0"  
 Floor (Top): 732.17'  
 Floor Height: 8"

Overall Height: 4.917'  
 Slack: 0.36"

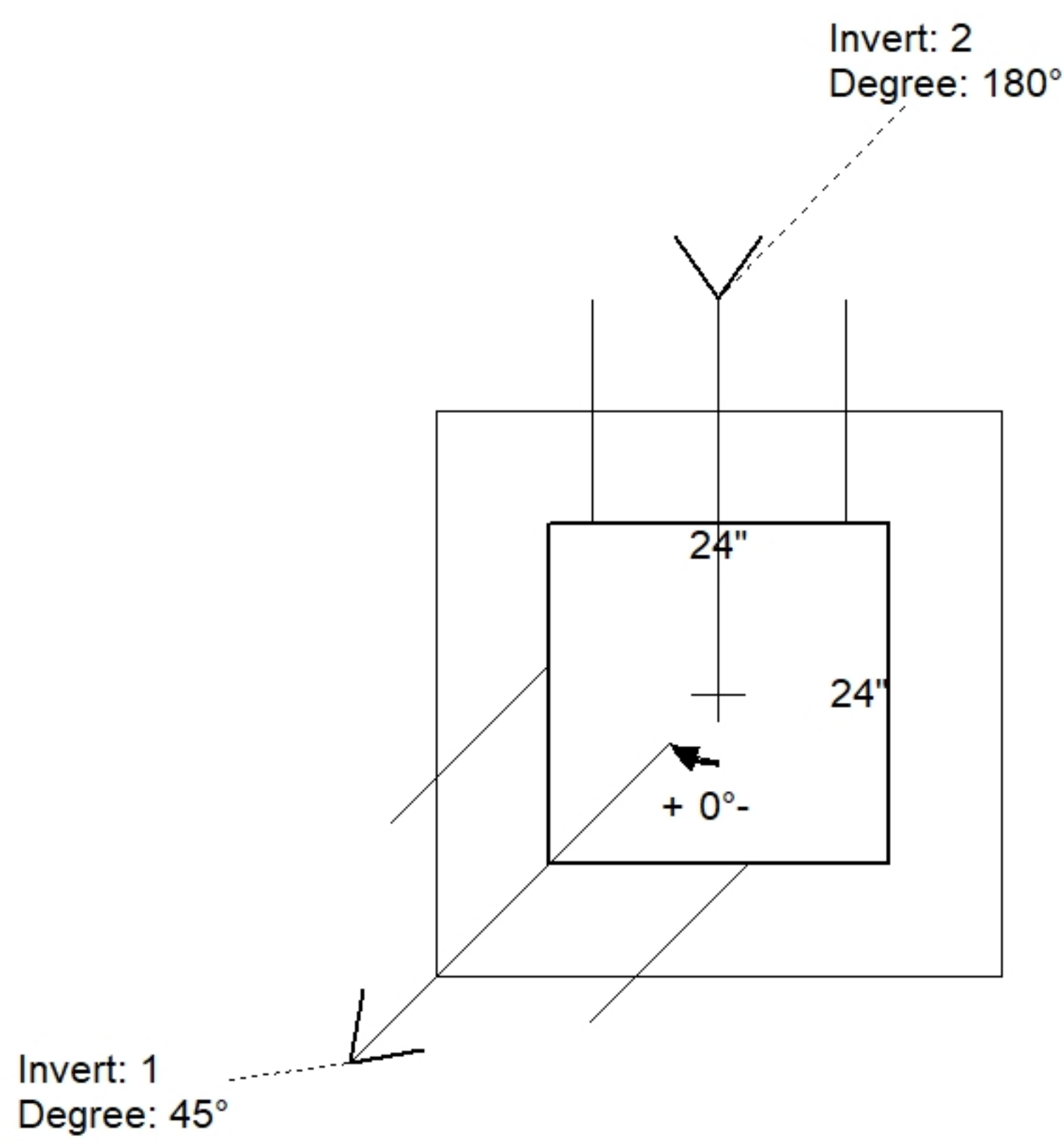
Structure Notes:

1. PER ASTM C913 SPECIFICATIONS.
2. CONCRETE = 4,000 PSI AT 28 DAYS.
3. NO INVERT CHANNEL.
4. CASTIG BY ICAST (HOE 342 F/G).

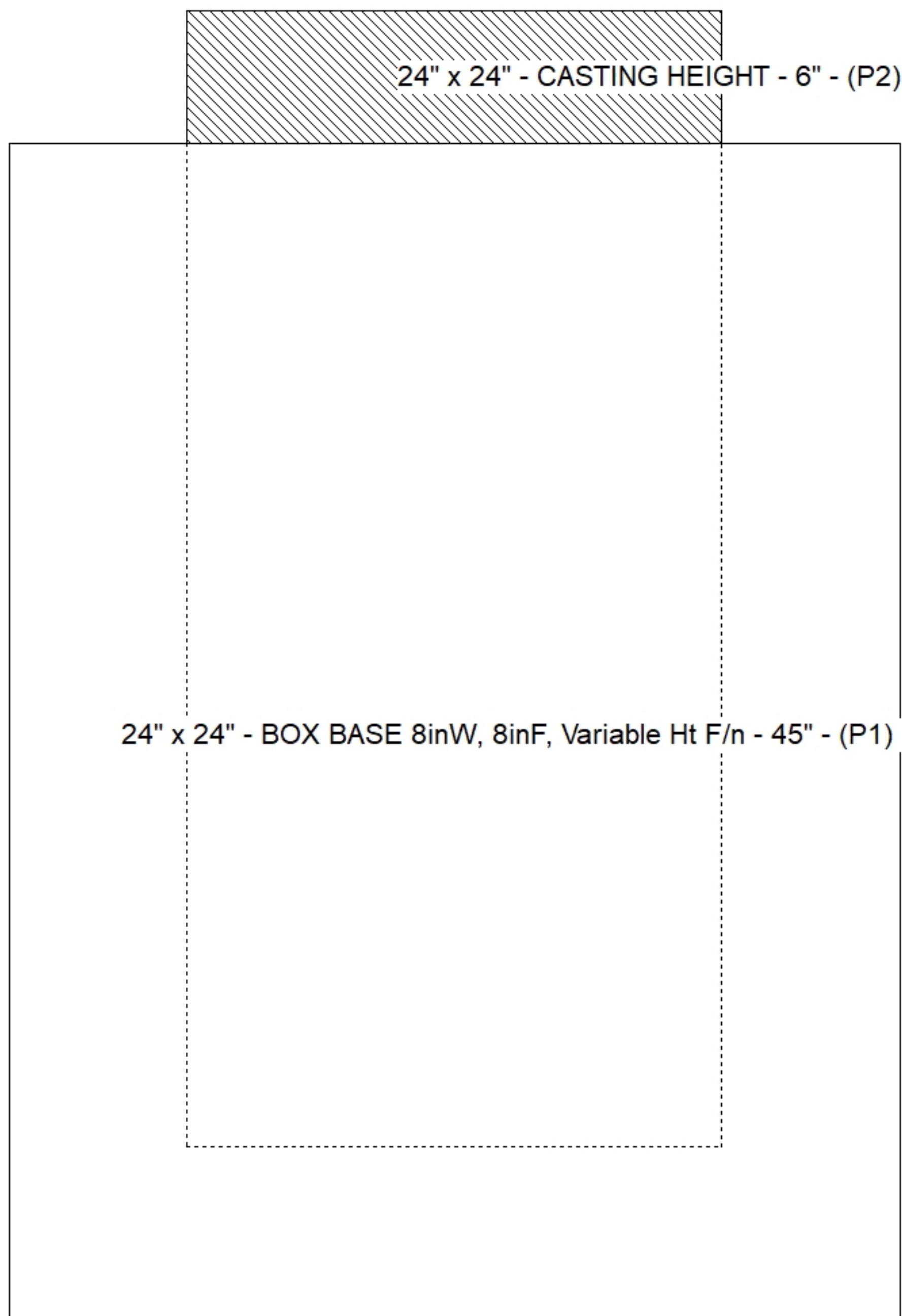
REINFORCING PER ASTM A615 (GRADE 60).  
 - WALLS (As .12) #5 BARS AT 12" C.C.E.W.  
 - FLOOR (As .12) #5 BARS AT 12" C.C.E.W.

STRUCTURE SUMMARY:

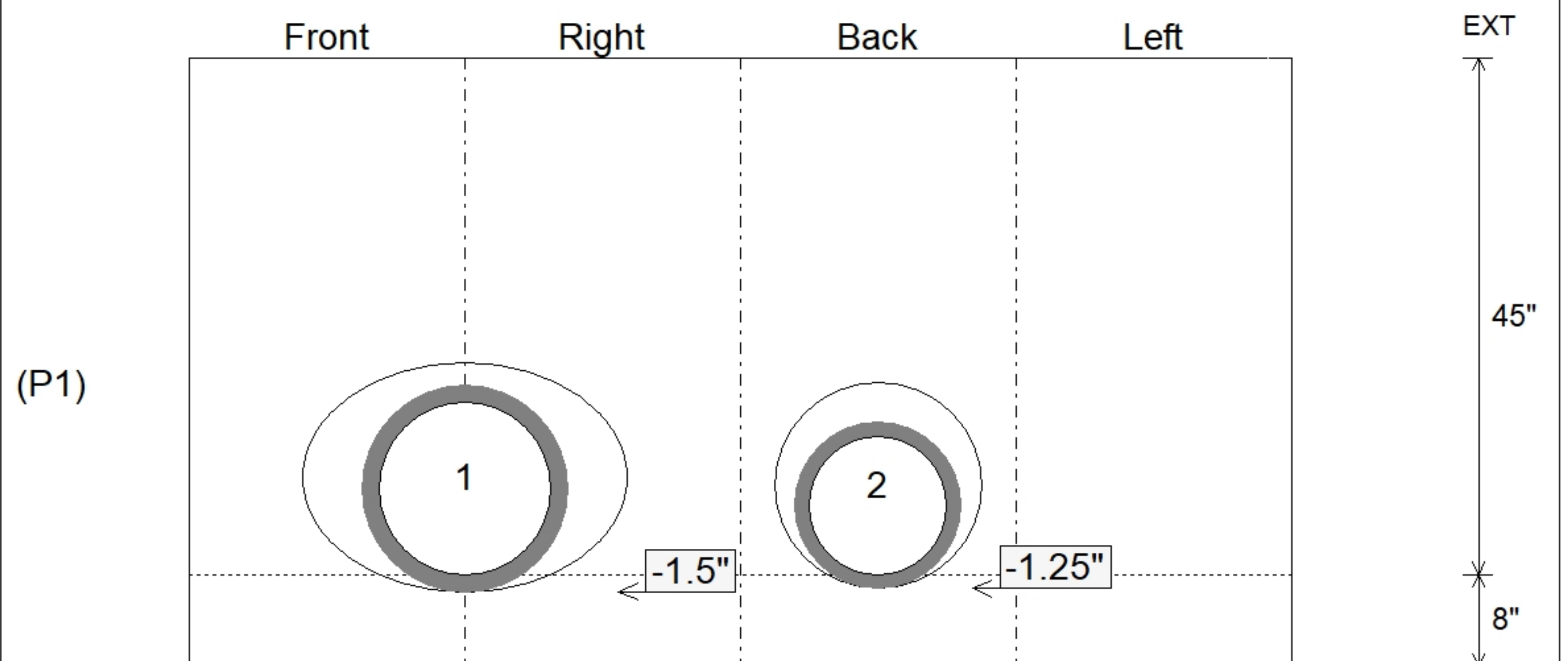
P2) 24" x 24" - CASTING HEIGHT - 6"	0 lb
P1) 24" x 24" - BOX BASE 8inW, 8inF, Variable Ht F/n - 45"	4472 lb
1) CASTING - HOE 342 F/G	250 lb
1) 24" x 24" - Conseal CS-102 1.00"	0 lb
1) Hole - 20	0 lb
1) Hole - 18	0 lb
<b>Structure Total:</b>	<b>4722 lb</b>



Position	Elev	Angle	Ext. (cw)	Pipe	Hole	Connector	Up ( )	Ref
Rim	736.45'							
Reducer								
Invert 1	732.17'	45°	40"	15" ADS N-12	20"	Hole 20	-1.5"	P1
Invert 2	732.17'	180°	20"	12" ADS N-12	18"	Hole 18	-1.25"	P1
Invert 3								
Invert 4								
Invert 5								
Invert 6								
Invert 7								
Invert 8								



Cast (Int. Dim.) - Interior Dimensions



Submittal Drawing  
 6/17/2025 2:20:16 PM

SUBMITTAL  
 APPROVED BY: