

**Structure ID: A (DBI 24x24)**

**P1 BX2424-08BA30**

**BOX BASE 8inW, 8inF F/n**

- P2) 24" x 24" - CASTING HEIGHT - 6"
- P1) 24" x 24" - BOX BASE 8inW, 8inF F/n - 30"
- 1) CASTING - HOE 342 F/G
- 1) 24" x 24" - Conseal CS-102 1.00"
- 1) Hole - 18

	0 lb
	3481 lb
	250 lb
	0 lb
	0 lb
Structure Total:	3731 lb

Structure Notes:

1. PER ASTM C913 SPECIFICATIONS.
2. CONCRETE = 4,000 PSI AT 28 DAYS.
3. NO INVERT CHANNEL.
4. CASTIG BY ICAST (HOE 342 F/G).

REINFORCING PER ASTM A615 (GRADE 60).

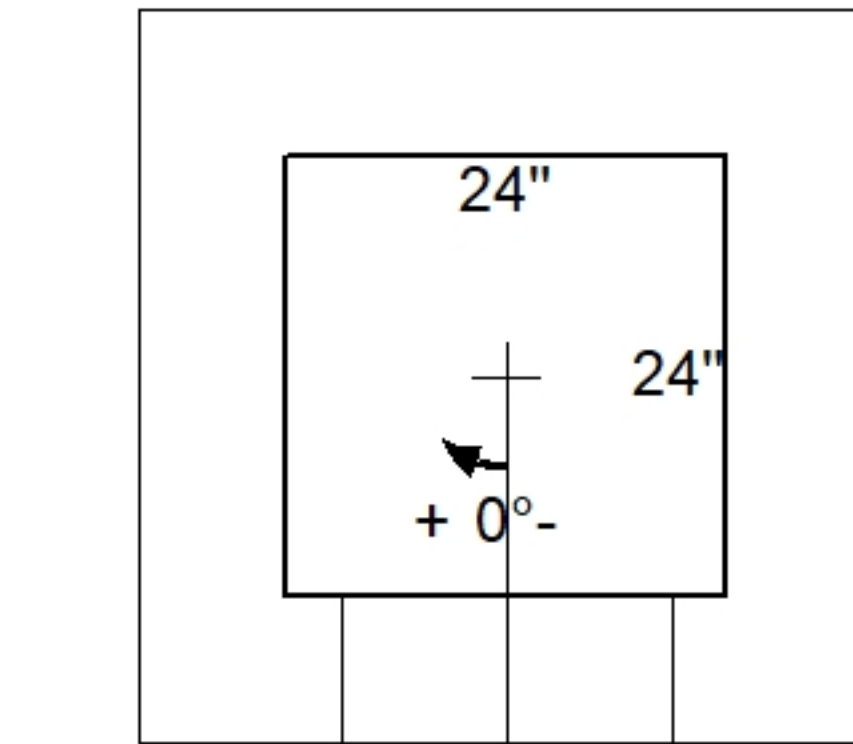
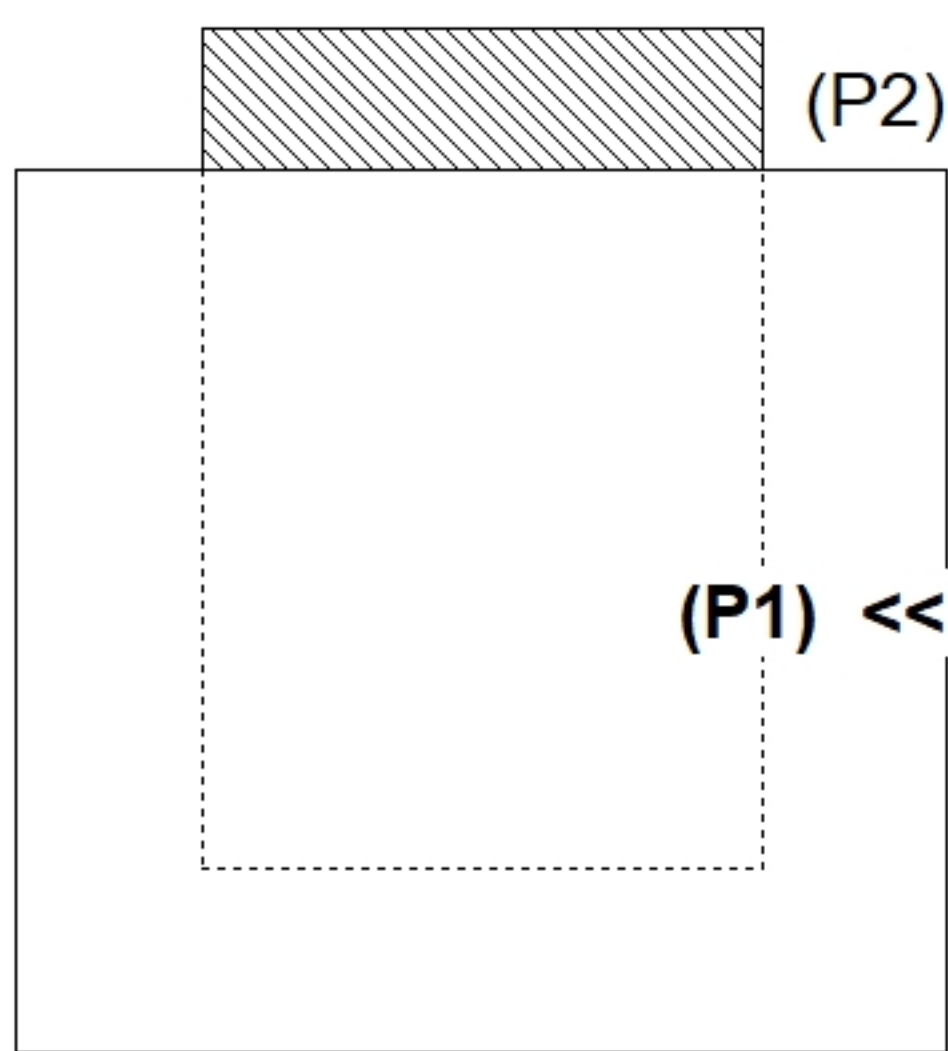
- WALLS (As .12) #5 BARS AT 12" C.C.E.W.
- FLOOR (As .12) #5 BARS AT 12" C.C.E.W.

Rim: 736.35'      Rim to Invert: 3'      Slack: 0"      Sump: 0"      Step Position:

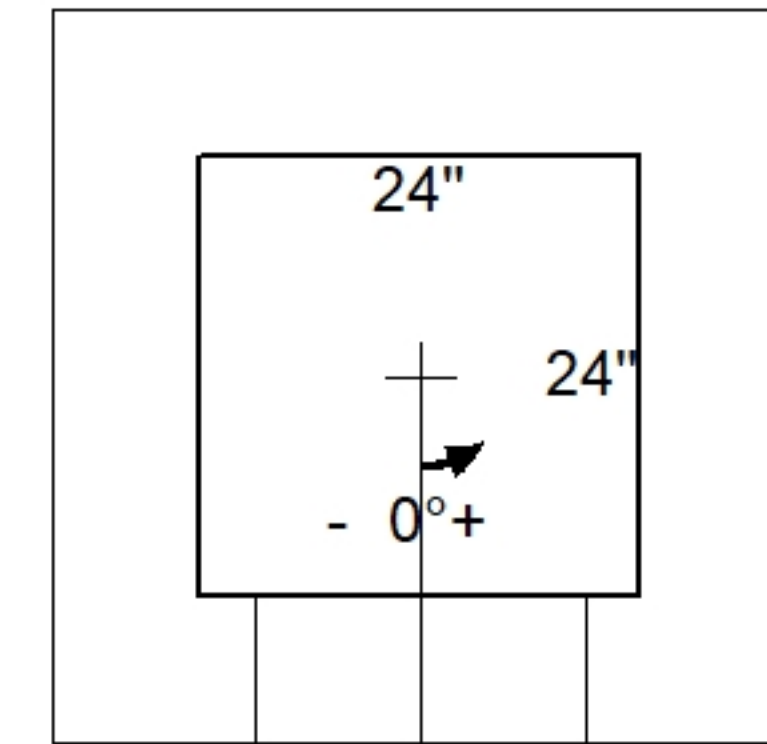
Position	Elev	Angle	Ext. (cw)	Pipe	Pipe OD	Connector	Hole	Horz Size	Up ( )	Offset
Invert 1	733.35'	0°	20"	12" ADS N-12	14.5"	Hole 18	18"	18"	-1.25"	0"
Invert 2										
Invert 3										
Invert 4										
Invert 5										
Invert 6										
Invert 7										
Invert 8										

RIGHT-SIDE UP VIEW (int. dimensions)

UPSIDE-DOWN VIEW (int. dimensions)

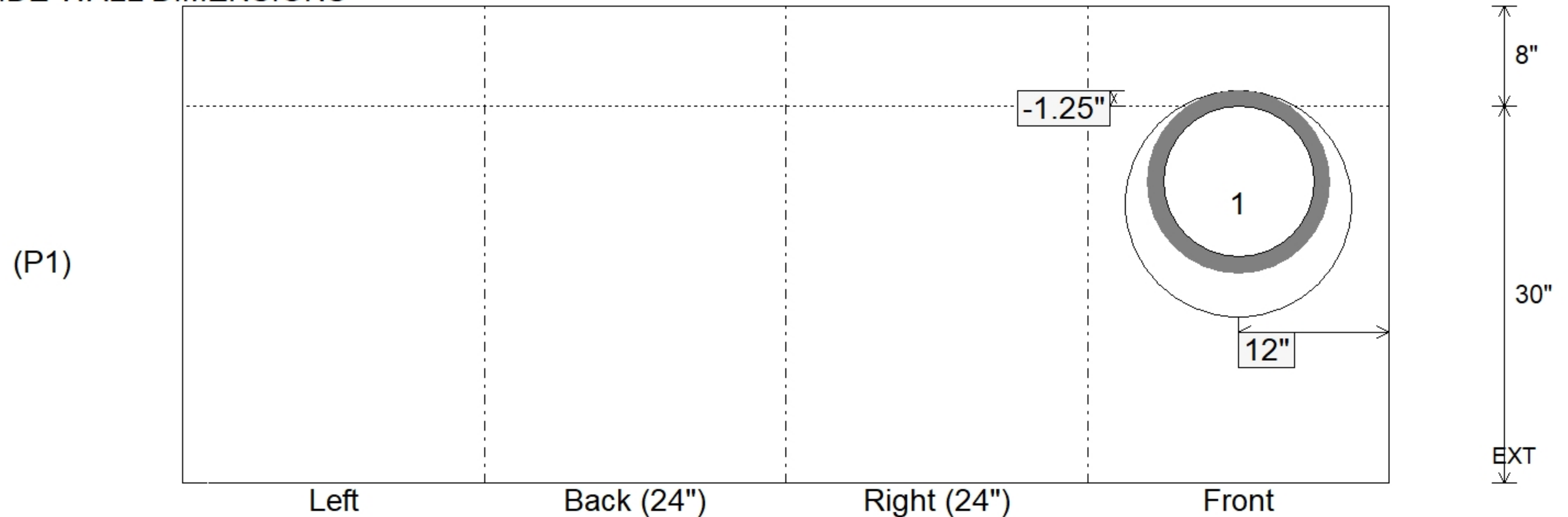


Invert: 1  
 Degree: 0°  
 Horz: 12"  
 Hole: 18"  
 Up( ): -1.25"



Invert: 1  
 Degree: 0°  
 Horz: 12"  
 Hole: 18"  
 Up( ): -1.25"

INSIDE WALL DIMENSIONS



Coating (Int):	Seam Up: Flat	Wall Thickness: 8"	Height (Int): 30"	Weight (Net): 3481 lb
Coating (Ext):	Seam Dn: n/a	Floor Height: 8"	Height (Ext): 38"	Volume (Net): 0.89cu.yd