

Structure ID: M2-3 SS-MH

P1 MH048BA24

MH BASE T/n

P4) 24" - CASTING HEIGHT - 7" P3) 24" - GRADE RING F/F - 4" P2) 48" - ECC CONE w/ 24" HOLE F/G - 36" P1) 48" - MH BASE T/n - 24" 1) 48" - MH INVERT CHANNEL - FULL HEIGHT 1) JOINT WRAP - 0.065"x6"x50' CONSEAL CS212 1) JOINT WRAP PRIMER - CONSEAL CS-75 (1 gal.) 1) CASTING - HOE MC-315 F/C Sanitary 1) 48" - Conseal CS-102 1.00" (Double) 2) PSX - 12-08 NYLO 4) MH Step ML-10-TDS-NCR - 10"	0 lb 270 lb 3000 lb 2911 lb 1440 lb 0 lb 0 lb 258 lb 0 lb 16 lb 0 lb ----- Structure Total: 7895 lb
--	---

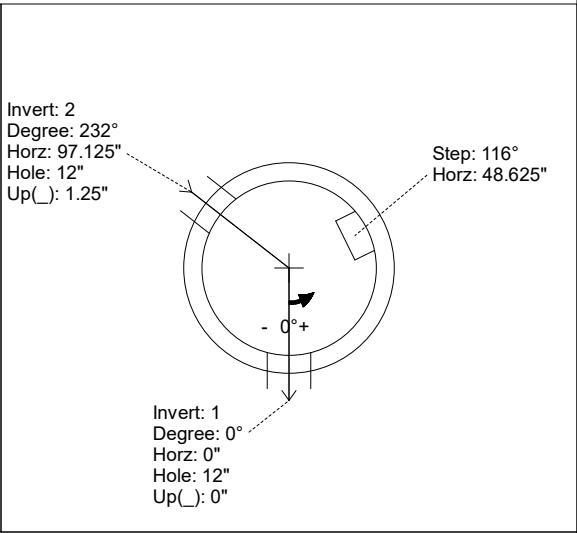
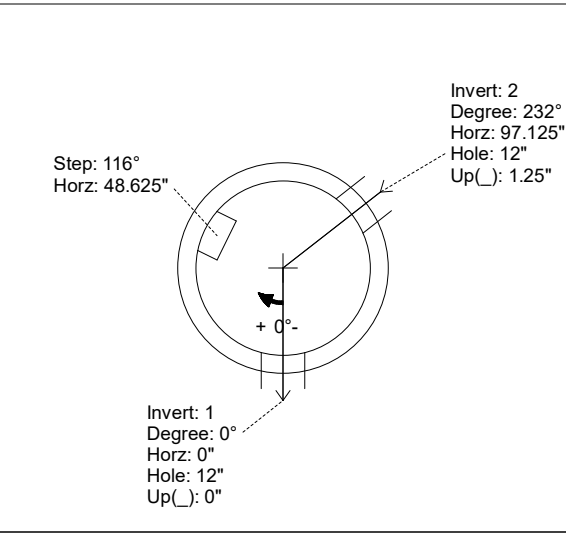
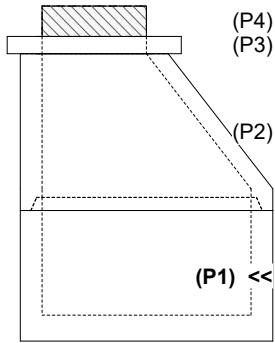
Structure Notes:

1. PER ASTM C-478 SPECIFICATIONS
2. CONCRETE: 4,000 PSI AT 28 DAYS
3. REINFORCEMENT: PER ASTM A615
4. INVERT CHANNEL REQUIRED
5. STEPS AT 116 DEGREES
6. HOE MC-315 FRAME & COVER "SANITARY" SUPPLIED BY ICAST

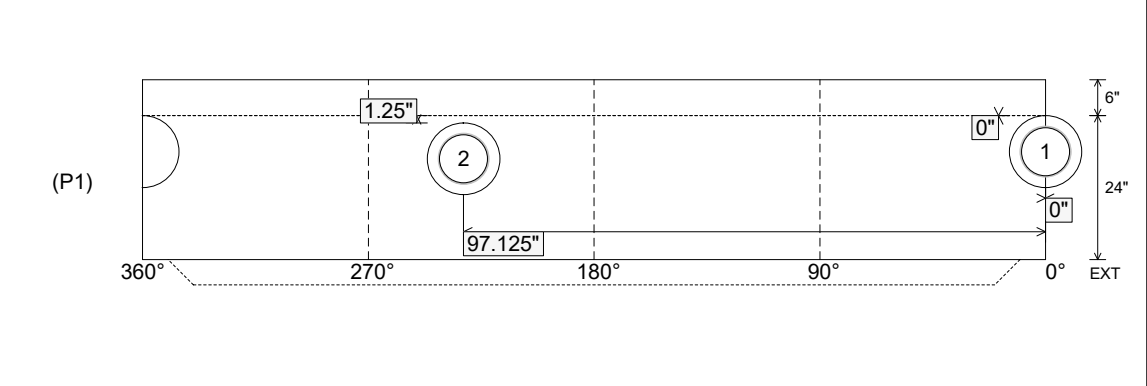
Rim: 755.9' Rim to Invert: 5.79' Slack: 0.48" Sump: 2" Step Position: 116°

Position	Elev	Angle	Ext. (cw)	Pipe	Pipe OD	Connector	Hole	Horz Size	Up ()	Offset
Invert 1	750.11'	0°	0"	8" PVC SDR35	8.5"	PSX 12-08 NYLO	12"	12.129"	0"	0"
Invert 2	750.21'	232°	117.375"	8" PVC SDR35	8.5"	PSX 12-08 NYLO	12"	12.129"	1.25"	0"
Invert 3										
Invert 4										
Invert 5										
Invert 6										
Invert 7										
Invert 8										

RIGHT-SIDE UP VIEW (int. dimensions) UPSIDE-DOWN VIEW (int. dimenions)



INSIDE WALL DIMENSIONS



Coating (Int): Coating (Ext):	Seam Up: Tongue Seam Dn: n/a	Wall Thickness: 5" Floor Height: 6"	Height (Int): 24" Height (Ext): 30"	Weight (Net): 2911 lb Volume (Net): 0.74cu.yd
----------------------------------	---------------------------------	--	--	--

Structure ID: M2-3 SS-MH

P1 MH048BA24

MH BASE T/n

P4) 24" - CASTING HEIGHT - 7" P3) 24" - GRADE RING F/F - 4" P2) 48" - ECC CONE w/ 24" HOLE F/G - 36" P1) 48" - MH BASE T/n - 24" 1) 48" - MH INVERT CHANNEL - FULL HEIGHT 1) JOINT WRAP - 0.065"x6"x50' CONSEAL CS212 1) JOINT WRAP PRIMER - CONSEAL CS-75 (1 gal.) 1) CASTING - HOE MC-315 F/C Sanitary 1) 48" - Conseal CS-102 1.00" (Double) 2) PSX - 12-08 NYLO 4) MH Step ML-10-TDS-NCR - 10"	0 lb 270 lb 3000 lb 2911 lb 1440 lb 0 lb 0 lb 258 lb 0 lb 16 lb 0 lb ----- Structure Total: 7895 lb
--	---

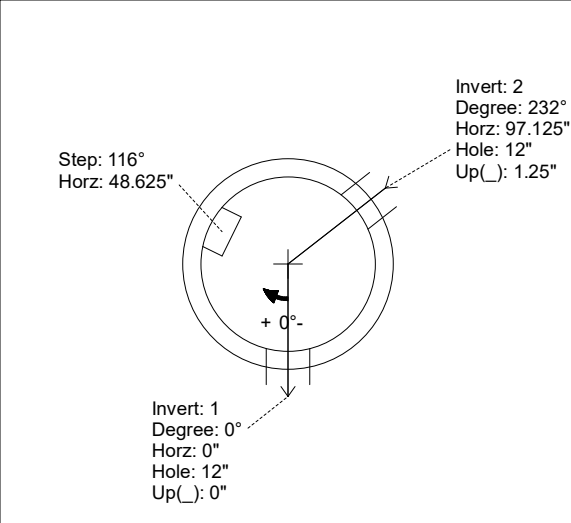
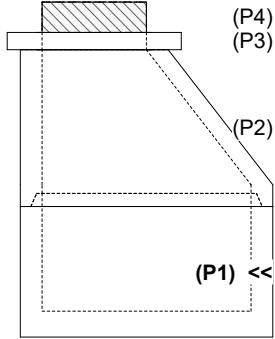
Structure Notes:

1. PER ASTM C-478 SPECIFICATIONS
2. CONCRETE: 4,000 PSI AT 28 DAYS
3. REINFORCEMENT: PER ASTM A615
4. INVERT CHANNEL REQUIRED
5. STEPS AT 116 DEGREES
6. HOE MC-315 FRAME & COVER "SANITARY" SUPPLIED BY ICAST

Rim: 755.9' Rim to Invert: 5.79' Slack: 0.48" Sump: 2" Step Position: 116°

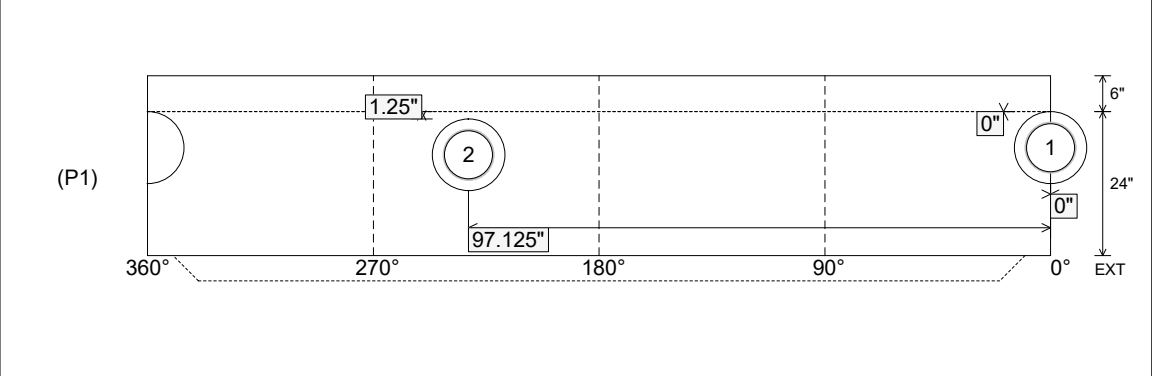
Position	Elev	Angle	Ext. (cw)	Pipe	Pipe OD	Connector	Hole	Horz Size	Up ()	Offset
Invert 1	750.11'	0°	0"	8" PVC SDR35	8.5"	PSX 12-08 NYLO	12"	12.129"	0"	0"
Invert 2	750.21'	232°	117.375"	8" PVC SDR35	8.5"	PSX 12-08 NYLO	12"	12.129"	1.25"	0"
Invert 3										
Invert 4										
Invert 5										
Invert 6										
Invert 7										
Invert 8										

RIGHT-SIDE UP VIEW (int. dimensions) UPSIDE-DOWN VIEW (int. dimenions)



INVERT CHANNEL DRAWING

INSIDE WALL DIMENSIONS



Coating (Int): Coating (Ext):	Seam Up: Tongue Seam Dn: n/a	Wall Thickness: 5" Floor Height: 6"	Height (Int): 24" Height (Ext): 30"	Weight (Net): 2911 lb Volume (Net): 0.74cu.yd
----------------------------------	---------------------------------	--	--	--