

Job Name: 25-1008D - MSU Science & Engineering Bldg  
 Job Location: Morehead, KY  
 Contractor: Lagco Inc.

Plant: 100

2/27/2026 6:56:22 AM

Tech: J. Horsley

PC: C. Goff



**Structure ID: K2-1 ST-MH**

**P2 MH048CN30**

**ECC CONE w/ 24" HOLE F/G**

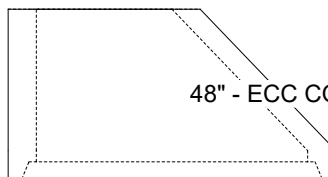
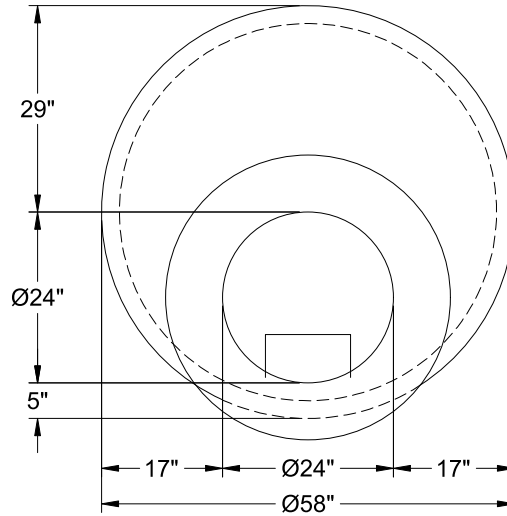
- P4) 24" - CASTING HEIGHT - 7"
- P3) 24" - GRADE RING F/F - 3"
- P2) 48" - ECC CONE w/ 24" HOLE F/G - 30"
- P1) 48" - MH BASE T/n - 36"
- 1) CASTING - HOE MC-315 F/C Storm
- 1) 48" - Conseal CS-102 1.00"
- 2) Hole - 16
- 6) MH Step ML-10-TDS-NCR - 10"

0 lb  
 202 lb  
 2050 lb  
 3674 lb  
 258 lb  
 0 lb  
 0 lb  
 0 lb  
 -----  
 6184 lb

Structure Total: 6184 lb

Structure Notes:

1. PER ASTM C-478 SPECIFICATIONS
2. CONCRETE: 4,000 PSI AT 28 DAYS
3. REINFORCEMENT: PER ASTM A615
4. STEPS REQUIRED
5. HOE MC-315 FRAME & COVER "STORM" SUPPLIED BY ICAST



48" - ECC CONE w/ 24" HOLE F/G - 30" - (P2)

Coating (Int):  
 Coating (Ext):

Seam Up: Flat  
 Seam Dn: Groove

Wall Thickness: 5"

Height (Ext): 30"

Weight (Net): 2050 lb  
 Volume (Net): 0.41cu.yd