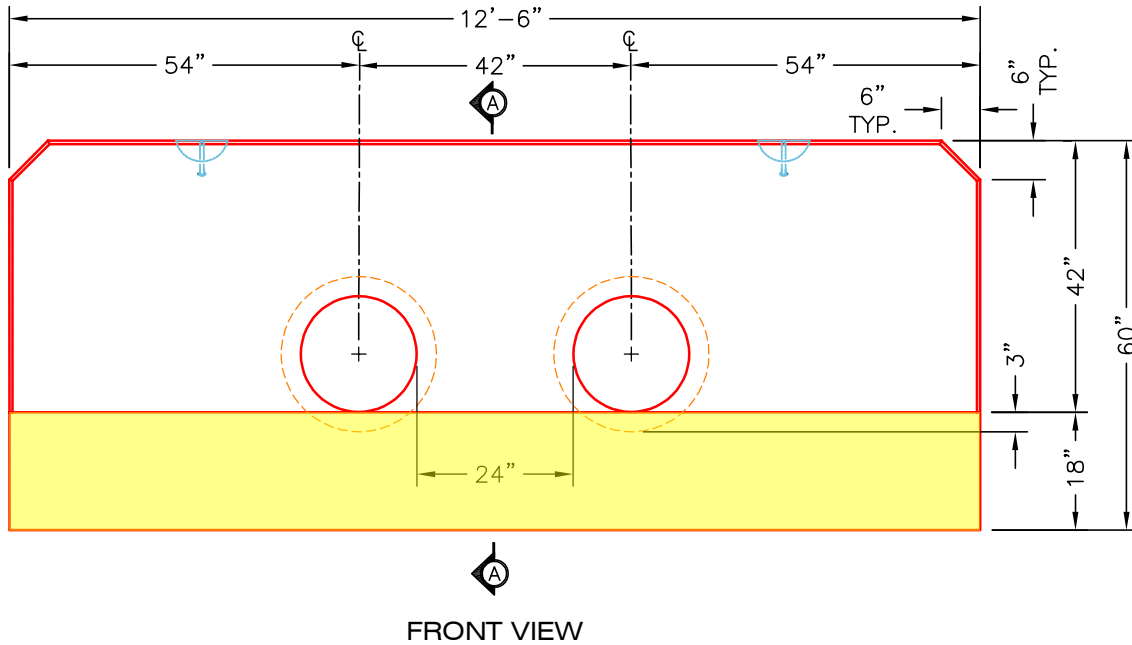
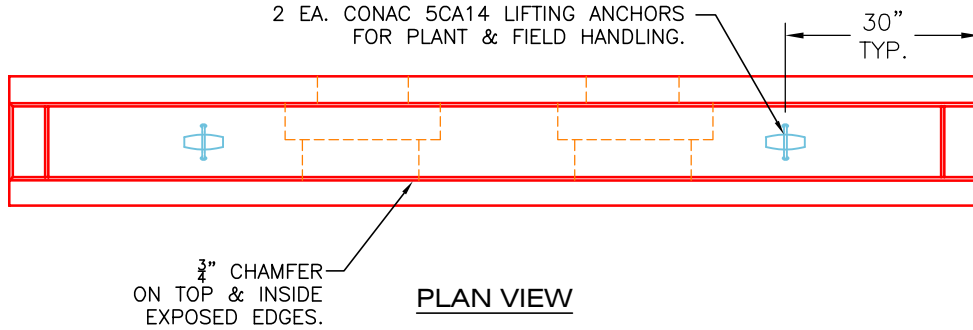
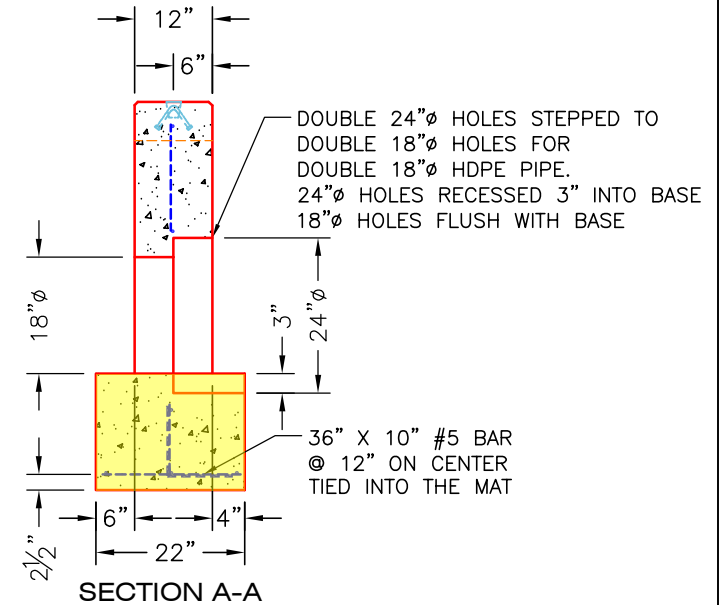


****24" DOUBLE HEADWALL MODIFIED FOR 18" PIPE****



FIRST POUR DRAWING
FIRST POUR - 4,984 LBS.

SECOND POUR - 5796 LBS.
TOTAL - 10,780 LBS.



NOTES:

1. CONCRETE: KYTC APPROVED.
2. REINFORCING: #5 BAR @ 12" C/C E.W.-GRADE 60, (WITH 2" CONCRETE COVER MINIMUM)
3. REINFORCING BARS TO BE TACK WELDED OR TIED.
4. WEIGHT: 10,780 LBS EACH.
5. TWO TOTAL REQUIRED.
6. PIPE AND LIFTING ANCHOR POCKETS TO BE GROUTED WITH KYTC APPROVED NON-SHRINK GROUT.
7. DRAWING TO BE USED IN CONJUNCTION WITH KYTC STD. DRAWING RDH-500-03 AND THE STANDARD SPECIFICATIONS FOR ROAD AND BRIDGE CONSTRUCTION.
8. 3/4" CHAMFER ON ALL EXPOSED EDGES.
9. PREFORMED STEPPED HOLE SIZED AS PER O.D. OF PIPE + 3"-4".

PRODUCTION WORK ORDER

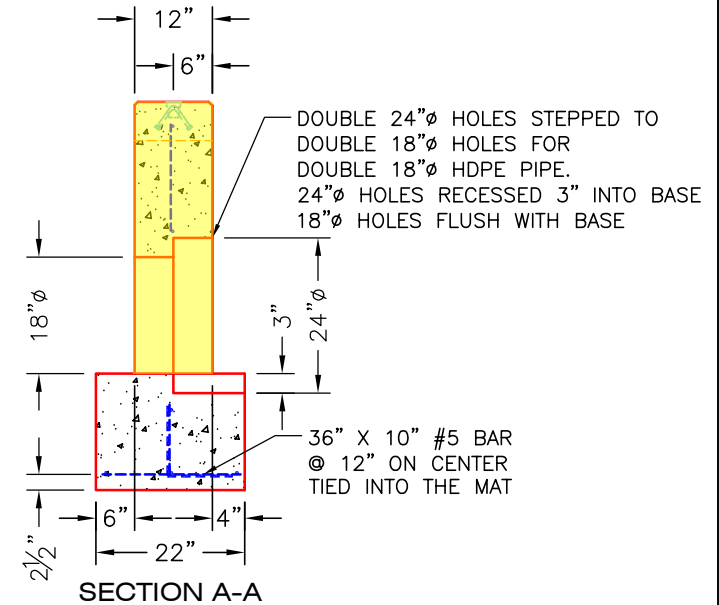
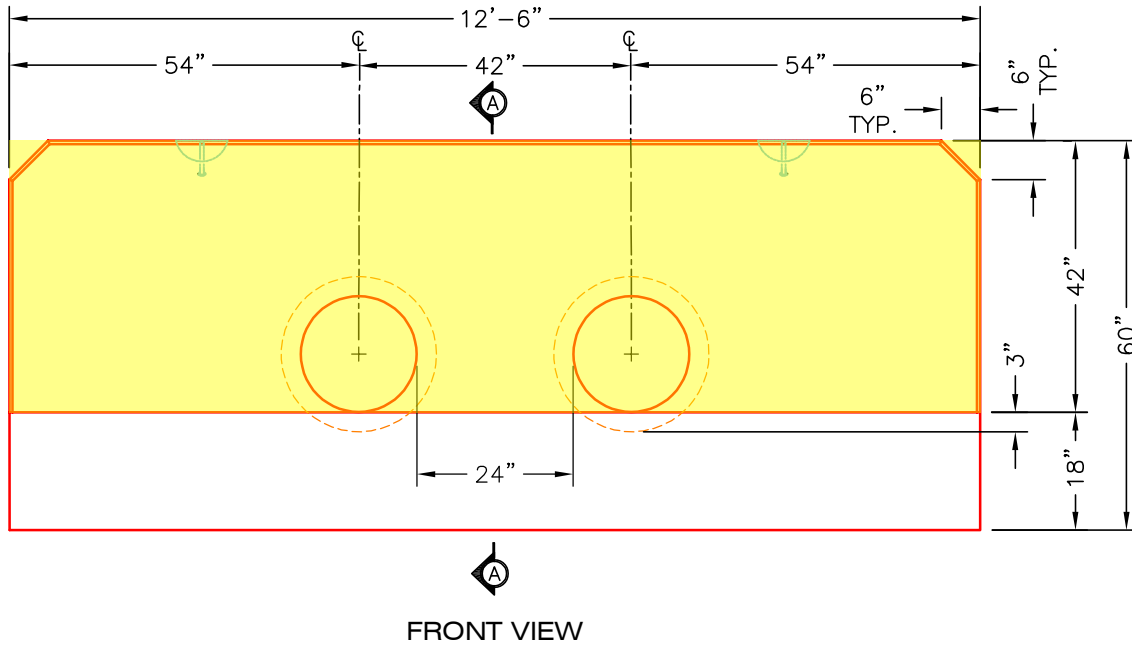
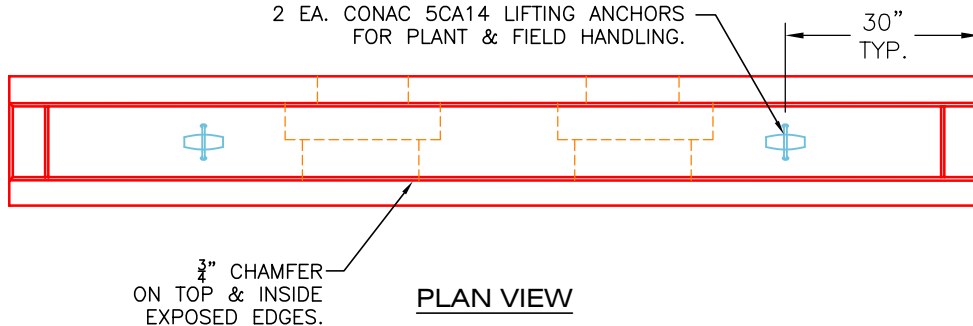
| | |
|-----------------------------|---|
| PRODUCT I.D.: HWKYTC-STD24D | DESCRIPTION: KYTC STD. DBL 24"Ø STR. HW FOR 18"Ø PIPE |
| PRODUCT VIEW: RIGHT SIDE UP | CUSTOMER: WINWATER HARTFORD KY CO. |
| PLANT: BEAVER DAM, KY. | PROJECT: WEIRS CREEK SUBDIVISION |
| WEIGHT: 10,780 LBS. | STRUCTURE ID.: 18IN DBL STRAIGHT HW 2 |
| TOP SECTION JOINT: N/A | SALES ORDER NO: 25-0232 |
| BASE SECTION JOINT: N/A | P.C.: A. CHAMBERS |
| QC CHECK INITIALS: | DRAWING: J. COPPAGE |
| | DATE: 10/15/25 |
| | SCALE: NTS |
| | PG. 1 of 1 |

QUALITY CONTROL CHECKLIST

| | |
|--------------------------|-----------------------------------|
| <input type="checkbox"/> | ALL DIMENSIONS CORRECT. |
| <input type="checkbox"/> | LIFTERS INSTALLED. |
| <input type="checkbox"/> | STEPPED HF'S CORRECT SIZE. |
| <input type="checkbox"/> | REINFORCING CORRECT. |
| <input type="checkbox"/> | CLEARANCE ON REINFORCING CORRECT. |
| <input type="checkbox"/> | EDGES CHAMFERED. |
| <input type="checkbox"/> | FORM FINISH ON EXPOSED FACE. |



****24" DOUBLE HEADWALL MODIFIED FOR 18" PIPE****



NOTES:

1. CONCRETE: KYTC APPROVED.
2. REINFORCING: #5 BAR @ 12" C/C E.W.-GRADE 60, (WITH 2" CONCRETE COVER MINIMUM)
3. REINFORCING BARS TO BE TACK WELDED OR TIED.
4. WEIGHT: 10,780 LBS EACH.
5. TWO TOTAL REQUIRED.
6. PIPE AND LIFTING ANCHOR POCKETS TO BE GROUTED WITH KYTC APPROVED NON-SHRINK GROUT.
7. DRAWING TO BE USED IN CONJUNCTION WITH KYTC STD. DRAWING RDH-500-03 AND THE STANDARD SPECIFICATIONS FOR ROAD AND BRIDGE CONSTRUCTION.
8. 3/4" CHAMFER ON ALL EXPOSED EDGES.
9. PREFORMED STEPPED HOLE SIZED AS PER O.D. OF PIPE + 3"-4".

SECOND POUR DRAWING
FIRST POUR - 4,984 LBS.
SECOND POUR - 5796 LBS.
TOTAL - 10,780 LBS.

PRODUCTION WORK ORDER

| QUALITY CONTROL CHECKLIST | |
|---------------------------|-----------------------------------|
| <input type="checkbox"/> | ALL DIMENSIONS CORRECT. |
| <input type="checkbox"/> | LIFTERS INSTALLED. |
| <input type="checkbox"/> | STEPPED HF'S CORRECT SIZE. |
| <input type="checkbox"/> | REINFORCING CORRECT. |
| <input type="checkbox"/> | CLEARANCE ON REINFORCING CORRECT. |
| <input type="checkbox"/> | EDGES CHAMFERED. |
| <input type="checkbox"/> | FORM FINISH ON EXPOSED FACE. |

| |
|-----------------------------|
| PRODUCT I.D.: HWKYTC-STD24D |
| PRODUCT VIEW: RIGHT SIDE UP |
| PLANT: BEAVER DAM, KY. |
| WEIGHT: 10,780 LBS. |
| TOP SECTION JOINT: N/A |
| BASE SECTION JOINT: N/A |
| QC CHECK INITIALS: |

| | |
|---|-----------------------|
| DESCRIPTION: KYTC STD. DBL 24"φ STR. HW FOR 18"φ PIPE | |
| CUSTOMER: WINWATER HARTFORD KY CO. | |
| PROJECT: WEIRS CREEK SUBDIVISION | |
| STRUCTURE ID.: 18IN DBL STRAIGHT HW 2 | |
| SALES ORDER NO: 25-0232 | |
| P.C.: A. CHAMBERS | DRAWING: J. COPPAGE |
| DATE: 10/15/25 | SCALE: NTS PG. 1 of 1 |

