

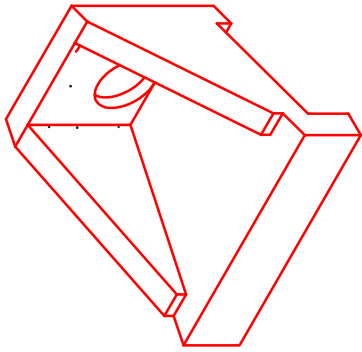


Structure ID: C7

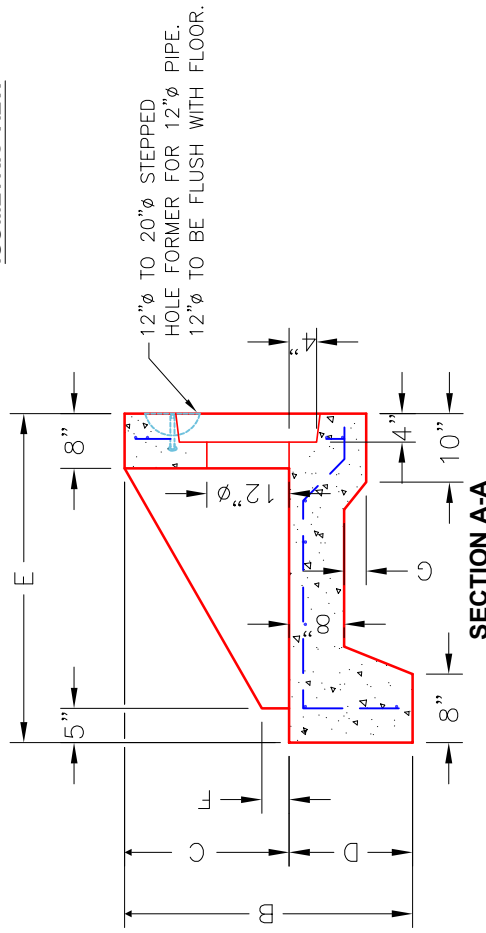
P1 HWSF12

12" - SLOPED & FLARED HEADWALL

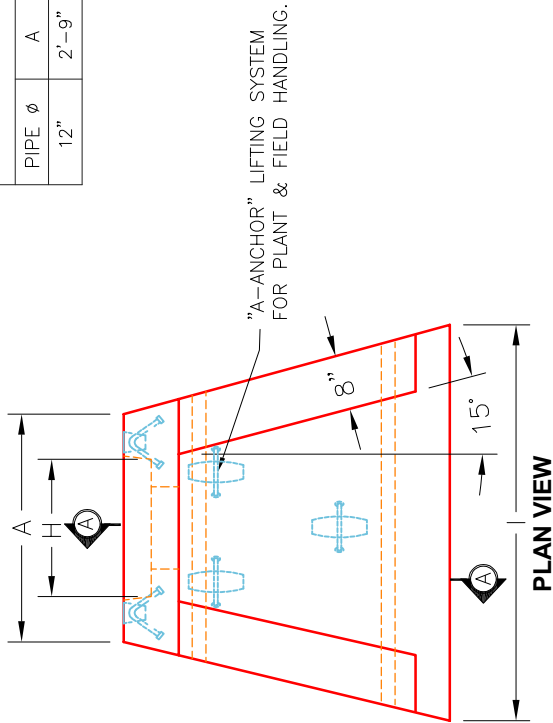
DIMENSIONS										
PIPE ϕ	A	B	C	D	E	F	G	H	I	WEIGHT
12"	2'-9"	3'-6"	2'-0"	1'-6"	4'-0"	3"	2 $\frac{3}{8}$ "	1'-8"	4'-9"	3,161 LBS.



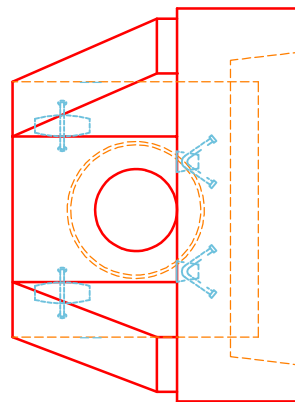
ISOMETRIC VIEW



SECTION A-A



PLAN VIEW



FRONT ELEVATION

- NOTES:**
1. CONCRETE: 4500 PSI @ 28 DAYS.
 2. REINFORCING: #4 BAR @ 12" C/C E.W. -GRADE 60, (WITH 2" CONCRETE COVER MINIMUM)
 3. REINFORCING BARS TO BE TACK WELDED OR TIED.
 4. DRAWING TO BE USED IN CONJUNCTION WITH KYTC STD. DRAWING RDH-020-03 AND THE STANDARD SPECIFICATIONS FOR ROAD AND BRIDGE CONSTRUCTION.
 5. $\frac{3}{4}$ " CHAMFER ON ALL EXPOSED EDGES.

PRODUCTION WORK ORDER	
PRODUCT I.D.: HWSF12	DESCRIPTION: 12" SLOPED & FLARED HEADWALL
PRODUCT VIEW: RIGHT SIDE UP	CUSTOMER: WINWATER HARTFORD KY CO.
PLANT: BEAVER DAM, KY.	PROJECT: BEN HAWES PICKLEBALL COURT
WEIGHT: 3,161 LBS.	STRUCTURE ID.: C7
TOP SECTION JOINT: N/A	SALES ORDER NO: 25-0231
BASE SECTION JOINT: N/A	PC: A. CHAMBERS
QC CHECK INITIALS:	DRAWING: J. COPPAGE
	DATE: 11/13/25
	SCALE: NTS
	Pg. 1 of 1



THIS DRAWING IS THE PROPERTY OF INFRASTRUCTURE PRECAST, INC. ANY USE OR DUPLICATION OF THIS DRAWING WITHOUT PRIOR AUTHORIZATION IS STRICTLY PROHIBITED.