

Job Name: 25-0230 - Casey's General Store 4606
Job Location: Morgantown, KY
Contractor: American Contracting LLC

PC: A. Chambers
 TECH: J. Horsley
 Plant: 100



Structure ID: **MH 9**
 Spec: KYTC
 Type: MH B private
 Size: 48"

Rim: 422.1'
 Invert: 415.67'
 Rim to Invert: 6.43'

Sump: 24"
 Floor (Top): 413.67'
 Floor Height: 6"

Floor (Bot): 413.17'
 Overall Height: 8.917'
 Slack: 0.16"

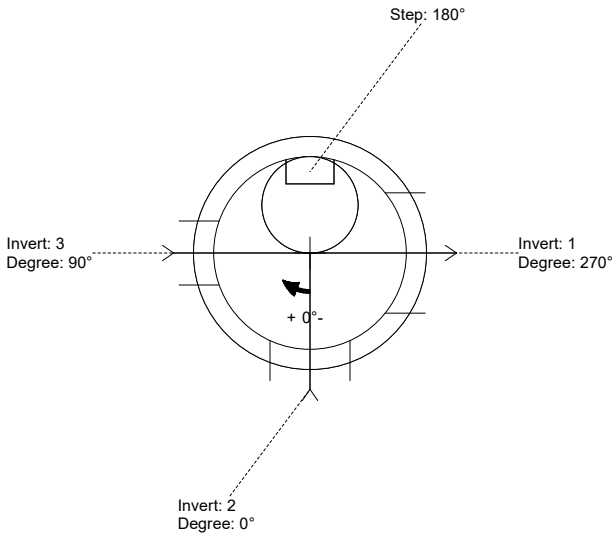
Structure Notes:

1. PER KYTC MANHOLE TYPE B / ASTM C-478 SPECIFICATIONS
2. CONCRETE: 4,000 PSI AT 28 DAYS
3. REINFORCEMENT: PER ASTM A615
3. NO STORM INVERT
4. STEPS AT 180 DEGREES
5. CASTING BY ICAST (HOE KY-510 FRAME & COVER)

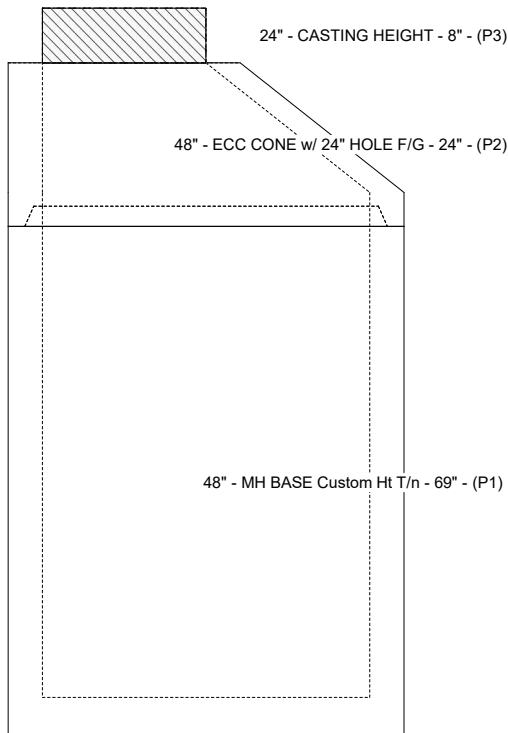
STRUCTURE SUMMARY:

- P3) 24" - CASTING HEIGHT - 8"
 P2) 48" - ECC CONE w/ 24" HOLE F/G - 24"
 P1) 48" - MH BASE Custom Ht T/n - 69"
- 1) CASTING - HOE KY-510 F/C (KY TY.2)
 - 1) 48" - Conseal CS-102 1.00"
 - 1) Hole - 30
 - 1) Hole - 20
 - 1) Hole - 16
 - 6) MH Step ML-10-TDS-NCR - 10"
- 0 lb
 1550 lb
 5613 lb
 510 lb
 0 lb
 0 lb
 0 lb
 0 lb
 0 lb

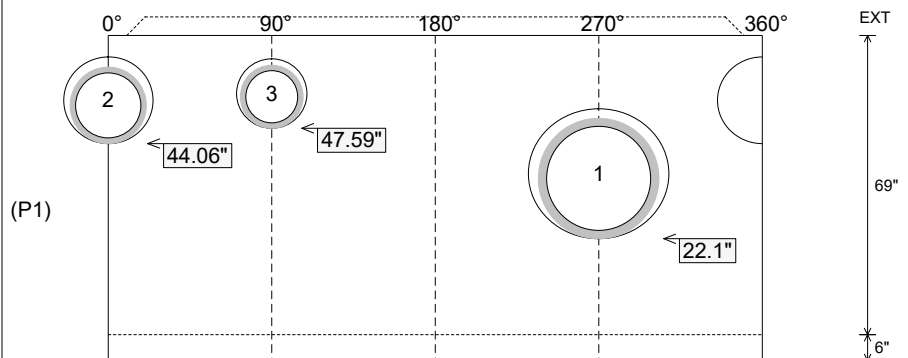
 Structure Total: 7673 lb



Position	Elev	Angle	Pipe	Pipe OD	Hole	Connector	Up (L)	Ref
Rim	422.1'							
Reducer								
Invert 1	415.67'	270°	24" HDPE	27.8"	30"	Hole 30	22.1"	P1
Invert 2	417.45'	0°	15" HDPE	17.6"	20"	Hole 20	44.06"	P1
Invert 3	417.74'	90°	12" HDPE	14.5"	16"	Hole 16	47.59"	P1
Invert 4								
Invert 5								
Invert 6								
Invert 7								
Invert 8								



Cast (Int. Dim.) - Interior Dimensions



Submittal Drawing
 1/7/2026 7:23:46 AM

SUBMITTAL
 APPROVED BY: