

Job Name: 25-0230 - Casey's General Store 4606  
 Job Location: Morgantown, KY  
 Contractor: American Contracting LLC

Plant: 100

1/7/2026 8:37:50 AM

Tech: J. Horsley

PC: A. Chambers



**Structure ID: MH 9**

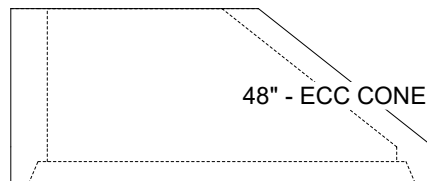
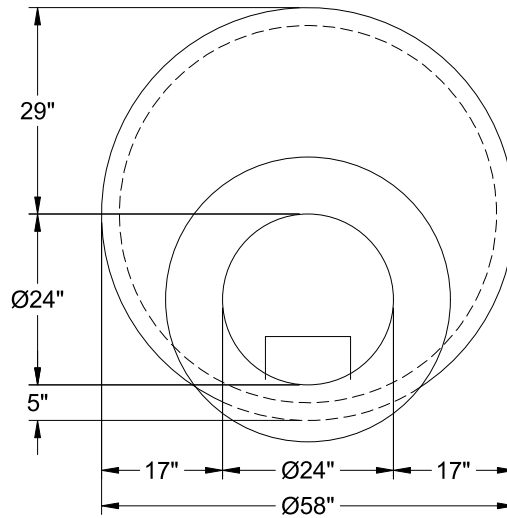
**P2 MH048CN24**

**ECC CONE w/ 24" HOLE F/G**

- P3) 24" - CASTING HEIGHT - 8"
- P2) 48" - ECC CONE w/ 24" HOLE F/G - 24"
- P1) 48" - MH BASE Custom Ht T/n - 69"
- 1) CASTING - HOE KY-510 F/C (KY TY.2)
- 1) 48" - Conseal CS-102 1.00"
- 1) Hole - 30
- 1) Hole - 20
- 1) Hole - 16
- 6) MH Step ML-10-TDS-NCR - 10"

0 lb  
 1550 lb  
 5613 lb  
 510 lb  
 0 lb  
 0 lb  
 0 lb  
 0 lb  
 0 lb  
 0 lb  
 -----  
 Structure Total: 7673 lb

- Structure Notes:**
1. PER KYTC MANHOLE TYPE B / ASTM C-478 SPECIFICATIONS
  2. CONCRETE: 4,000 PSI AT 28 DAYS
  3. REINFORCEMENT: PER ASTM A615
  3. NO STORM INVERT
  4. STEPS AT 180 DEGREES
  5. CASTING BY ICAST (HOE KY-510 FRAME & COVER)



48" - ECC CONE w/ 24" HOLE F/G - 24" - (P2)

Coating (Int):  
 Coating (Ext):

Seam Up: Flat  
 Seam Dn: Groove

Wall Thickness: 5"

Height (Ext): 24"

Weight (Net): 1550 lb  
 Volume (Net): 0.33cu.yd