

Job Name: 25-0230 - Casey's General Store 4606
Job Location: Morgantown, KY
Contractor: American Contracting LLC

PC: A. Chambers
 TECH: J. Horsley
 Plant: 100



Structure ID: **MH 8**
 Spec: KYTC
 Type: MH B (pipe recessed)
 Size: 48"

Rim: 420.87'
 Invert: 414.56'
 Rim to Invert: 6.31'

Sump: 9.72"
 Floor (Top): 413.75'
 Floor Height: 6"

Floor (Bot): 413.25'
 Overall Height: 7.583'
 Slack: 0.44"

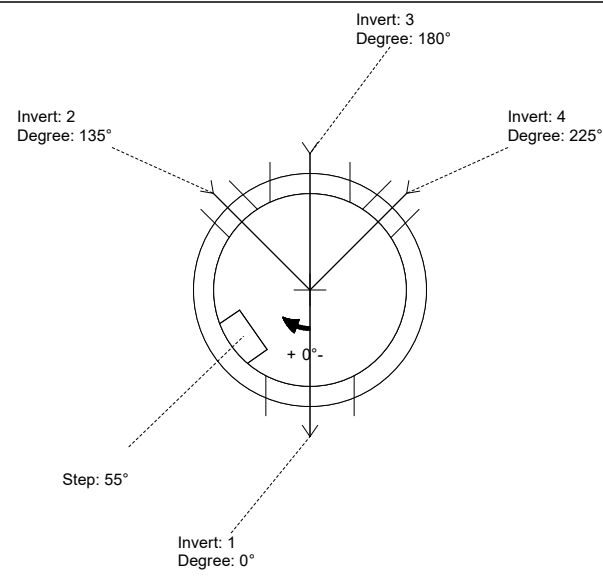
Structure Notes:

1. PER KYTC MANHOLE TYPE B / ASTM C-478 SPECIFICATIONS
2. CONCRETE: 4,000 PSI AT 28 DAYS
3. REINFORCEMENT: PER ASTM A615
4. NO STORM INVERT
5. STEPS AT 55 DEGREES
6. THIS STRUCTURE CONTAINS A WEIR WALL - SEE ATTACHED DRAWING FOR DETAILS
7. HATCH BY ICAST (HALLIDAY R1R48)
8. ORIFICE PLATE BY ICAST (TRASHRACKS PL-12-P)

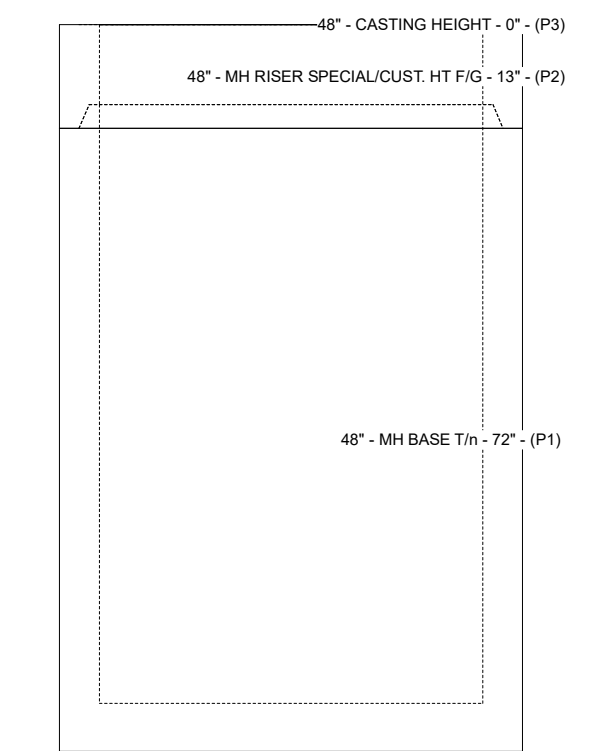
STRUCTURE SUMMARY:

- P3) 48" - CASTING HEIGHT - 0"
 - P2) 48" - MH RISER SPECIAL/CUST. HT F/G - 13"
 - P1) 48" - MH BASE T/n - 72"
 - 1) 48" x 69" - WEIR WALL 6" THK - SECONDARY POUR - *
 - 1) Plate - TRASHRACKS Orifice Plate PL-12-P (PLAIN)
 - 1) HATCH (Alum.) - HALLIDAY R1R 48"
 - 2) 48" - Conseal CS-102 1.00"
 - 1) Hole - 22
 - 2) Hole - 10
 - 1) Hole - 20
 - 6) MH Step ML-10-TDS-NCR - 10"
- 0 lb
 908 lb
 5994 lb
 1565 lb
 5 lb
 86 lb
 0 lb
 0 lb
 0 lb
 0 lb
 0 lb
 0 lb

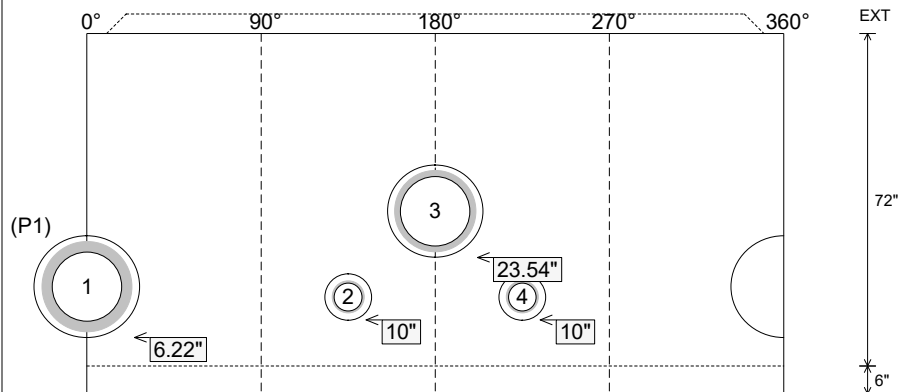
Structure Total: 8558 lb



Position	Elev	Angle	Pipe	Pipe OD	Hole	Connector	Up (')	Ref
Rim	420.87'							
Reducer								
Invert 1	414.56'	0°	15" RCP B WALL	19.5"	22"	Hole 22	6.22"	P1
Invert 2	414.75'	135°	6" HDPE (perf pipe)	6.9"	10"	Hole 10	10"	P1
Invert 3	415.92'	180°	15" HDPE	17.6"	20"	Hole 20	23.54"	P1
Invert 4	414.75'	225°	6" HDPE (perf pipe)	6.9"	10"	Hole 10	10"	P1
Invert 5								
Invert 6								
Invert 7								
Invert 8								



Cast (Int. Dim.) - Interior Dimensions



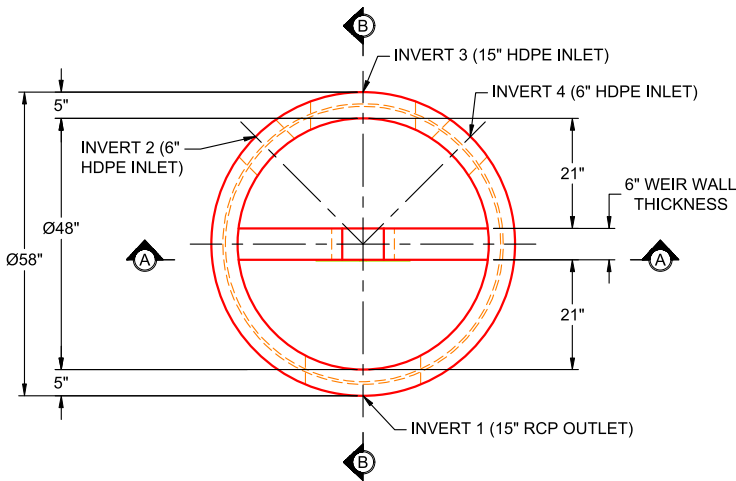
Submittal Drawing
 1/7/2026 7:23:46 AM

SUBMITTAL
 APPROVED BY:

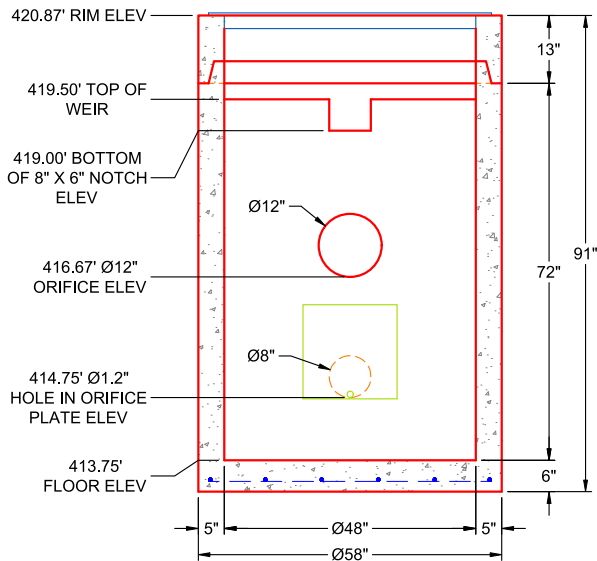
GENERAL NOTES:

1. PER ASTM C-478 (LATEST REVISION)
2. CONCRETE: 4,000 PSI AT 28 DAYS
3. WEIR WALL REINFORCEMENT: #4 BAR @ 12" C.C. E.W. (GRADE 60) DRILLED & DOWELED INTO BASE FLOOR (MIN. 4" PENETRATION)
4. WEIGHTS

72" BASE:	5,994 LBS
Ø48" X 69" X 6" WEIR WALL:	1,565 LBS
BASE & WEIR WALL TOTAL WEIGHT:	7,559 LBS



**PLAN VIEW
(CASTING NOT SHOWN
FOR CLARIFY)**

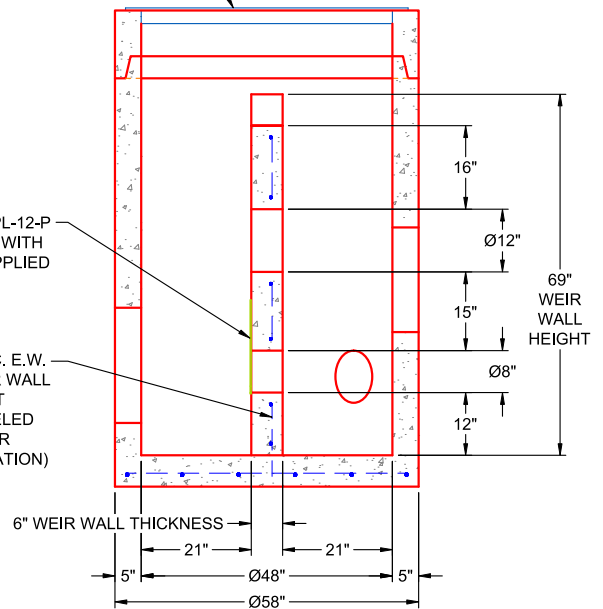


**SECTION A-A
(SOME DETAILS OMITTED
FOR CLARIFY)**

HALLIDAY R1R48 DROP-IN
HATCH SUPPLIED BY
ICAST

TRASHRACKS PL-12-P
ORIFICE PLATE WITH
Ø1.2" HOLE SUPPLIED
BY ICAST

#4 BAR @ 12" C.C. E.W.
(GRADE 60) WEIR WALL
REINFORCEMENT
DRILLED & DOWELED
INTO BASE FLOOR
(MIN. 4" PENETRATION)



**SECTION B-B
(SOME DETAILS OMITTED
FOR CLARIFY)**

REVISIONS

REV. 0	DATE:	NO REVISIONS TO DATE
--------	-------	----------------------



SUBMITTAL DRAWING: Ø48" X 69" X 6" WEIR WALL

CUSTOMER: AMERICAN CONTRACTING LLC

PROJECT: CASEY'S GENERAL STORE 4606

STRUCTURE: MH 8

SALES ORDER NO: 25-0230

CHECKED BY: B. SMITH DRAWN BY: K. CARDWELL

DATE: 01/07/26

SCALE: NTS

PG. WEIR