

**Job Name: 25-0230 - Casey's General Store 4606**  
**Job Location: Morgantown, KY**  
**Contractor: American Contracting LLC**

PC: A. Chambers  
 TECH: J. Horsley  
 Plant: 100



Structure ID: **MH 5**  
 Spec: KYTC  
 Type: MH B private  
 Size: 48"

Rim: 423.76'  
 Invert: 419.09'  
 Rim to Invert: 4.67'

Sump: 0"  
 Floor (Top): 419.09'  
 Floor Height: 6"

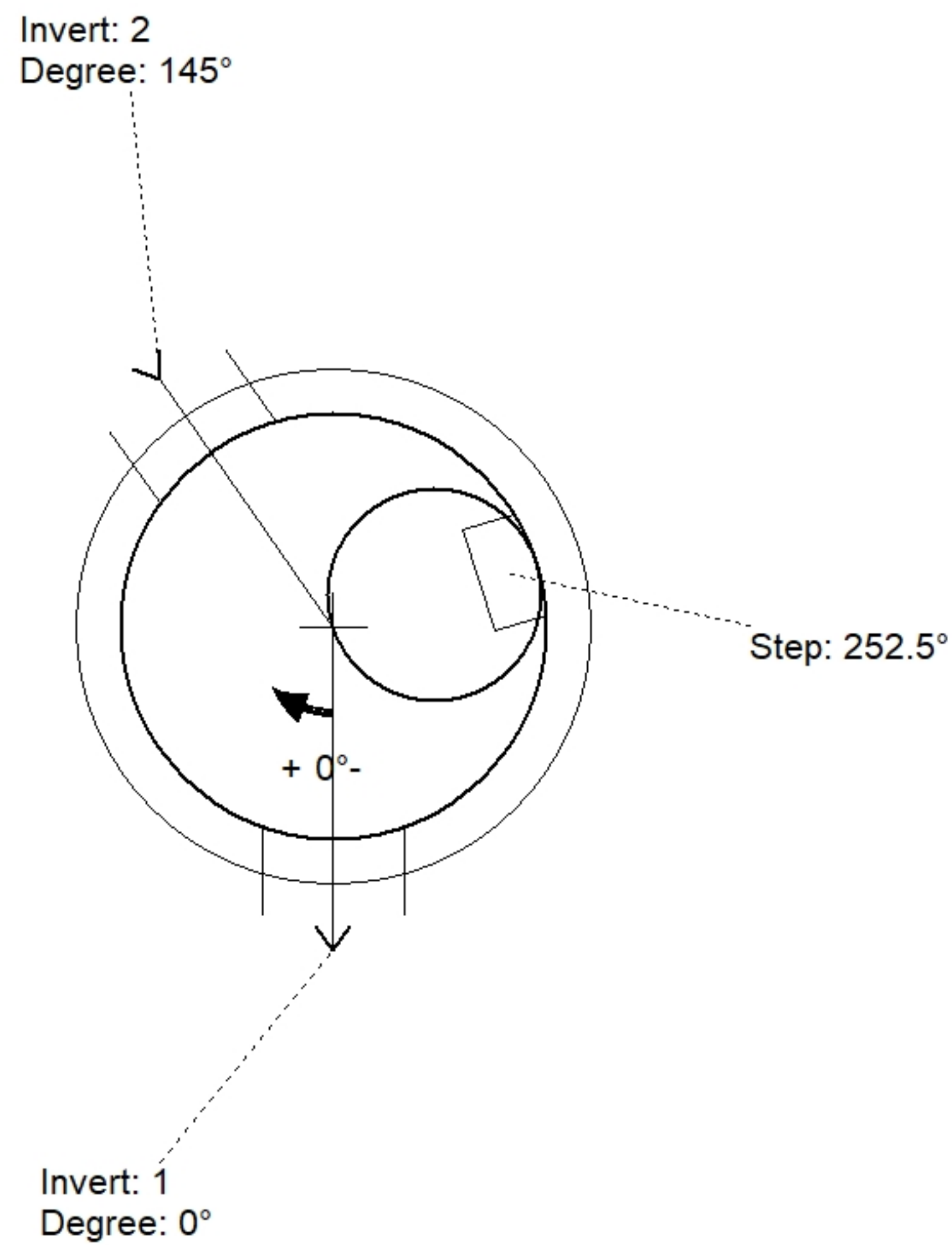
Floor (Bot): 418.59'  
 Overall Height: 5.167'  
 Slack: 0.04"

**Structure Notes:**

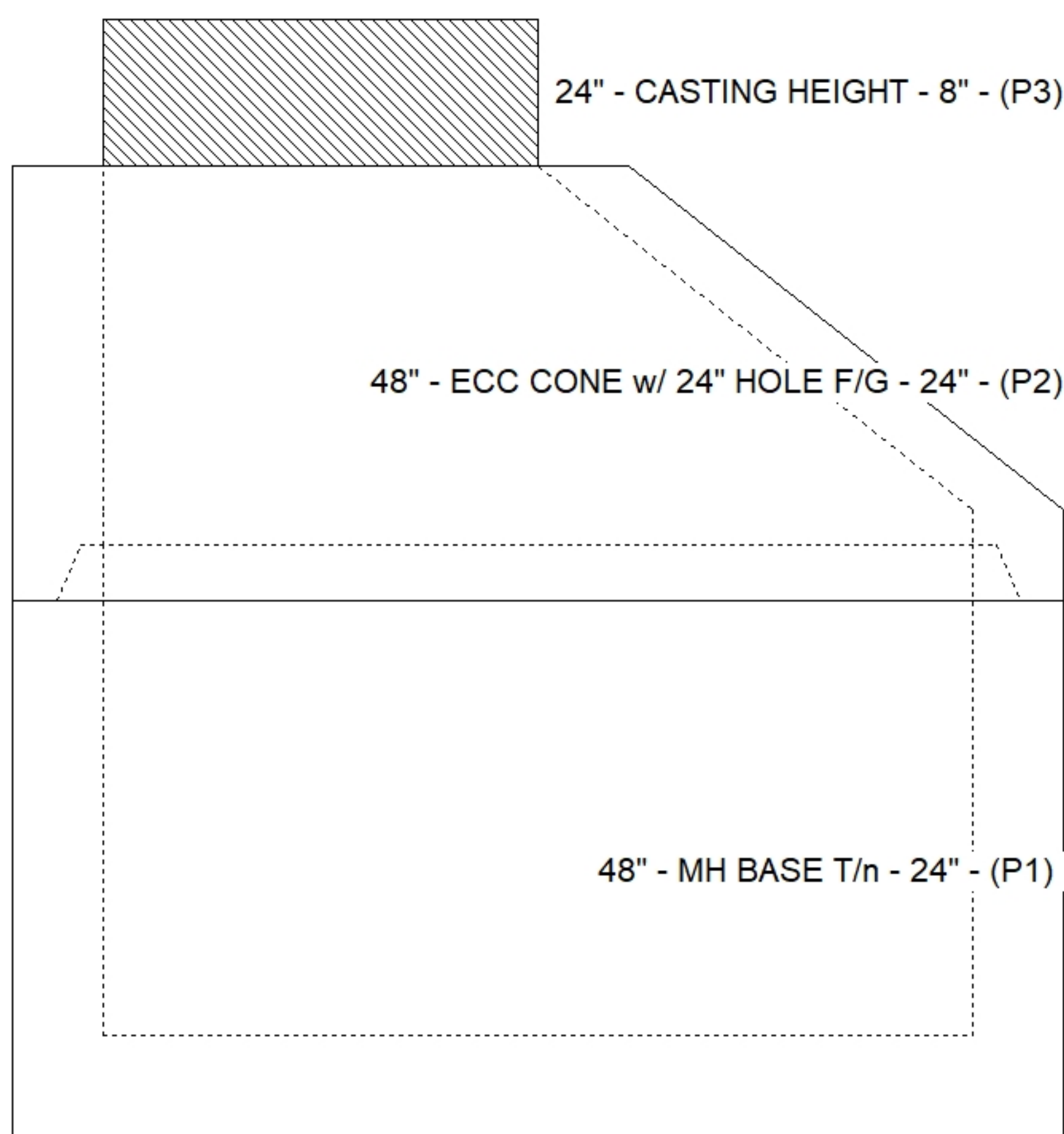
- KYTC DBI TYPE 11 / ASTM C-913 SPEC'S.
  - CONCRETE = 4,000 PSI AT 28 DAYS.
  - NO INVERT CHANNEL.
  - CASTING BY ICAST (HOE KY-510 F/C)
- REINFORCING PER ASTM A615 (GRADE 60).  
 - TOP SLAB = H2O LOADING.  
 - RISER/WALLS (As .12)  
 - FLOOR (As .31) #5 BARS AT 12" C.C.E.W.

**STRUCTURE SUMMARY:**

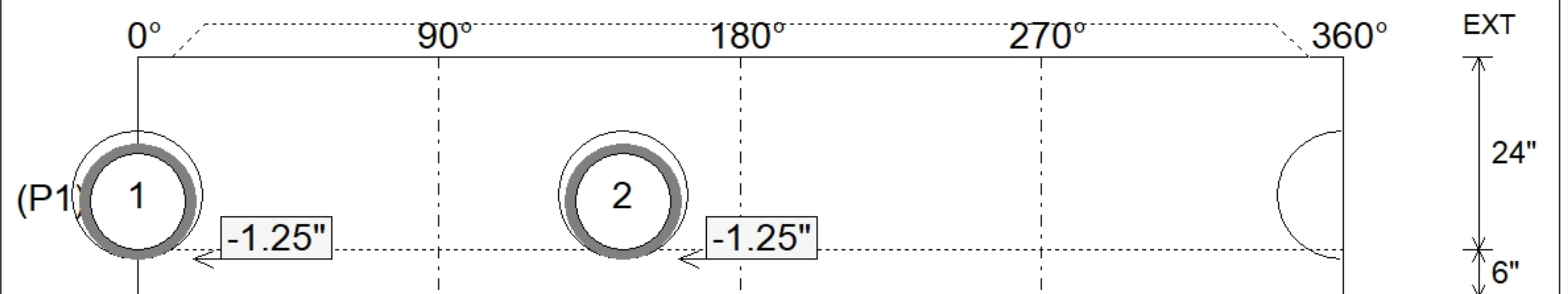
P3) 24" - CASTING HEIGHT - 8"	0 lb
P2) 48" - ECC CONE w/ 24" HOLE F/G - 24"	1550 lb
P1) 48" - MH BASE T/n - 24"	2835 lb
1) CASTING - HOE KY-510 F/C (KY TY.2)	510 lb
1) 48" - DBL 1"x14.5' Butyl (2x)	0 lb
2) Hole - 16	0 lb
4) MH Step ML-10-TDS-NCR - 10"	0 lb
<b>Structure Total:</b>	<b>4895 lb</b>



Position	Elev	Angle	Pipe	Pipe OD	Hole	Connector	Up ( )	Ref
Rim	423.76'							
Reducer								
Invert 1	419.09'	0°	12" HDPE	14.5"	16"	Hole 16	-1.25"	P1
Invert 2	419.09'	145°	12" HDPE	14.5"	16"	Hole 16	-1.25"	P1
Invert 3								
Invert 4								
Invert 5								
Invert 6								
Invert 7								
Invert 8								



**Cast (Int. Dim.) - Interior Dimensions**



Submittal Drawing  
 11/17/2025 12:24:39 PM

SUBMITTAL  
 APPROVED BY: