

Job Name: 25-0230 - Casey's General Store 4606	Plant: 100	Tech: J. Horsley	
Job Location: Morgantown, KY Contractor: American Contracting LLC	11/17/2025 12:26:36 PM	PC: A. Chambers	

Structure ID: MH 5

P2 MH048CN24

ECC CONE w/ 24" HOLE F/G

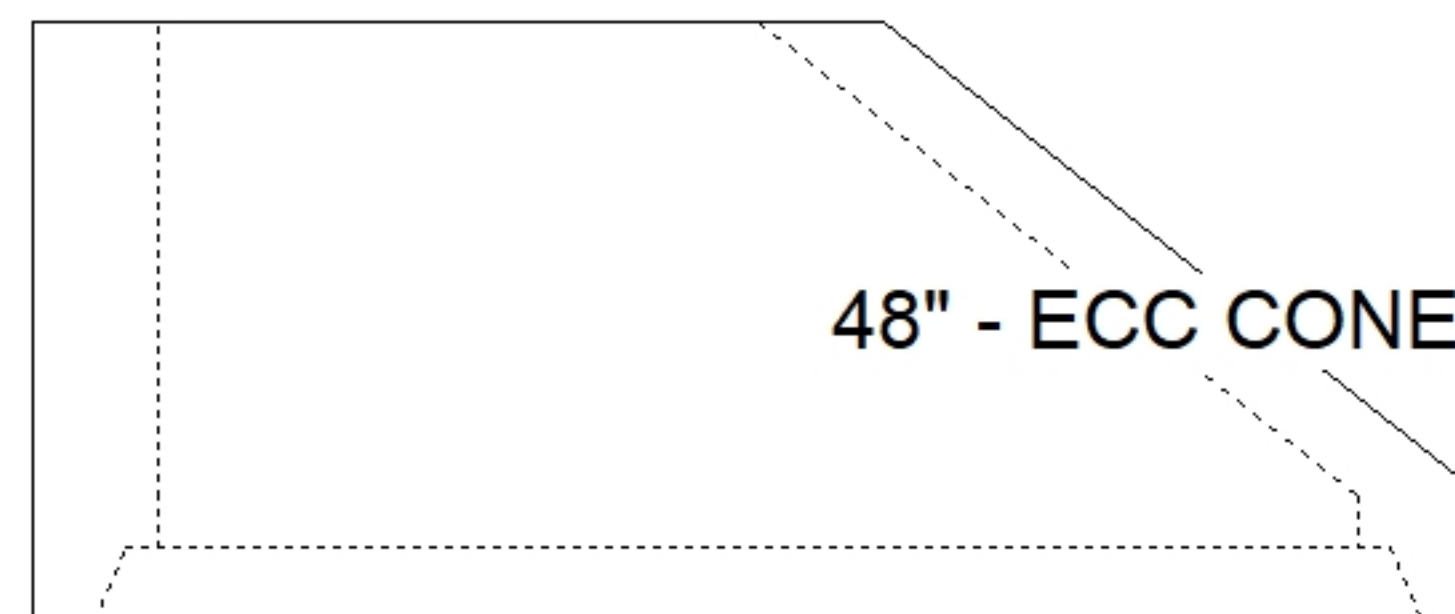
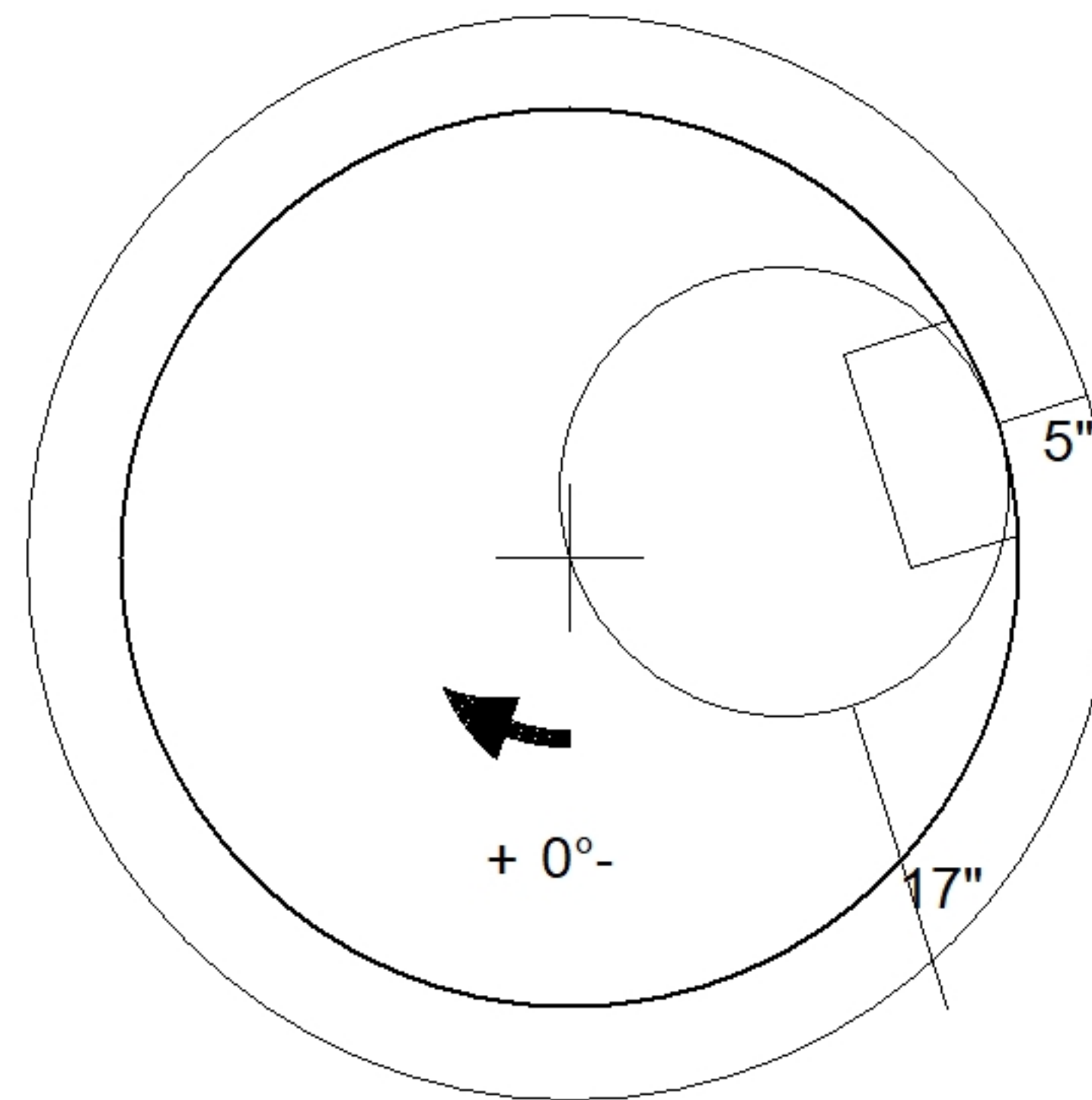
P3) 24" - CASTING HEIGHT - 8"	0 lb
P2) 48" - ECC CONE w/ 24" HOLE F/G - 24"	1550 lb
P1) 48" - MH BASE T/n - 24"	2835 lb
1) CASTING - HOE KY-510 F/C (KY TY.2)	510 lb
1) 48" - DBL 1"x14.5' Butyl (2x)	0 lb
2) Hole - 16	0 lb
4) MH Step ML-10-TDS-NCR - 10"	0 lb
Structure Total:	4895 lb

Structure Notes:

1. KYTC DBI TYPE 11 / ASTM C-913 SPEC'S.
2. CONCRETE = 4,000 PSI AT 28 DAYS.
3. NO INVERT CHANNEL.
4. CASTING BY ICAST (HOE KY-510 F/C)

REINFORCING PER ASTM A615 (GRADE 60).

- TOP SLAB = H2O LOADING.
- RISER/WALLS (As .12)
- FLOOR (As .31) #5 BARS AT 12" C.C.E.W.



Coating (Int):	Seam Up: Flat	Wall Thickness: 5"	Height (Ext): 24"	Weight (Net): 1550 lb
Coating (Ext):	Seam Dn: Groove			Volume (Net): 0.33cu.yd