

**Job Name: 25-0230 - Casey's General Store 4606**  
**Job Location: Morgantown, KY**  
**Contractor: American Contracting LLC**

PC: A. Chambers  
 TECH: J. Horsley  
 Plant: 100



Structure ID: **MH 11**  
 Spec: KYTC  
 Type: MH B private  
 Size: 48"

Rim: 421.39'  
 Invert: 415.67'  
 Rim to Invert: 5.72'

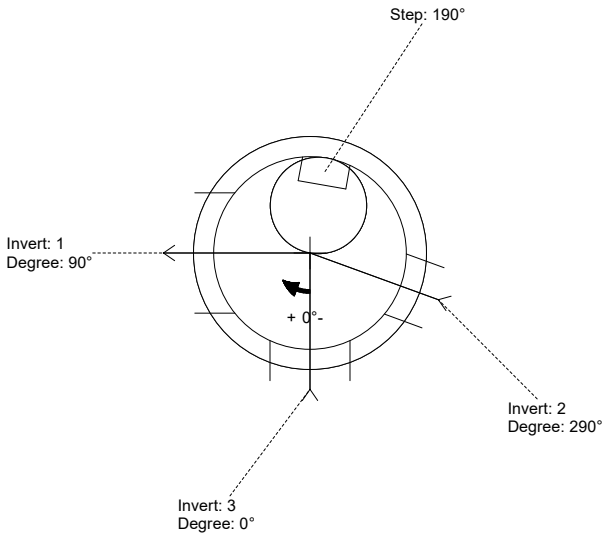
Sump: 24"  
 Floor (Top): 413.67'  
 Floor Height: 6"

Floor (Bot): 413.17'  
 Overall Height: 8.167'  
 Slack: 0.64"

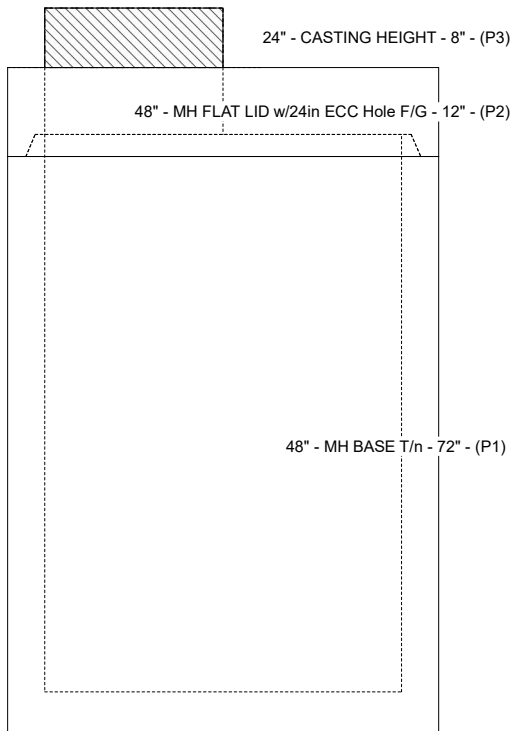
- Structure Notes:**
1. PER KYTC MANHOLE TYPE B / ASTM C-478 SPECIFICATIONS
  2. CONCRETE: 4,000 PSI AT 28 DAYS
  3. REINFORCEMENT:  
 - FLAT LID: #4 BAR @ 10" C.C. E.W. (GRADE 60)  
 - BASE: PER ASTM A615
  4. NO STORM INVERT
  5. STEPS AT 190 DEGREES
  6. CASTING BY ICAST (HOE KY-510 FRAME & COVER)

**STRUCTURE SUMMARY:**

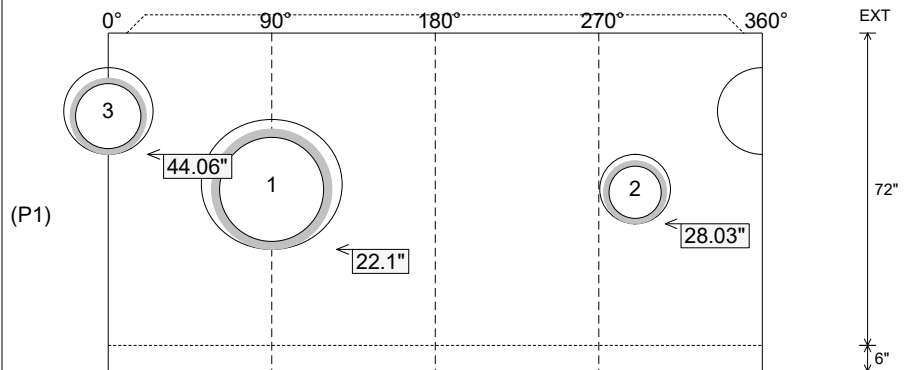
P3) 24" - CASTING HEIGHT - 8"	0 lb
P2) 48" - MH FLAT LID w/24in ECC Hole F/G - 12"	1561 lb
P1) 48" - MH BASE T/n - 72"	5823 lb
1) CASTING - HOE KY-510 F/C (KY TY.2)	510 lb
1) 48" - Conseal CS-102 1.00"	0 lb
1) Hole - 30	0 lb
1) Hole - 16	0 lb
1) Hole - 20	0 lb
4) MH Step ML-10-TDS-NCR - 10"	0 lb
	-----
<b>Structure Total:</b>	<b>7894 lb</b>



Position	Elev	Angle	Pipe	Pipe OD	Hole	Connector	Up (L)	Ref
Rim	421.39'							
Reducer								
Invert 1	415.67'	90°	24" HDPE	27.8"	30"	Hole 30	22.1"	P1
Invert 2	416.11'	290°	12" HDPE	14.5"	16"	Hole 16	28.03"	P1
Invert 3	417.45'	0°	15" HDPE	17.6"	20"	Hole 20	44.06"	P1
Invert 4								
Invert 5								
Invert 6								
Invert 7								
Invert 8								



**Cast (Int. Dim.) - Interior Dimensions**



Submittal Drawing  
 1/7/2026 7:23:50 AM

SUBMITTAL  
 APPROVED BY: