

Job Name: 25-0230 - Casey's General Store 4606
 Job Location: Morgantown, KY
 Contractor: American Contracting LLC

Plant: 100

1/7/2026 8:32:53 AM

Tech: J. Horsley

PC: A. Chambers



Structure ID: MH 11

P1 MH048BA72

MH BASE T/n

- P3) 24" - CASTING HEIGHT - 8"
- P2) 48" - MH FLAT LID w/24in ECC Hole F/G - 12"
- P1) 48" - MH BASE T/n - 72"
- 1) CASTING - HOE KY-510 F/C (KY TY.2)
- 1) 48" - Conseal CS-102 1.00"
- 1) Hole - 30
- 1) Hole - 16
- 1) Hole - 20
- 4) MH Step ML-10-TDS-NCR - 10"

0 lb
 1561 lb
 5823 lb
 510 lb
 0 lb
 0 lb
 0 lb
 0 lb
 0 lb
 0 lb
 Structure Total: 7894 lb

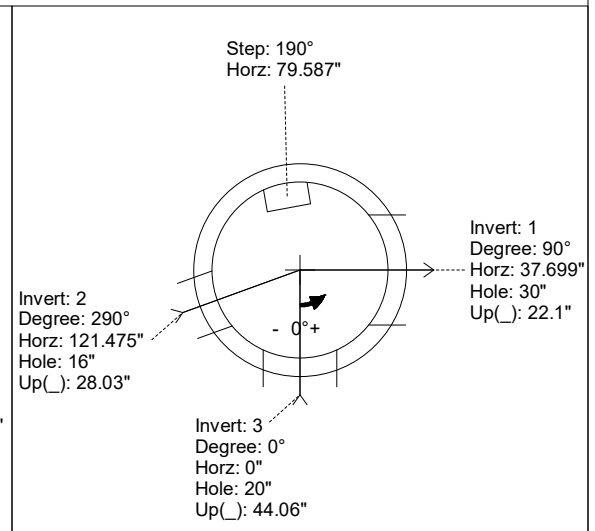
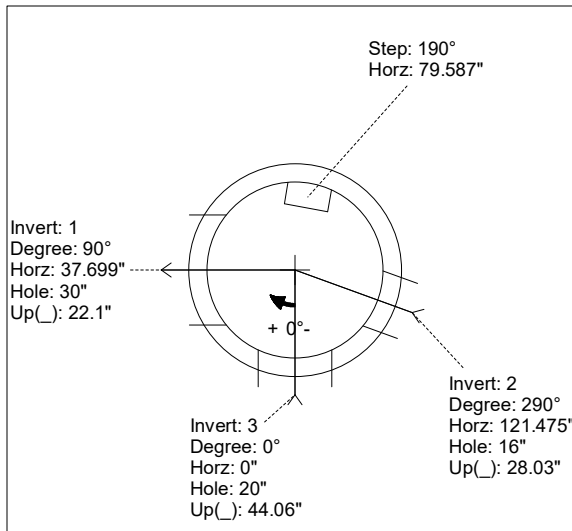
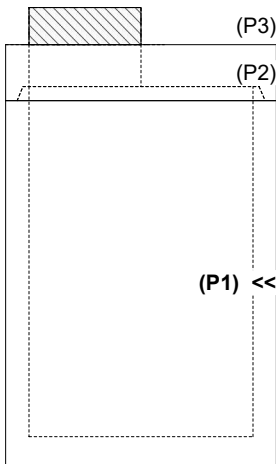
- Structure Notes:**
1. PER KYTC MANHOLE TYPE B / ASTM C-478 SPECIFICATIONS
 2. CONCRETE: 4,000 PSI AT 28 DAYS
 3. REINFORCEMENT: PER ASTM A615
 4. NO STORM INVERT
 5. STEPS AT 190 DEGREES
 6. CASTING BY ICAST (HOE KY-510 FRAME & COVER)

Rim: 421.39' Rim to Invert: 5.72' Slack: 0.64" Sump: 24" Step Position: 190°

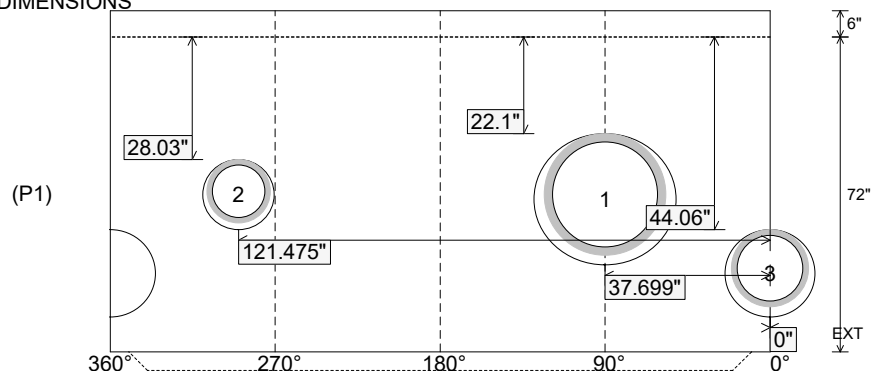
Position	Elev	Angle	Ext. (cw)	Pipe	Pipe OD	Connector	Hole	Horz Size	Up ()	Offset
Invert 1	415.67'	90°	45.553"	24" HDPE	27.8"	Hole 30	30"	32.406"	22.1"	0"
Invert 2	416.11'	290°	146.782"	12" HDPE	14.5"	Hole 16	16"	16.312"	28.03"	0"
Invert 3	417.45'	0°	0"	15" HDPE	17.6"	Hole 20	20"	20.629"	44.06"	0"
Invert 4										
Invert 5										
Invert 6										
Invert 7										
Invert 8										

RIGHT-SIDE UP VIEW (int. dimensions)

UPSIDE-DOWN VIEW (int. dimensions)



INSIDE WALL DIMENSIONS



Coating (Int):
 Coating (Ext):

Seam Up: Tongue
 Seam Dn: n/a

Wall Thickness: 5"
 Floor Height: 6"

Height (Int): 72"
 Height (Ext): 78"

Weight (Net): 5823 lb
 Volume (Net): 1.49cu.yd