

Structure ID: CB 7

P1 BX24300808VF

BOX BASE 8inW, 8inF, Variable Ht F/n

P2) 24" x 30" - CASTING HEIGHT - 3.75" P1) 24" x 30" - BOX BASE 8inW, 8inF, Variable Ht F/n - 26" 1) CASTING - HOE KY-460-11 F/G (DBI 11) 1) 24" x 30" - Conseal CS-102 1.00" 1) Hole - 16 1) Hole - 8	0 lb 3510 lb 421 lb 0 lb 0 lb 0 lb ----- Structure Total: 3931 lb
---	--

Structure Notes:

1. KYTC DBI TYPE 11 / ASTM C-913 SPEC'S.
2. CONCRETE = 4,000 PSI AT 28 DAYS.
3. NO INVERT CHANNEL.
4. NO STEPS.
5. DBI 11 FRAME/GRATE BY ICAST.

REINFORCING PER ASTM A615 (GRADE 60).

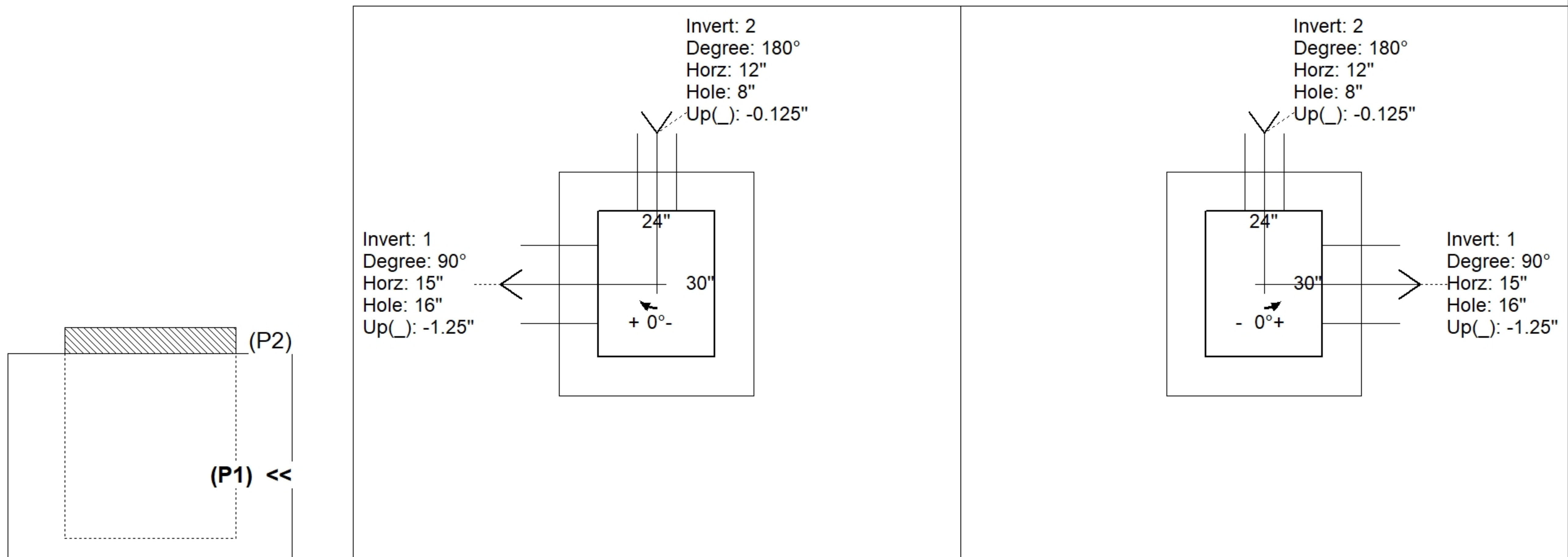
- WALLS (As .31) #5 BARS AT 12" C.C.E.W..
- FLOOR (As .31) #5 BARS AT 12" C.C.E.W.

Rim: 422.67' Rim to Invert: 2.5' Slack: 0.25" Sump: 0" Step Position:

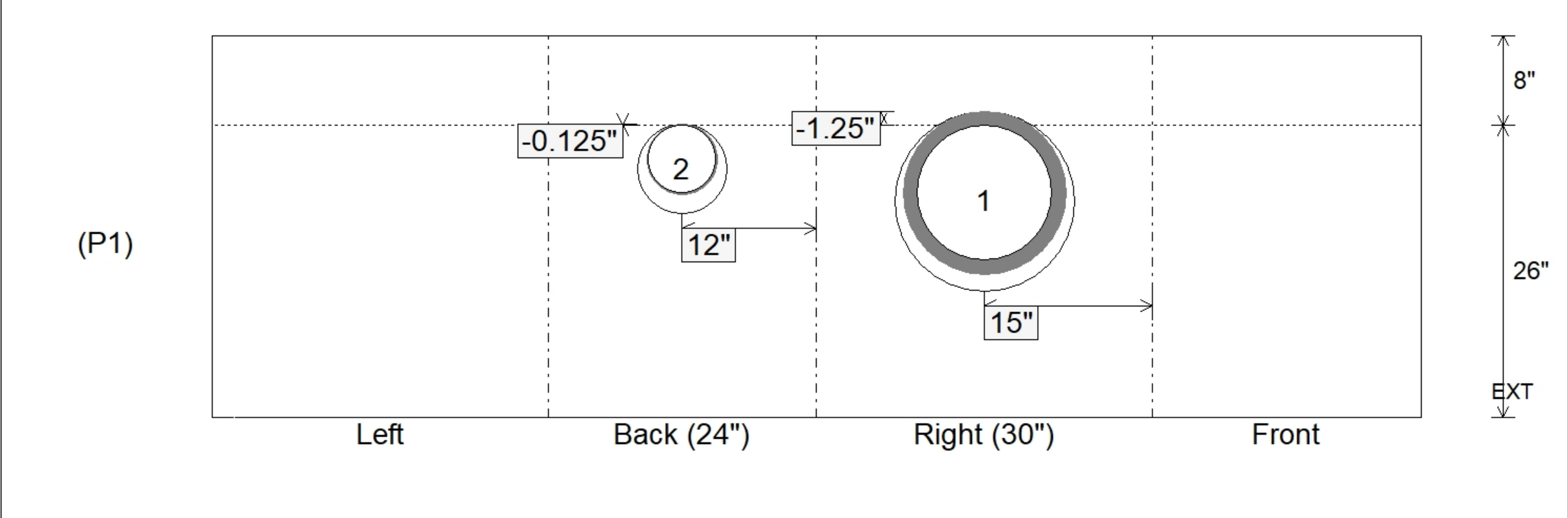
Position	Elev	Angle	Ext. (cw)	Pipe	Pipe OD	Connector	Hole	Horz Size	Up ()	Offset
Invert 1	420.17'	90°	23"	12" HDPE	14.5"	Hole 16	16"	16"	-1.25"	0"
Invert 2	420.17'	180°	20"	6" PVC SDR35	6.25"	Hole 8	8"	8"	-0.125"	0"
Invert 3										
Invert 4										
Invert 5										
Invert 6										
Invert 7										
Invert 8										

RIGHT-SIDE UP VIEW (int. dimensions)

UPSIDE-DOWN VIEW (int. dimensions)



INSIDE WALL DIMENSIONS



Coating (Int): Coating (Ext):	Seam Up: Flat Seam Dn: n/a	Wall Thickness: 8" Floor Height: 8"	Height (Int): 26" Height (Ext): 34"	Weight (Net): 3510 lb Volume (Net): 0.9cu.yd
----------------------------------	-------------------------------	--	--	---