

Job Name: 25-0230 - Casey's General Store 4606
 Job Location: Morgantown, KY
 Contractor: American Contracting LLC

Plant: 100

1/7/2026 9:25:48 AM

Tech: J. Horsley

PC: A. Chambers



Structure ID: CB 6

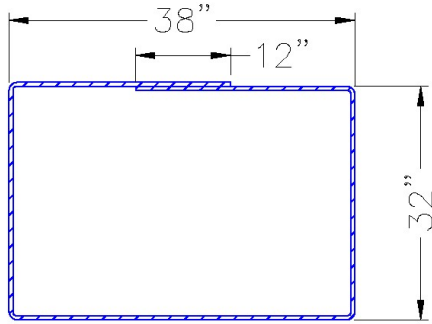
P2 GR24x30x8x3

GRADE RING F/F

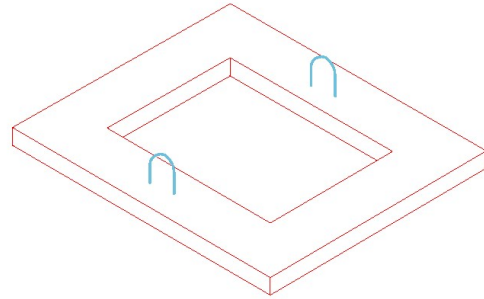
- P3) 24" x 30" - CASTING HEIGHT - 3.75"
- P2) 24" x 30" - GRADE RING F/F - 3"
- P1) 24" x 30" - BOX BASE 8inW, 8inF, Variable Ht F/n - 47"
- 1) CASTING - HOE KY-460-11 F/G (DBI 11)
- 2) 24" x 30" - Conseal CS-102 1.00"
- 2) Hole - 16
- 3) Hole - 6

- Structure Notes:**
1. PER ASTM C-913 SPECIFICATIONS
 2. CONCRETE: 4,000 PSI AT 28 DAYS
 3. REINFORCEMENT: #4 BAR AS SHOWN (GRADE 60)

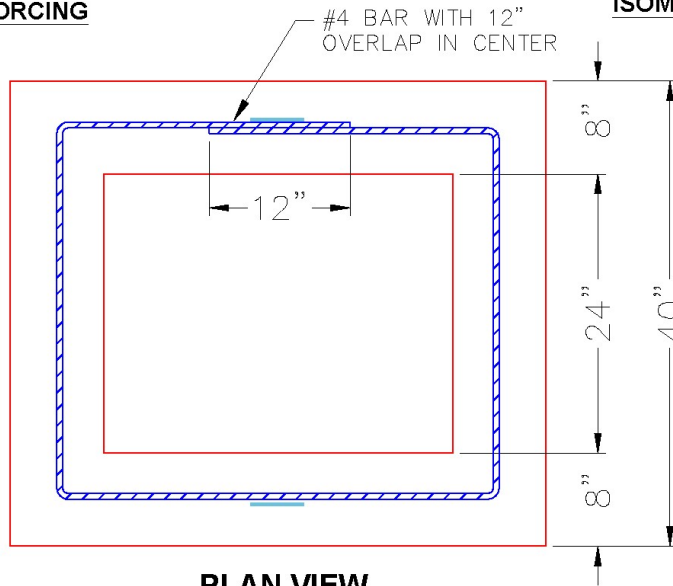
Structure Total: 5999 lb



#4 BAR REINFORCING

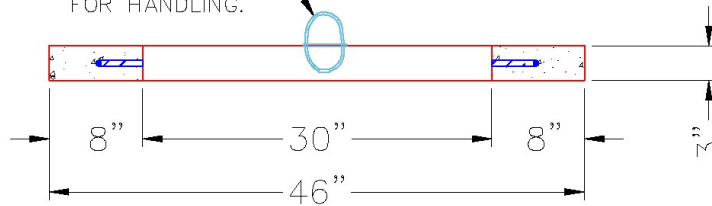


ISOMETRIC VIEW



PLAN VIEW

2 EA. CONAC .8 TON $8\frac{1}{8}$ "
 (6MM) WIRE ROPE ANCHORS
 FOR HANDLING.



SECTION A-A

Coating (Int):
 Coating (Ext):

Seam Up: Flat
 Seam Dn: Flat

Wall Thickness: 8"

Height (Ext): 3"

Weight (Net): 282 lb
 Volume (Net): 0.07cu.yd