

**Job Name: 25-0230 - Casey's General Store 4606**  
**Job Location: Morgantown, KY**  
**Contractor: American Contracting LLC**

PC: A. Chambers  
 TECH: J. Horsley  
 Plant: 100



Structure ID: **CB 4**  
 Spec: KYTC  
 Type: DBI TYPE 11 private  
 Size: 24" x 30"

Rim: 422.1'  
 Invert: 418.57'  
 Rim to Invert: 3.53'

Sump: 0"  
 Floor (Top): 418.57'  
 Floor Height: 8"

Floor (Bot): 417.903'  
 Overall Height: 4.146'  
 Slack: 0.61"

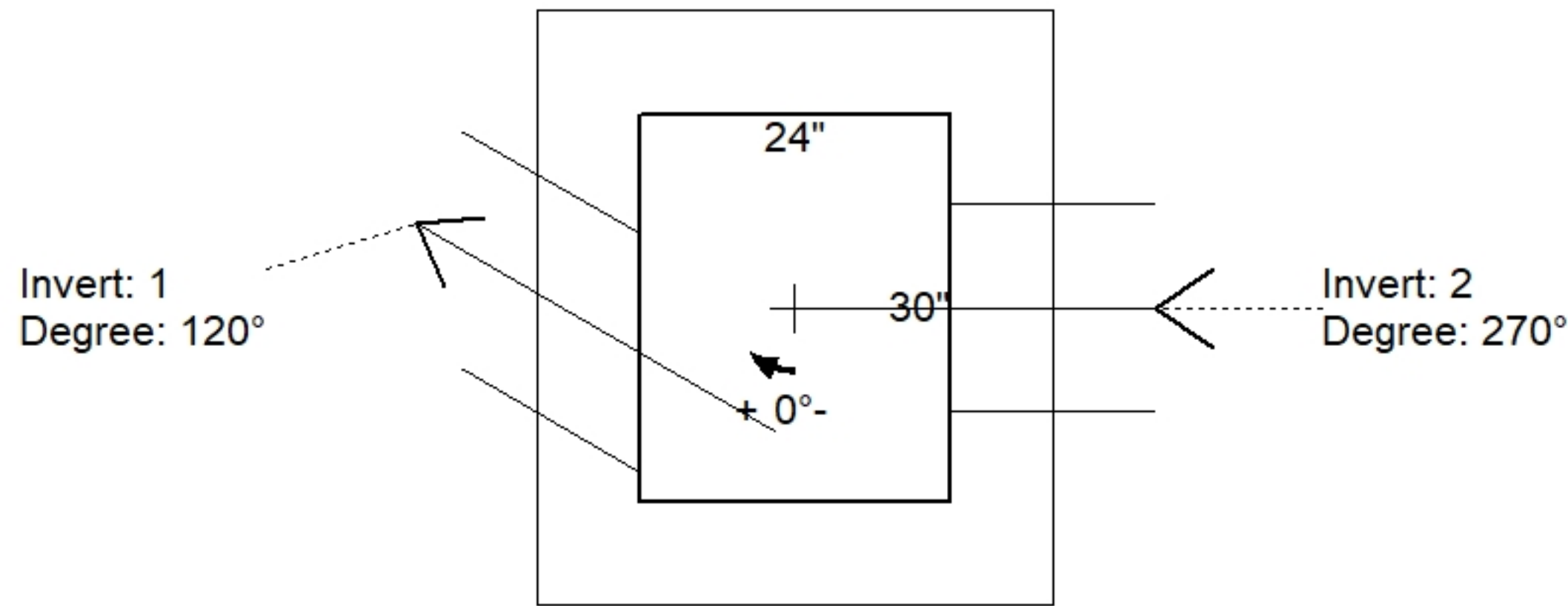
**Structure Notes:**

1. KYTC DBI TYPE 11 / ASTM C-913 SPEC'S.
2. CONCRETE = 4,000 PSI AT 28 DAYS.
3. NO INVERT CHANNEL.
4. NO STEPS.
5. DBI 11 FRAME/GRATE BY ICAST.

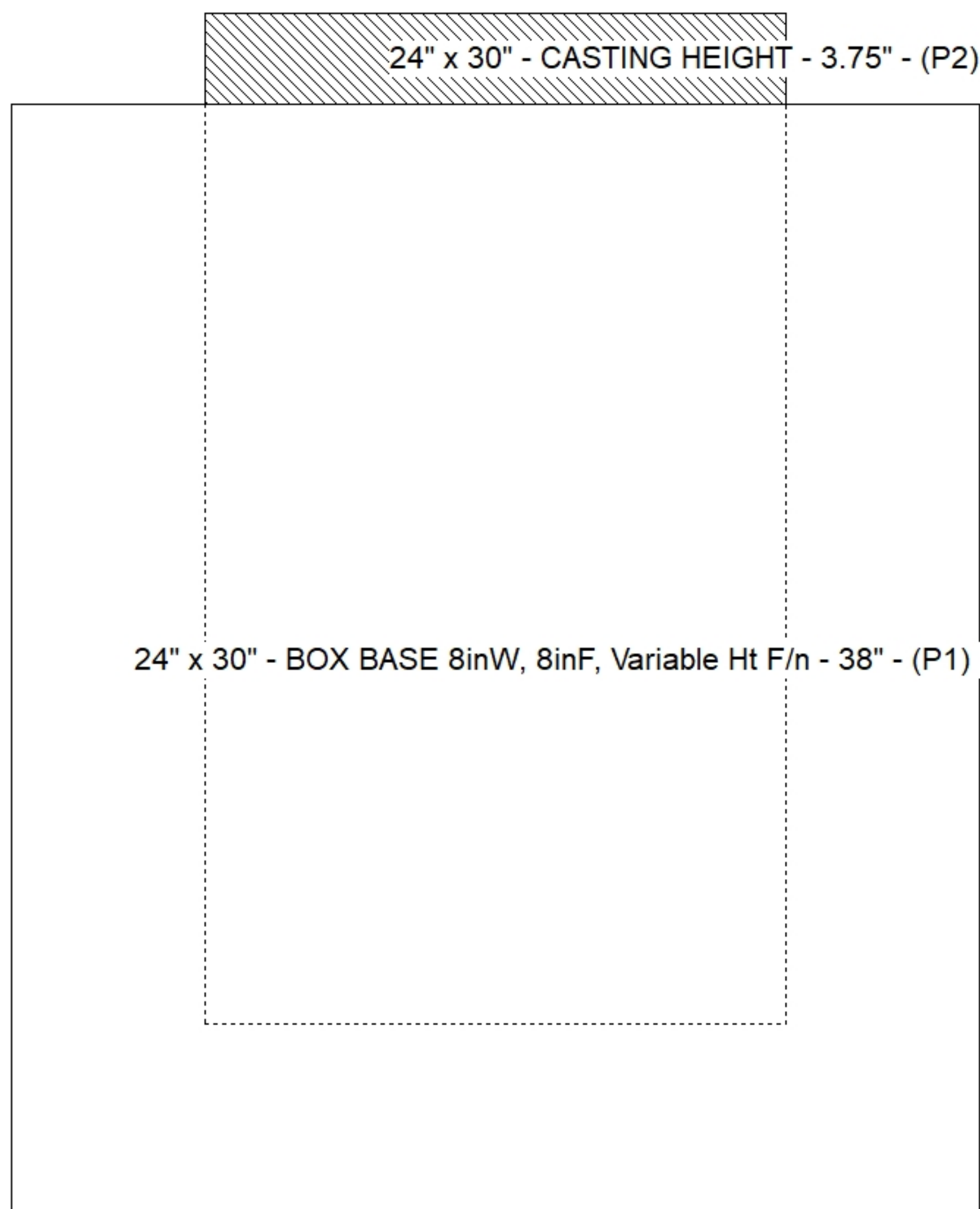
REINFORCING PER ASTM A615 (GRADE 60).  
 - WALLS (As .31) #5 BARS AT 12" C.C.E.W.  
 - FLOOR (As .31) #5 BARS AT 12" C.C.E.W.

**STRUCTURE SUMMARY:**

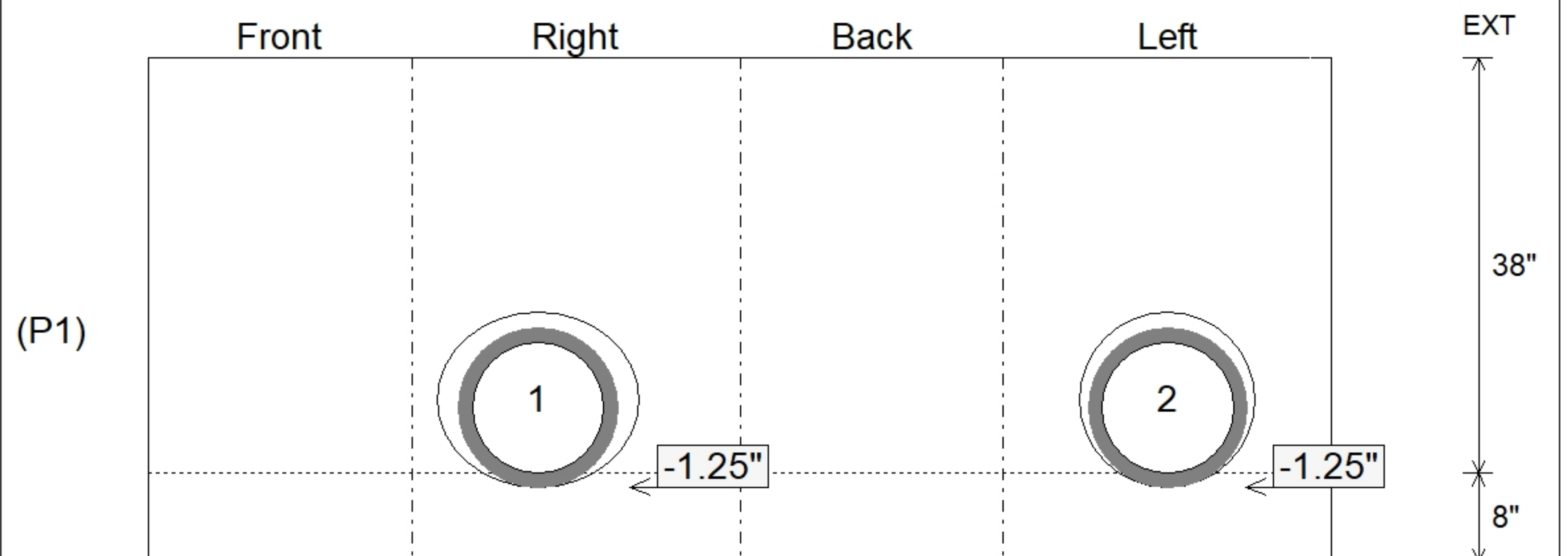
P2) 24" x 30" - CASTING HEIGHT - 3.75"	0 lb
P1) 24" x 30" - BOX BASE 8inW, 8inF, Variable Ht F/n - 38"	4516 lb
1) CASTING - HOE KY-460-11 F/G (DBI 11)	421 lb
1) 24" x 30" - Conseal CS-102 1.00"	0 lb
2) Hole - 16	0 lb
	-----
<b>Structure Total:</b>	<b>4937 lb</b>



Position	Elev	Angle	Pipe	Pipe OD	Hole	Connector	Up ( )	Ref
Rim	422.1'							
Reducer								
Invert 1	418.57'	120°	12" HDPE	14.5"	16"	Hole 16	-1.25"	P1
Invert 2	418.57'	270°	12" HDPE	14.5"	16"	Hole 16	-1.25"	P1
Invert 3								
Invert 4								
Invert 5								
Invert 6								
Invert 7								
Invert 8								



**Cast (Int. Dim.) - Interior Dimensions**



Submittal Drawing  
 11/17/2025 12:24:39 PM

SUBMITTAL  
 APPROVED BY: