

Job Name: 25-0230 - Casey's General Store 4606
 Job Location: Morgantown, KY
 Contractor: American Contracting LLC

Plant: 100

11/17/2025 12:25:30 PM

Tech: J. Horsley

PC: A. Chambers



Structure ID: CB 3

P1 BX24300808VF

BOX BASE 8inW, 8inF, Variable Ht F/n

- P2) 24" x 30" - CASTING HEIGHT - 3.75"
- P1) 24" x 30" - BOX BASE 8inW, 8inF, Variable Ht F/n - 38"
- 1) CASTING - HOE KY-460-11 F/G (DBI 11)
- 1) 24" x 30" - Conseal CS-102 1.00"
- 2) Hole - 16
- 3) Hole - 6

0 lb
 4466 lb
 421 lb
 0 lb
 0 lb
 0 lb

 Structure Total: 4887 lb

Structure Notes:

1. KYTC DBI TYPE 11 / ASTM C-913 SPEC'S.
2. CONCRETE = 4,000 PSI AT 28 DAYS.
3. NO INVERT CHANNEL.
4. NO STEPS.
5. DBI 11 FRAME/GRATE BY ICAST

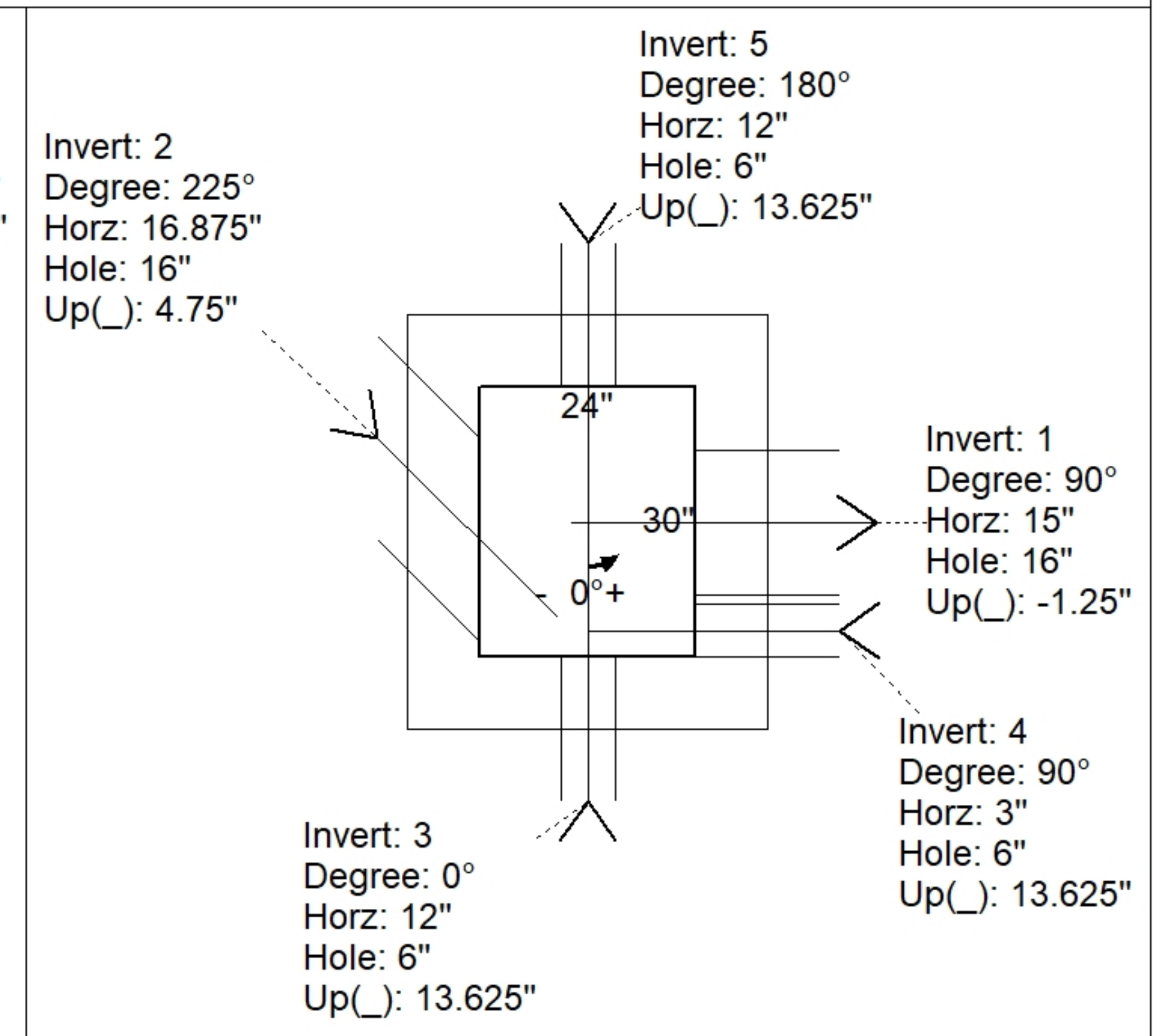
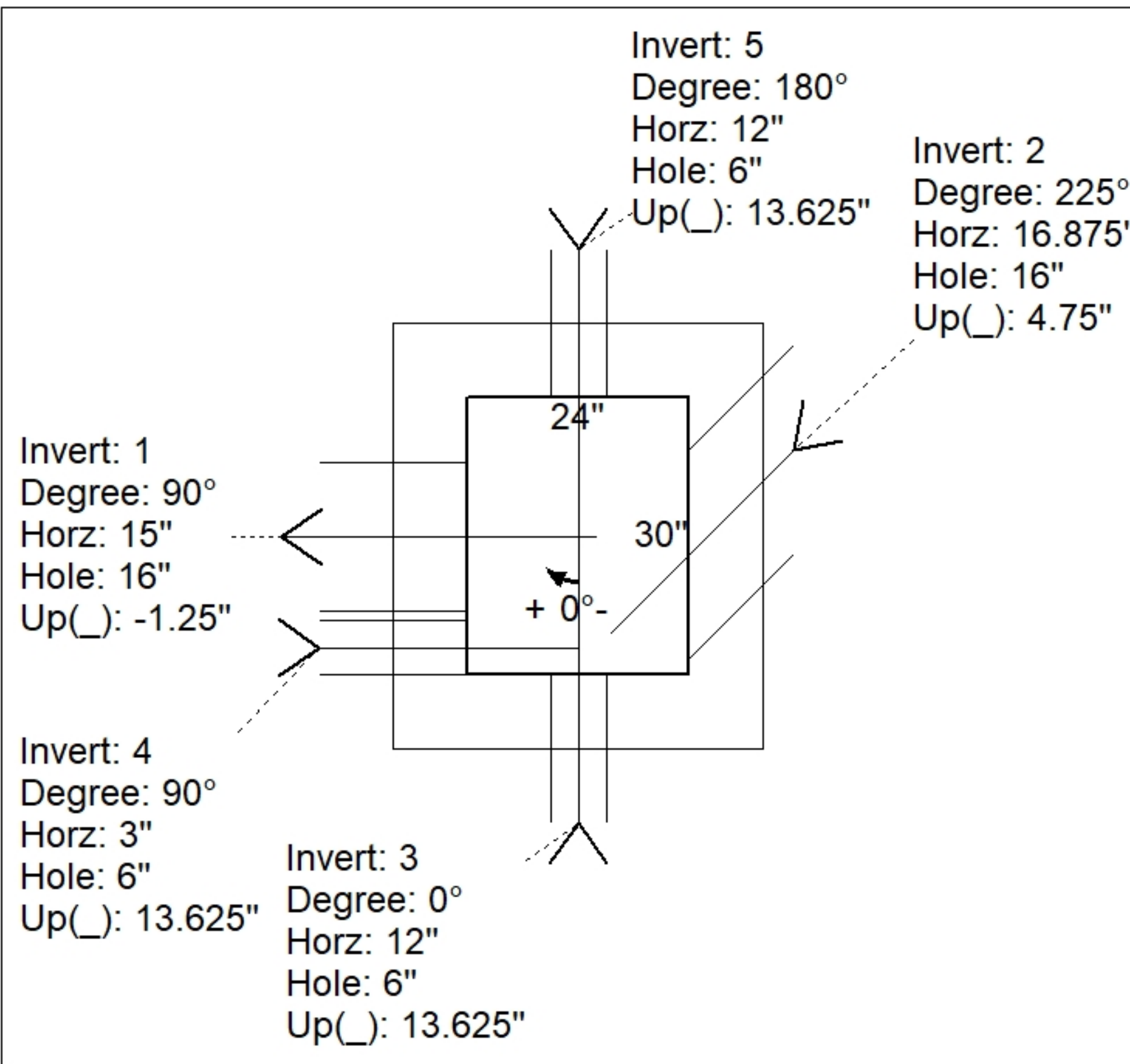
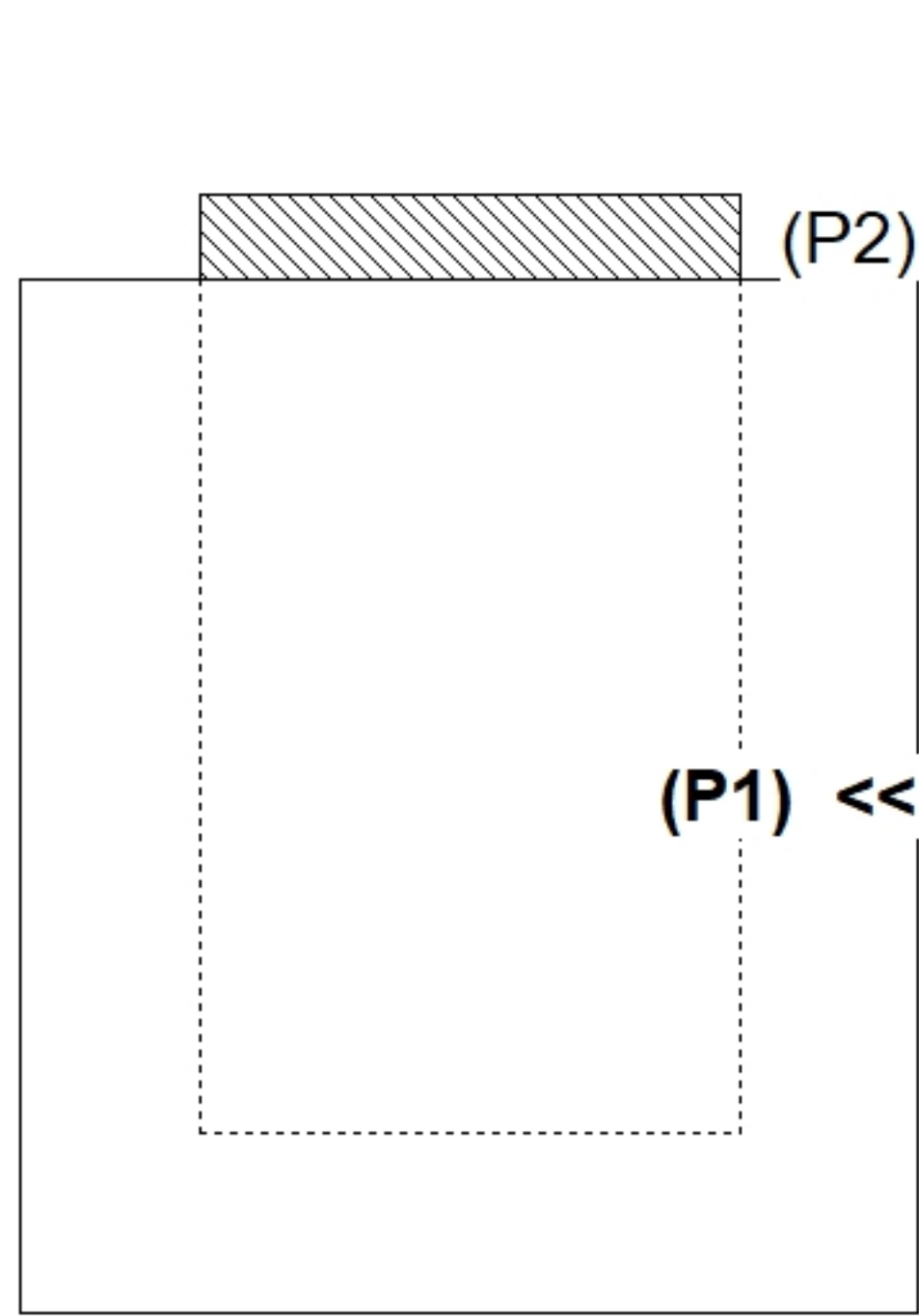
REINFORCING PER ASTM A615 (GRADE 60).
 - WALLS (As .31) #5 BARS AT 12" C.C.E.W..
 - FLOOR (As .31) #5 BARS AT 12" C.C.E.W.

Rim: 420.3' Rim to Invert: 3.5' Slack: 0.25" Sump: 0" Step Position:

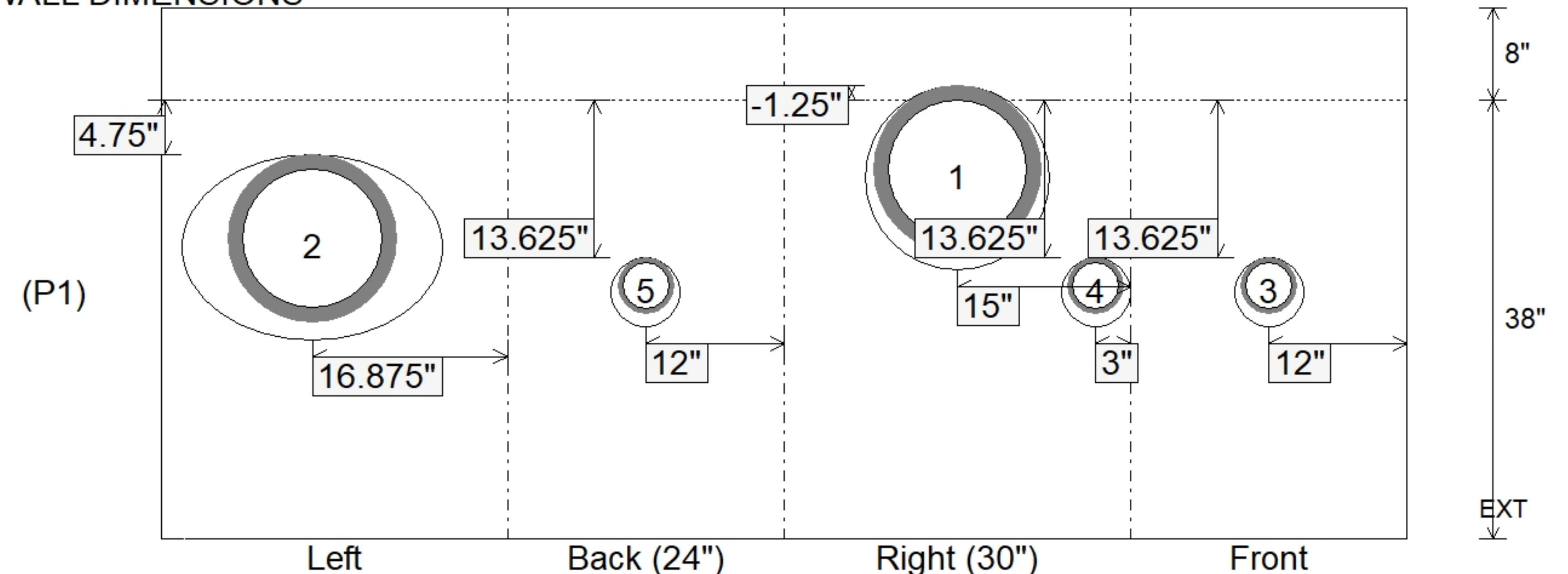
Position	Elev	Angle	Ext. (cw)	Pipe	Pipe OD	Connector	Hole	Horz Size	Up ()	Offset
Invert 1	416.8'	90°	23"	12" HDPE	14.5"	Hole 16	16"	16"	-1.25"	0"
Invert 2	417.3'	225°	16.875"	12" HDPE	14.5"	Hole 16	16"	22.627"	4.75"	9.83"
Invert 3	417.97'	0°	20"	4" HDPE (perf pipe)	4.8"	Hole 6	6"	6"	13.625"	0"
Invert 4	417.97'	90°	11"	4" HDPE (perf pipe)	4.8"	Hole 6	6"	6"	13.625"	-12"
Invert 5	417.97'	180°	20"	4" HDPE (perf pipe)	4.8"	Hole 6	6"	6"	13.625"	0"
Invert 6										
Invert 7										
Invert 8										

RIGHT-SIDE UP VIEW (int. dimensions)

UPSIDE-DOWN VIEW (int. dimensions)



INSIDE WALL DIMENSIONS



Coating (Int):
 Coating (Ext):

Seam Up: Flat
 Seam Dn: n/a

Wall Thickness: 8"
 Floor Height: 8"

Height (Int): 38"
 Height (Ext): 46"

Weight (Net): 4466 lb
 Volume (Net): 1.14cu.yd