

Job Name: 25-0230 - Casey's General Store 4606
 Job Location: Morgantown, KY
 Contractor: American Contracting LLC

Plant: 100

1/7/2026 8:32:52 AM

Tech: J. Horsley

PC: A. Chambers



Structure ID: CB 2

P1 BX2430-08BA42

BOX BASE 8inW, 8inF F/n

- P2) 24" x 30" - CASTING HEIGHT - 3.75"
- P1) 24" x 30" - BOX BASE 8inW, 8inF F/n - 42"
- 1) CASTING - HOE KY-460-11 F/G (DBI 11)
- 2) 24" x 30" - Conseal CS-102 1.00"
- 3) Hole - 16
- 4) Hole - 6

0 lb
 4842 lb
 421 lb
 0 lb
 0 lb
 0 lb
 Structure Total: 5263 lb

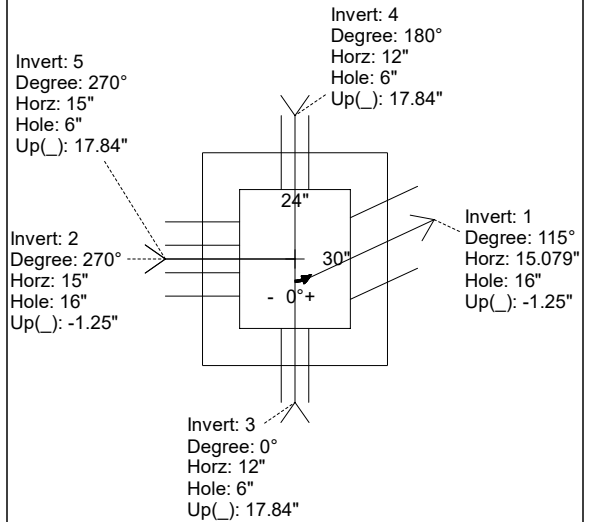
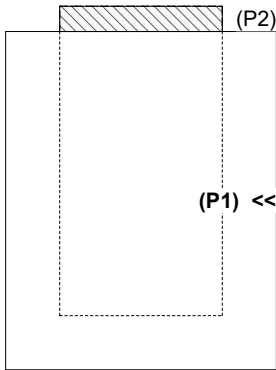
- Structure Notes:**
1. PER KYTC DBI TYPE 11 / ASTM C-913 SPECIFICATIONS
 2. CONCRETE: 4,000 PSI AT 28 DAYS
 3. REINFORCEMENT: #5 BAR @ 12" C.C. E.W. (GRADE 60) - 2" MIN. REBAR CLEARANCE (TYP)
 4. NO STORM INVERT
 5. NO STEPS
 6. DBI TYPE 11 FRAME & GRATE BY ICAST

Rim: 420.32' Rim to Invert: 3.85' Slack: 0.45" Sump: 0" Step Position:

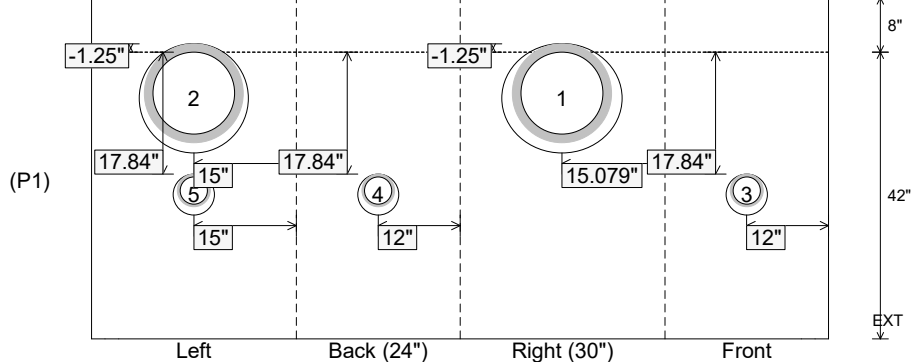
Position	Elev	Angle	Ext. (cw)	Pipe	Pipe OD	Connector	Hole	Horz Size	Up (L)	Offset
Invert 1	416.47'	115°	26.809"	12" HDPE	14.5"	Hole 16	16"	17.654"	-1.25"	-5"
Invert 2	416.47'	270°	23"	12" HDPE	14.5"	Hole 16	16"	16"	-1.25"	0"
Invert 3	417.99'	0°	20"	4" HDPE (perf pipe)	4.8"	Hole 6	6"	6"	17.84"	0"
Invert 4	417.99'	180°	20"	4" HDPE (perf pipe)	4.8"	Hole 6	6"	6"	17.84"	0"
Invert 5	417.99'	270°	23"	4" HDPE (perf pipe)	4.8"	Hole 6	6"	6"	17.84"	0"
Invert 6										
Invert 7										
Invert 8										

RIGHT-SIDE UP VIEW (int. dimensions)

UPSIDE-DOWN VIEW (int. dimensions)



INSIDE WALL DIMENSIONS



Coating (Int):
 Coating (Ext):

Seam Up: Flat
 Seam Dn: n/a

Wall Thickness: 8"
 Floor Height: 8"

Height (Int): 42"
 Height (Ext): 50"

Weight (Net): 4842 lb
 Volume (Net): 1.24cu.yd