

**Job Name: 25-0230 - Casey's General Store 4606**  
**Job Location: Morgantown, KY**  
**Contractor: American Contracting LLC**

PC: A. Chambers  
 TECH: J. Horsley  
 Plant: 100



Structure ID: **CB 1**  
 Spec: KYTC  
 Type: DBI TYPE 11 private  
 Size: 48"

Rim: 422.4'  
 Invert: 416.07'  
 Rim to Invert: 6.33'

Sump: 0"  
 Floor (Top): 416.07'  
 Floor Height: 6"

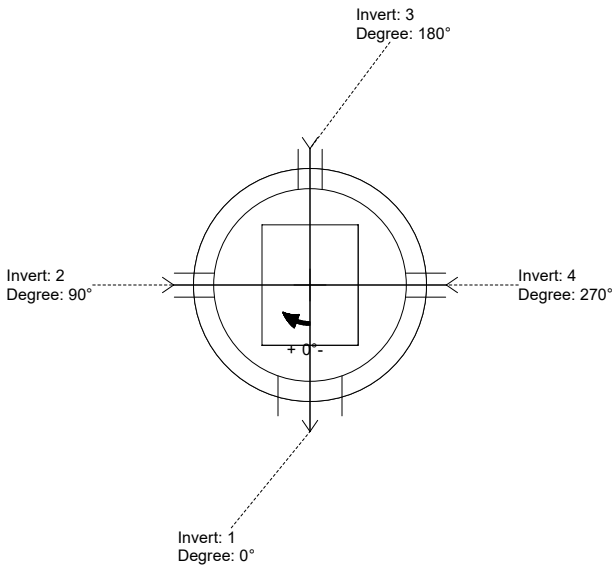
Floor (Bot): 415.57'  
 Overall Height: 6.813'  
 Slack: 0.21"

- Structure Notes:**
- PER KYTC DBI TYPE 11 / ASTM C-478 SPECIFICATIONS
  - CONCRETE: 4,000 PSI AT 28 DAYS
  - REINFORCEMENT:
    - FLAT LID: #4 BAR @ 10" C.C. E.W. (GRADE 60)
    - BASE: PER ASTM A615
  - NO STORM INVERT
  - NO STEPS
  - DBI TYPE 11 FRAME & GRATE BY ICAST

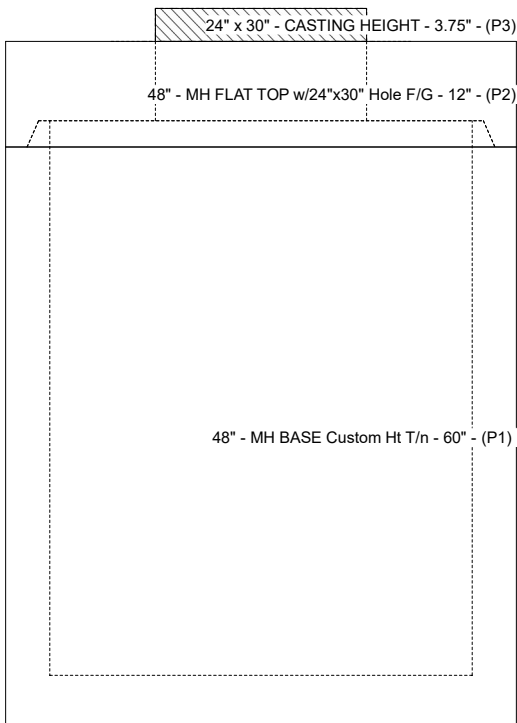
**STRUCTURE SUMMARY:**

P3) 24" x 30" - CASTING HEIGHT - 3.75" 0 lb  
 P2) 48" - MH FLAT TOP w/24"x30" Hole F/G - 12" 1935 lb  
 P1) 48" - MH BASE Custom Ht T/n - 60" 5440 lb  
 1) CASTING - HOE KY-460-11 F/G (DBI 11) 421 lb  
 1) 48" - Conseal CS-102 1.00" 0 lb  
 1) 24" x 30" - Conseal CS-102 1.00" 0 lb  
 1) Hole - 16 0 lb  
 3) Hole - 6 0 lb

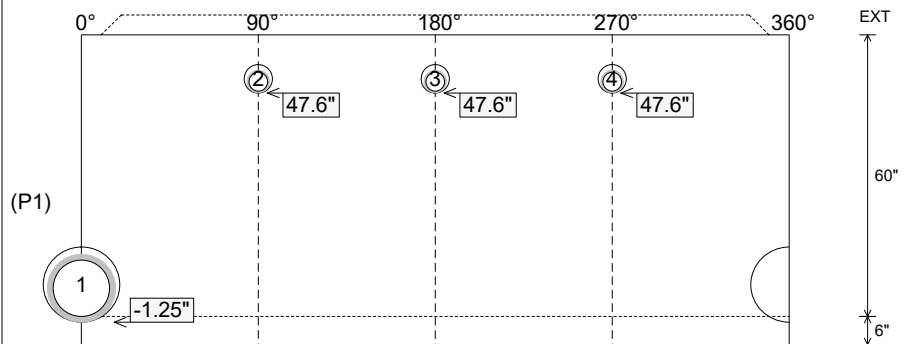
Structure Total: 7796 lb



Position	Elev	Angle	Pipe	Pipe OD	Hole	Connector	Up (L)	Ref
Rim	422.4'							
Reducer								
Invert 1	416.07'	0°	12" HDPE	14.5"	16"	Hole 16	-1.25"	P1
Invert 2	420.07'	90°	4" HDPE (perf pipe)	4.8"	6"	Hole 6	47.6"	P1
Invert 3	420.07'	180°	4" HDPE (perf pipe)	4.8"	6"	Hole 6	47.6"	P1
Invert 4	420.07'	270°	4" HDPE (perf pipe)	4.8"	6"	Hole 6	47.6"	P1
Invert 5								
Invert 6								
Invert 7								
Invert 8								



**Cast (Int. Dim.) - Interior Dimensions**



Submittal Drawing  
 1/7/2026 7:23:41 AM

SUBMITTAL  
 APPROVED BY: