

Job Name: 25-0230 - Casey's General Store 4606
 Job Location: Morgantown, KY
 Contractor: American Contracting LLC

Plant: 100

1/7/2026 8:32:47 AM

Tech: J. Horsley

PC: A. Chambers



Structure ID: CB 1

P1 MH048BA60

MH BASE Custom Ht T/n

- P3) 24" x 30" - CASTING HEIGHT - 3.75"
- P2) 48" - MH FLAT TOP w/24"x30" Hole F/G - 12"
- P1) 48" - MH BASE Custom Ht T/n - 60"
- 1) CASTING - HOE KY-460-11 F/G (DBI 11)
- 1) 48" - Conseal CS-102 1.00"
- 1) 24" x 30" - Conseal CS-102 1.00"
- 1) Hole - 16
- 3) Hole - 6

0 lb
 1935 lb
 5440 lb
 421 lb
 0 lb
 0 lb
 0 lb
 0 lb

 Structure Total: 7796 lb

Structure Notes:

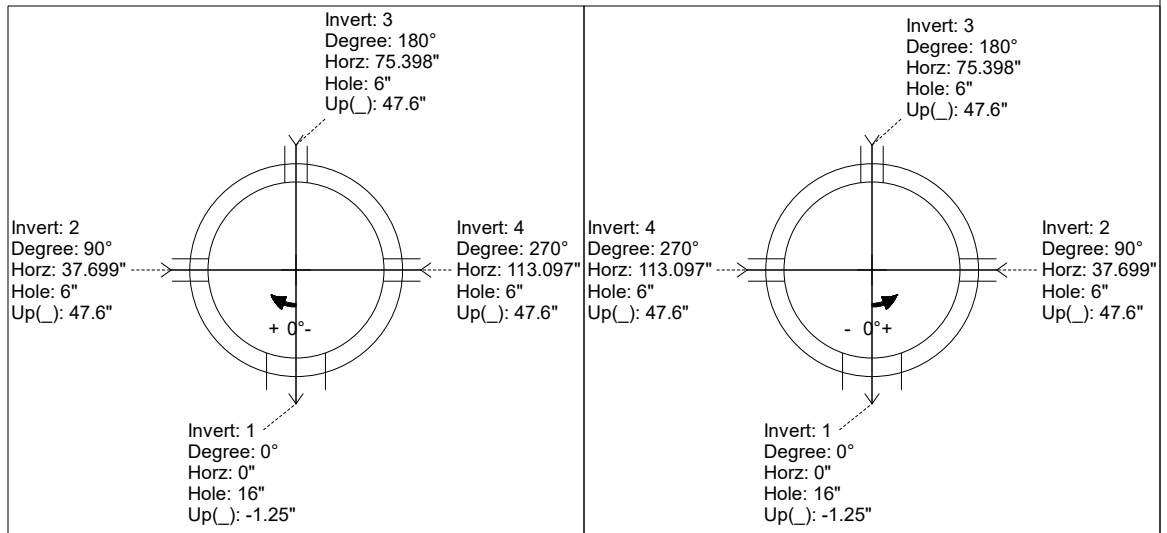
1. PER KYTC DBI TYPE 11 / ASTM C-478 SPECIFICATIONS
2. CONCRETE: 4,000 PSI AT 28 DAYS
3. REINFORCEMENT: PER ASTM A615
4. NO STORM INVERT
5. NO STEPS
6. DBI TYPE 11 FRAME & GRATE BY ICAST

Rim: 422.4' Rim to Invert: 6.33' Slack: 0.21' Sump: 0' Step Position:

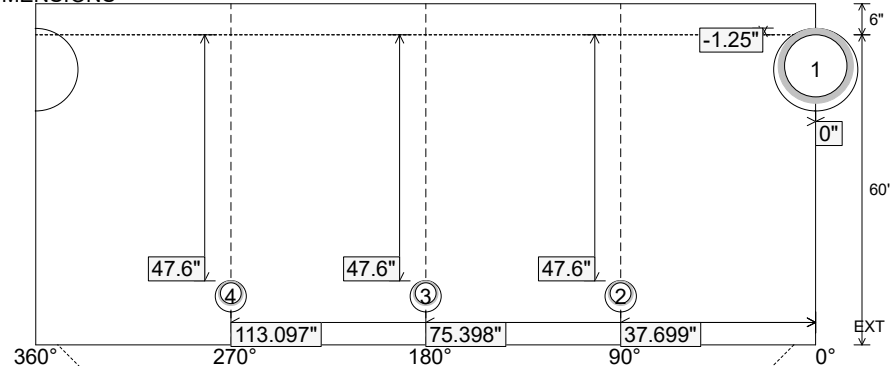
Position	Elev	Angle	Ext. (cw)	Pipe	Pipe OD	Connector	Hole	Horz Size	Up ()	Offset
Invert 1	416.07'	0°	0"	12" HDPE	14.5"	Hole 16	16"	16.312"	-1.25"	0"
Invert 2	420.07'	90°	45.553"	4" HDPE (perf pipe)	4.8"	Hole 6	6"	6.016"	47.6"	0"
Invert 3	420.07'	180°	91.106"	4" HDPE (perf pipe)	4.8"	Hole 6	6"	6.016"	47.6"	0"
Invert 4	420.07'	270°	136.659"	4" HDPE (perf pipe)	4.8"	Hole 6	6"	6.016"	47.6"	0"
Invert 5										
Invert 6										
Invert 7										
Invert 8										

RIGHT-SIDE UP VIEW (int. dimensions)

UPSIDE-DOWN VIEW (int. dimensions)



INSIDE WALL DIMENSIONS



Coating (Int):
 Coating (Ext):

Seam Up: Tongue
 Seam Dn: n/a

Wall Thickness: 5"
 Floor Height: 6"

Height (Int): 60"
 Height (Ext): 66"

Weight (Net): 5440 lb
 Volume (Net): 1.39cu.yd