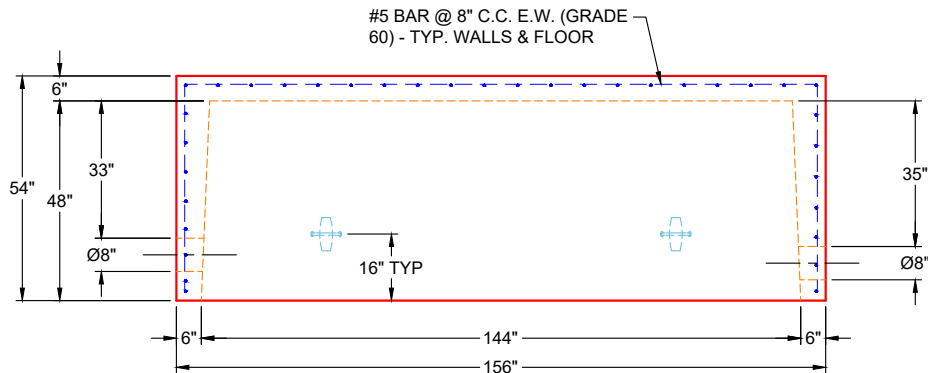
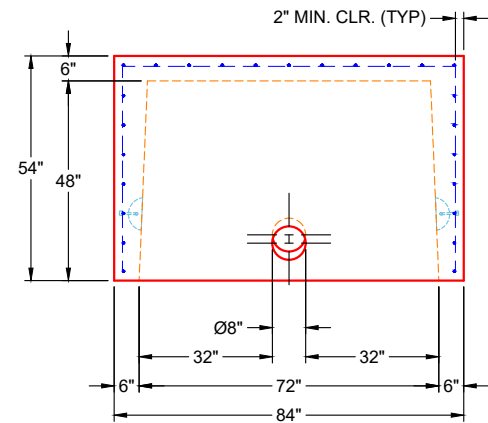


**PLAN VIEW
(UPSIDE DOWN)**



**VIEW A
(UPSIDE DOWN)**



**VIEW B
(UPSIDE DOWN)**

GENERAL NOTES:

1. MANUFACTURED PER ASTM C-890-13 (LATEST REVISION)
2. CONCRETE: 5,000 PSI AT 28 DAYS
3. REINFORCEMENT: #5 BAR @ 8" C.C. E.W. (GRADE 60) - 2" MIN. REBAR CLEARANCE (TYP)
4. TOTAL WEIGHT (BASE & BAFFLE WALL) 20,450 LBS
- FIRST POUR (BASE): 19,407 LBS
- SECOND POUR (BAFFLE WALL): 1,043 LBS
5. POUR BASE & THEN POUR INTERIOR BAFFLE WALL (SEE PAGE 2 OF 2 FOR DETAILS)
6. (2) PSX 8QRS-S NYLO DRIVE BOOTS SUPPLIED BY ICAST

PRODUCTION WORK ORDER

PRODUCT I.D.: BX72144-06W06F-VF

DESCRIPTION: 72" X 144" X 48" 1,500 GAL GREASE TRAP BASE



QUALITY CONTROL CHECKLIST

- ALL DIMENSIONS CORRECT.
- LIFTERS INSTALLED.
- HOLE LOCATION(S) CORRECT.
- REINFORCING & SPACING CORRECT.
- BAFFLE POURED CORRECTLY.
- BOOTS & BANDS INSTALLED.
- JOINT INSTALLED.

PRODUCT VIEW: UPSIDE DOWN

CUSTOMER: AMERICAN CONTRACTING, LLC

PLANT: BEAVER DAM, KY

PROJECT: CASEY'S GENERAL STORE 4606

WEIGHT: 19,407 LBS (20,450 LBS BASE W/ BAFFLE)

STRUCTURE: 13-50230

TOP SECTION JOINT: N / A

ORDER NO: 25-0230

BASE SECTION JOINT: FLAT

PE: J.H. ROSS

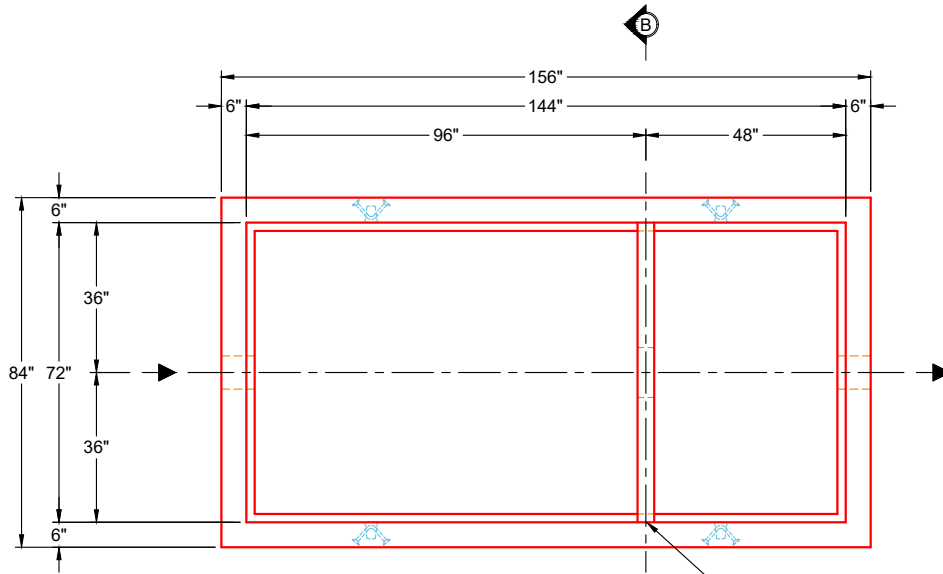
DRAWING: K. CARDWELL

QC CHECK INITIALS:

DATE: 12/22/25

SCALE: NTS

PG. 1 OF 2



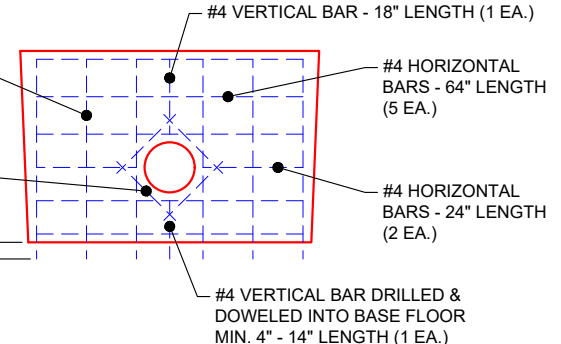
**PLAN VIEW
(RIGHT SIDE UP)**

USE CS-231 WATERSTOP BETWEEN BAFFLE WALL & TANK WALLS (BOTH SIDES)

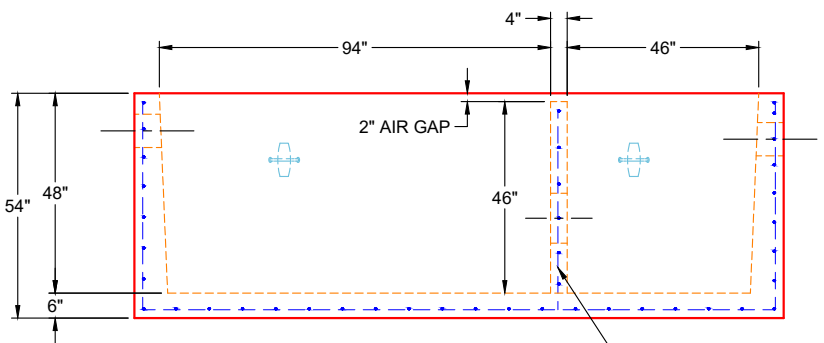
#4 VERTICAL BARS DRILLED & DOWELED INTO BASE FLOOR MIN. 4" - 48" LENGTH (6 EA.)

#4 DIAGONAL BARS AROUND Ø12" OPENING - 20" LENGTH (4 EA.)

4" MIN. PENETRATION INTO BASE FLOOR

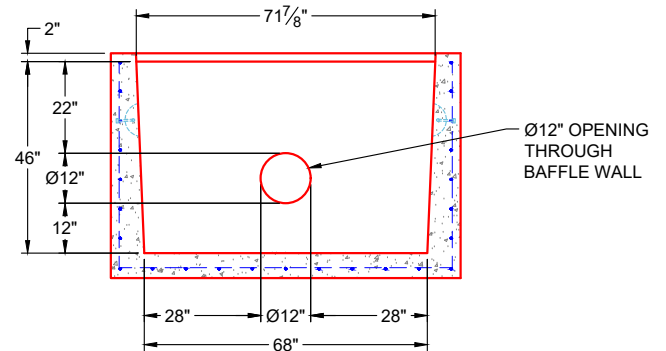


**BAFFLE WALL REINFORCEMENT
#4 BAR @ 12" C.C. E.W. (GRADE 60)**



**VIEW A
(RIGHT SIDE UP)**

DRILL & DOWEL #4 BAR @ 12" C.C. E.W (GRADE 60) - SEE BAFFLE WALL REINFORCEMENT DETAIL



**SECTION B-B
(RIGHT SIDE UP)**

GENERAL NOTES:

1. MANUFACTURED PER ASTM C-890-13 (LATEST REVISION)
2. CONCRETE: 5,000 PSI AT 28 DAYS
3. REINFORCEMENT: #4 BAR @ 12" C.C. E.W. (GRADE 60) - SEE BAFFLE WALL REINFORCEMENT DETAIL
4. TOTAL WEIGHT (BASE & BAFFLE WALL) 20,450 LBS
- FIRST POUR (BASE): 19,407 LBS
- SECOND POUR (BAFFLE WALL): 1,043 LBS
5. THIS DRAWING IS TO BE USED FOR POURING THE BAFFLE WALL

PRODUCTION WORK ORDER

PRODUCT I.D.: BX72144-BAFF-4

DESCRIPTION: 72" X 144" X 48" 1,500 GAL GREASE TRAP BASE - ADD BAFFLE



| QUALITY CONTROL CHECKLIST | |
|---------------------------|--------------------------------|
| <input type="checkbox"/> | ALL DIMENSIONS CORRECT. |
| <input type="checkbox"/> | LIFTERS INSTALLED. |
| <input type="checkbox"/> | HOLE LOCATION(S) CORRECT. |
| <input type="checkbox"/> | REINFORCING & SPACING CORRECT. |
| <input type="checkbox"/> | BAFFLE POURED CORRECTLY. |
| <input type="checkbox"/> | BOOTS & BANDS INSTALLED. |
| <input type="checkbox"/> | JOINT INSTALLED. |

| |
|---|
| PRODUCT VIEW: RIGHT SIDE UP |
| PLANT: BEAVER DAM, KY |
| WEIGHT: 1,043 LBS (20,450 LBS BASE W/ BAFFLE) |
| TOP SECTION JOINT: N / A |
| BASE SECTION JOINT: FLAT |
| QC CHECK INITIALS: |

| | | |
|-------------------------------------|----------------------|------------|
| CUSTOMER: AMERICAN CONTRACTING, LLC | | |
| PROJECT: CASEY'S GENERAL STORE 4606 | | |
| STRUCTURE: 13-50230 | | |
| ORDER NO: 25-0230 | | |
| PE: J.H. ROSS | DRAWING: K. CARDWELL | |
| DATE: 12/22/25 | SCALE: NTS | PG. 2 OF 2 |