

**Job Name: 25-0226 MS 161kv SWITCHING STATION**  
**Job Location: Columbus, MS**  
**Contractor: TVA**

PC: A. Chambers  
 TECH: J. Horsley - F  
 Plant: 100

Structure ID: **CB 3**  
 Spec: Storm  
 Type: STM.MH  
 Size: 48"

Rim: 351'  
 Invert: 346.5'  
 Rim to Invert: 4.5'

Sump: 1.9"  
 Floor (Top): 346.342'  
 Floor Height: 6"

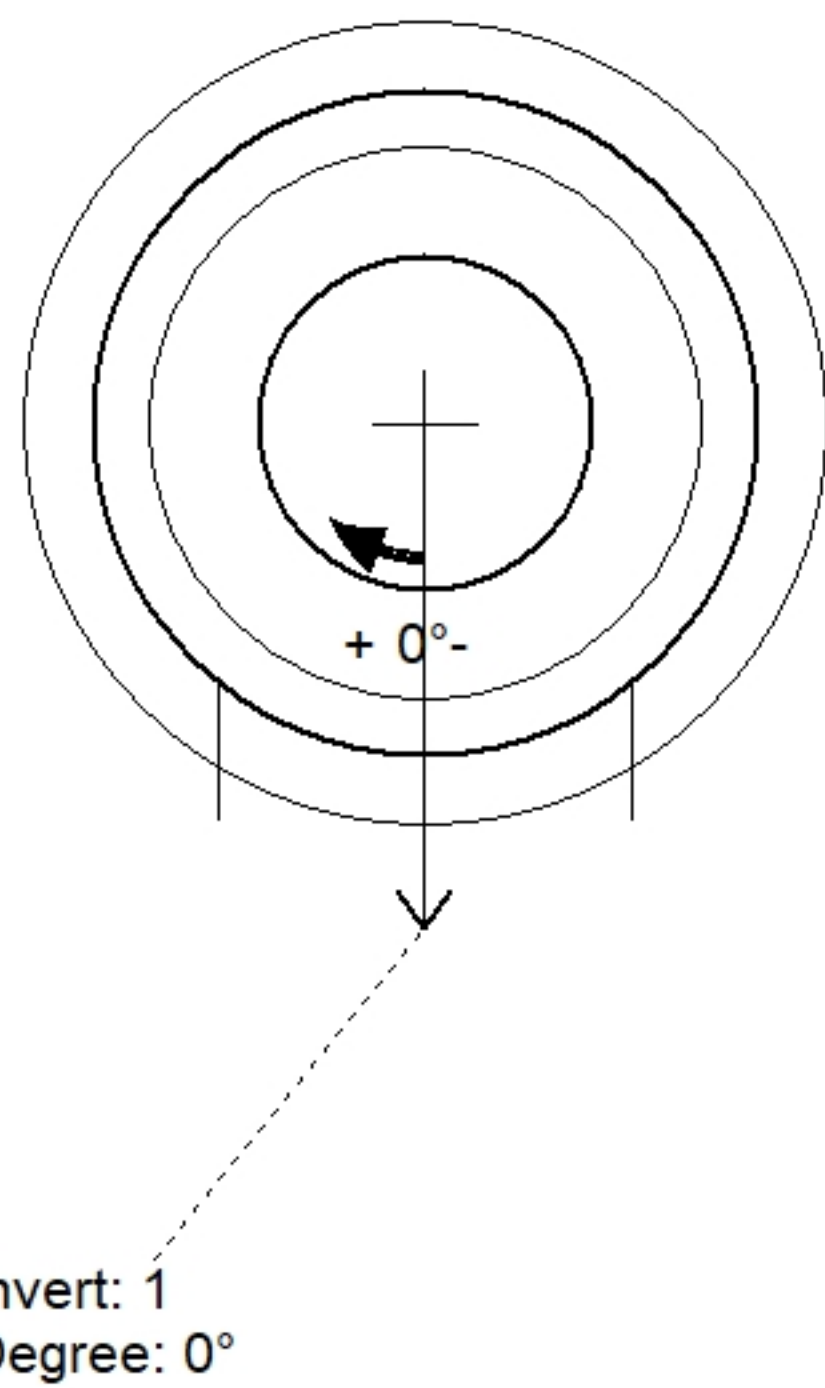
Floor (Bot): 345.842'  
 Overall Height: 5.083'  
 Slack: 0.9"

**Structure Notes:**  
 1. PER ASTM C478 SPECIFICATIONS.  
 2. CONCRETE = 4,000 PSI AT 28 DAYS.  
 3. NO STEPS AND NO INVERT CHANNEL.  
 4. CASTING BY I-CAST (EJ 6488 BEEHIVE GRATE)

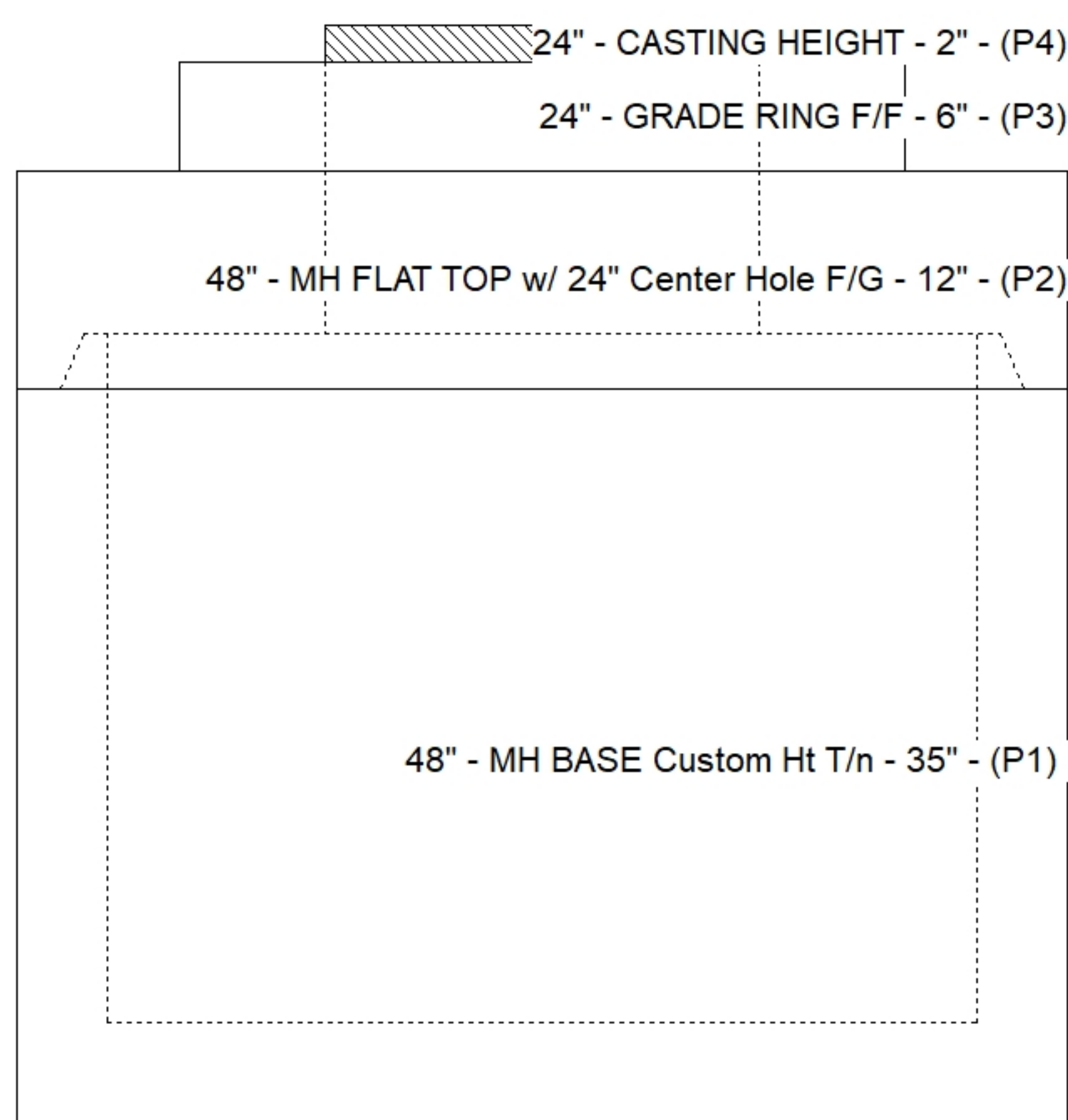
REINFORCING PER ASTM A615 (GRADE 60).  
 - TOP SLAB H20 LOADING.  
 - RISER/WALLS (As .12)  
 - FLOOR (As .31) #5 BARS AT 12" C.C.E.W.

**STRUCTURE SUMMARY:**

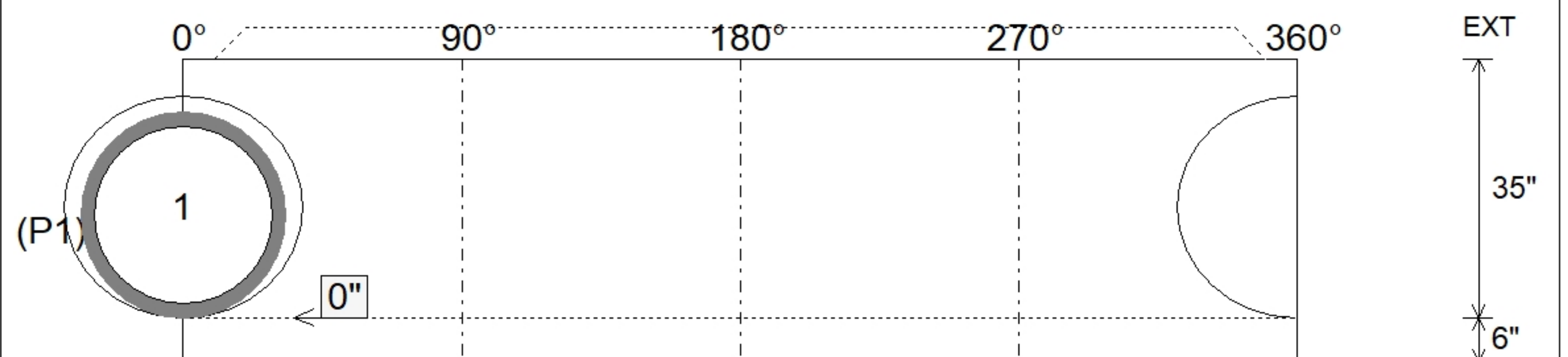
P4) 24" - CASTING HEIGHT - 2"	0 lb
P3) 24" - GRADE RING F/F - 6"	405 lb
P2) 48" - MH FLAT TOP w/ 24" Center Hole F/G - 12"	1700 lb
P1) 48" - MH BASE Custom Ht T/n - 35"	3459 lb
1) CASTING - EJ 6488 Beehive Grate	250 lb
1) 48" - Conseal CS-102 1.00"	0 lb
1) Hole - 30	0 lb
<b>Structure Total:</b>	<b>5814 lb</b>



Position	Elev	Angle	Pipe	Pipe OD	Hole	Connector	Up ( )	Ref
Rim	351'							
Reducer								
Invert 1	346.5'	0°	24" HDPE	27.8"	30"	Hole 30	0"	P1
Invert 2								
Invert 3								
Invert 4								
Invert 5								
Invert 6								
Invert 7								
Invert 8								



**Cast (Int. Dim.) - Interior Dimensions**



Submittal Drawing  
 11/3/2025 5:02:13 PM

SUBMITTAL  
 APPROVED BY: