

Job Name: 25-0226 MS 161kv SWITCHING STATION

Job Location: Columbus, MS

Contractor: TVA

PC: A. Chambers

TECH: J. Horsley - F

Plant: 100

Structure ID: **CB 1**

Spec: Storm

Type: STM.MH

Size: 48"

Rim: 351.15'

Invert: 346.5'

Rim to Invert: 4.65'

Sump: 1.9"

Floor (Top): 346.342'

Floor Height: 6"

Floor (Bot): 345.842'

Overall Height: 5.25'

Slack: 0.7"

Structure Notes:

1. PER ASTM C478 SPECIFICATIONS.
2. CONCRETE = 4,000 PSI AT 28 DAYS.
3. NO STEPS AND NO INVERT CHANNEL.
4. CASTING BY I-CAST (EJ 6488 BEEHIVE GRATE).

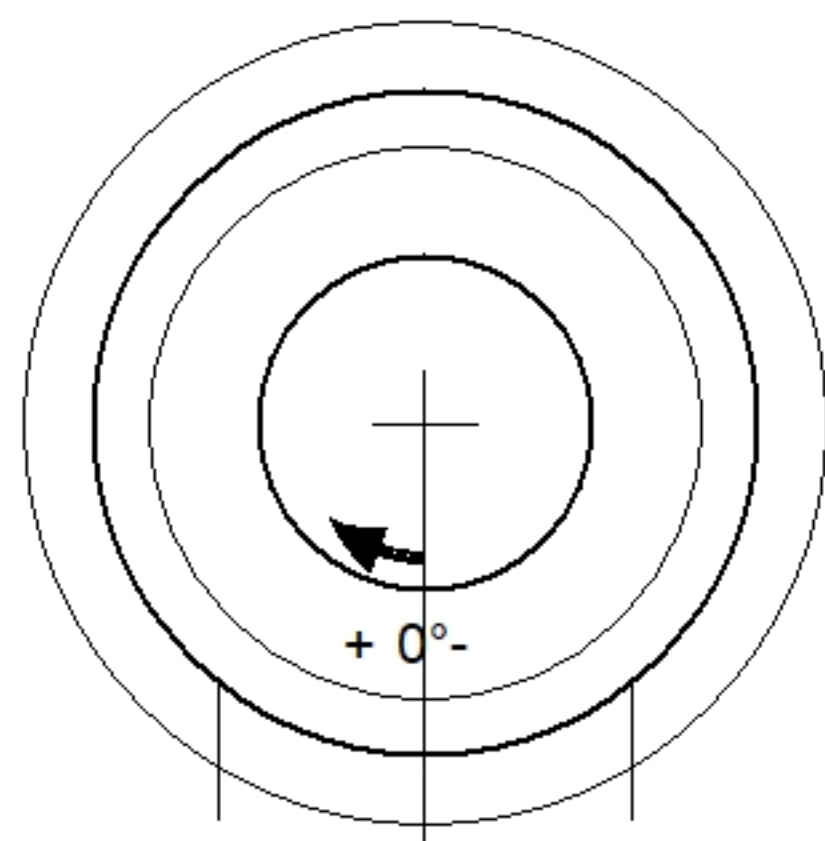
REINFORCING PER ASTM A615 (GRADE 60).

- TOP SLAB H20 LOADING.
- RISER/WALLS (As .12)
- FLOOR (As .31) #5 BARS AT 12" C.C.E.W.

STRUCTURE SUMMARY:

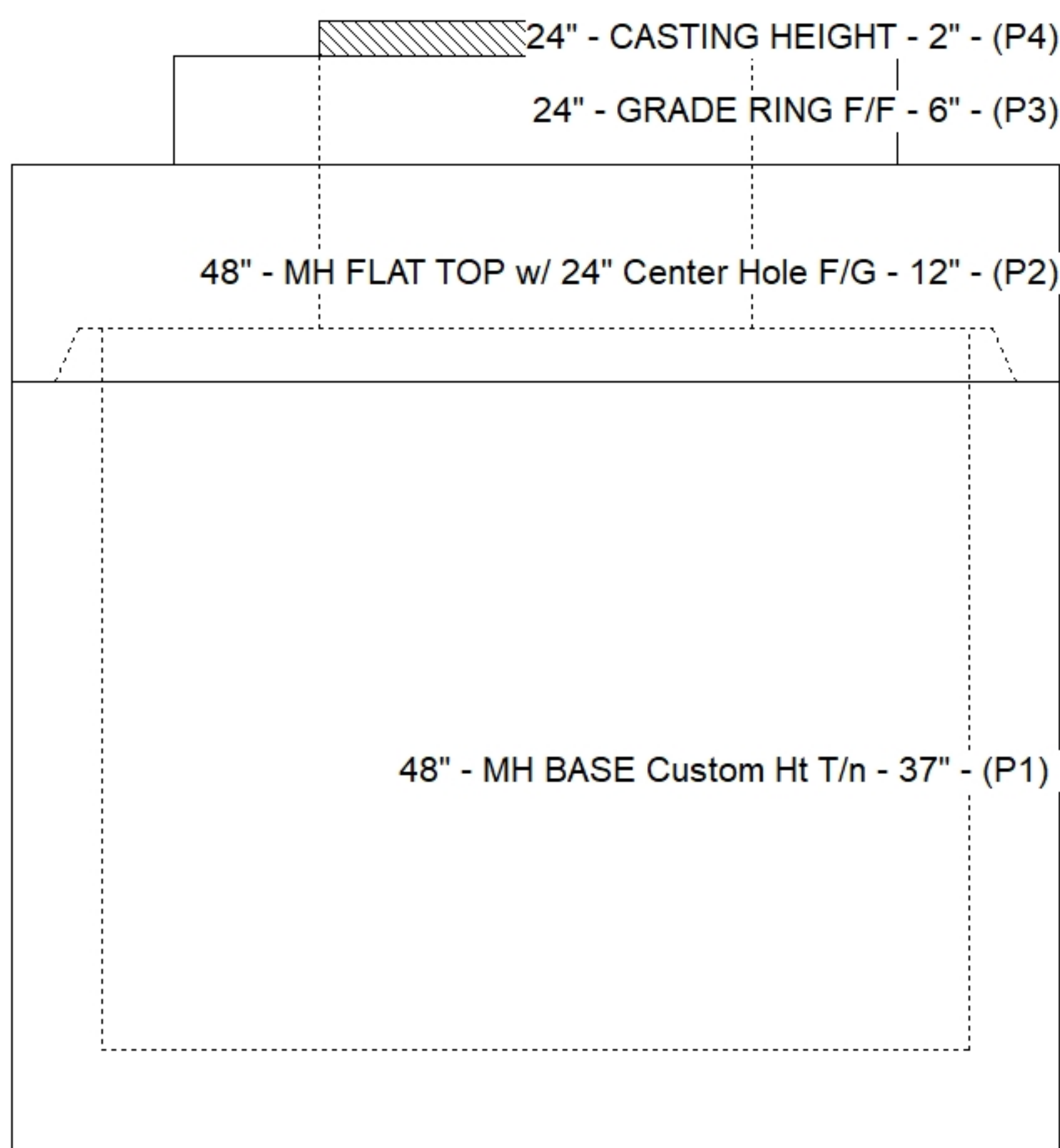
P4) 24" - CASTING HEIGHT - 2"	0 lb
P3) 24" - GRADE RING F/F - 6"	405 lb
P2) 48" - MH FLAT TOP w/ 24" Center Hole F/G - 12"	1700 lb
P1) 48" - MH BASE Custom Ht T/n - 37"	3599 lb
1) CASTING - EJ 6488 Beehive Grate	250 lb
1) 48" - Conseal CS-102 1.00"	0 lb
1) Hole - 30	0 lb

Structure Total:	5954 lb

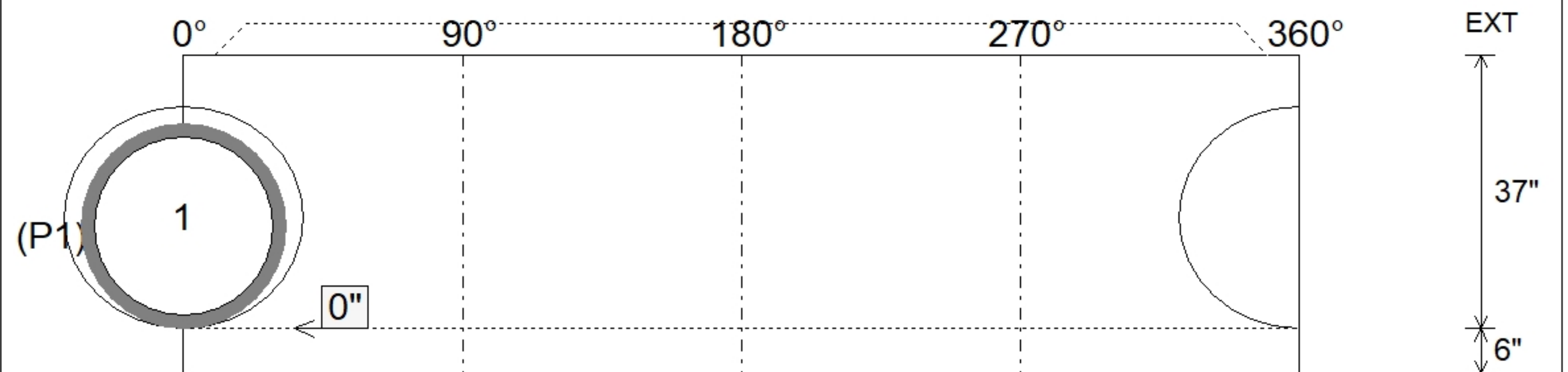


Invert: 1
Degree: 0°

Position	Elev	Angle	Pipe	Pipe OD	Hole	Connector	Up ()	Ref
Rim	351.15'							
Reducer								
Invert 1	346.5'	0°	24" HDPE	27.8"	30"	Hole 30	0"	P1
Invert 2								
Invert 3								
Invert 4								
Invert 5								
Invert 6								
Invert 7								
Invert 8								



Cast (Int. Dim.) - Interior Dimensions



Submittal Drawing
11/3/2025 5:02:11 PM

SUBMITTAL
APPROVED BY: