

Job Name: 25-0210 Salsa Square Development
Job Location: Bowling Green, KY
Contractor: Scott & Ritter, Inc.

PC: Celina Goff
 TECH: J. Horsley - A
 Plant: 100



Structure ID: C2

Spec: Storm
 Type: Outlet Control Structure
 Size: 48"

Rim: 523.92'
 Invert: 515.92'
 Rim to Invert: 8'

Sump: 0"
 Floor (Top): 515.92'
 Floor Height: 6"

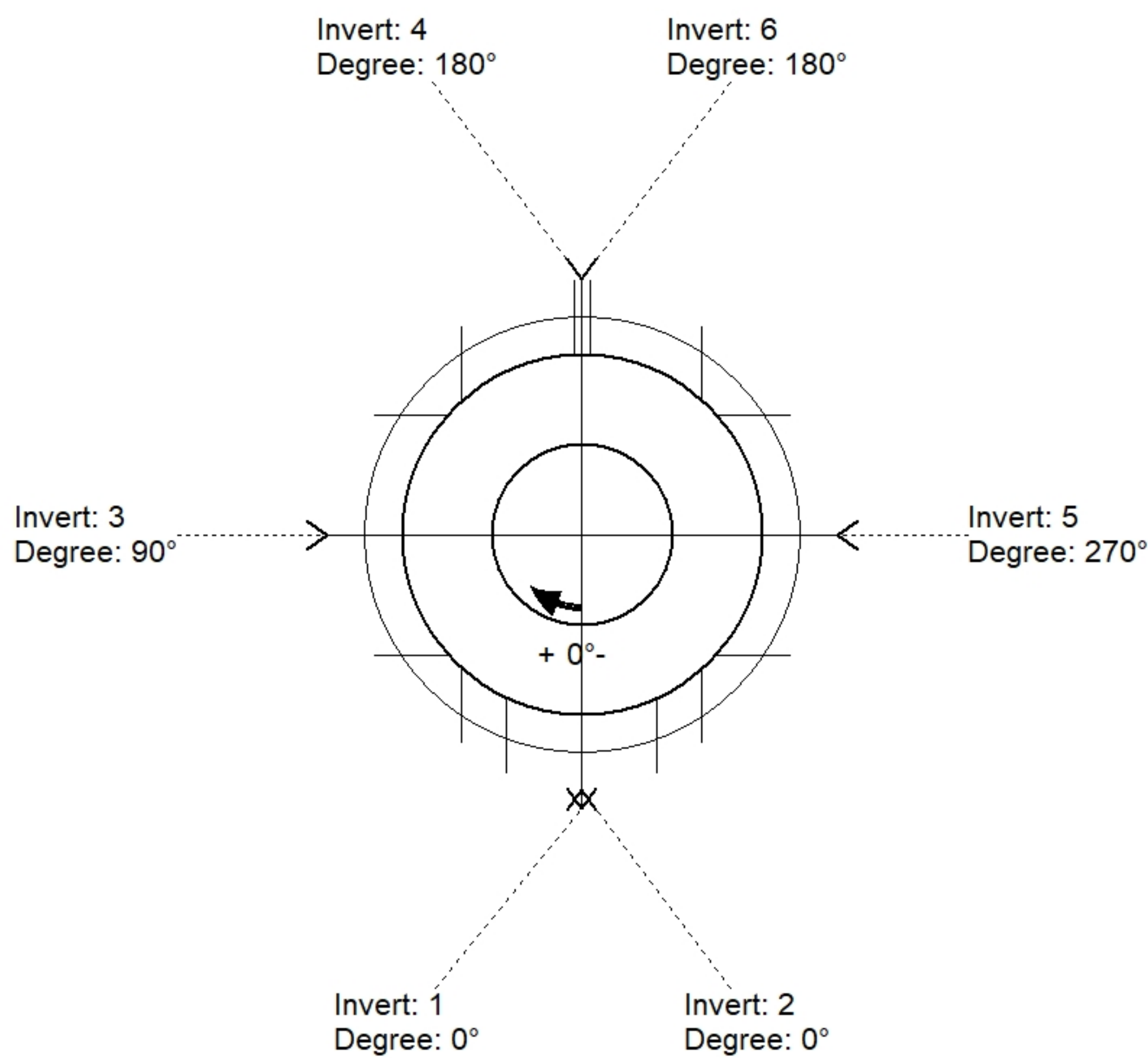
Floor (Bot): 515.42'
 Overall Height: 8.5'
 Slack: 0"

Structure Notes:

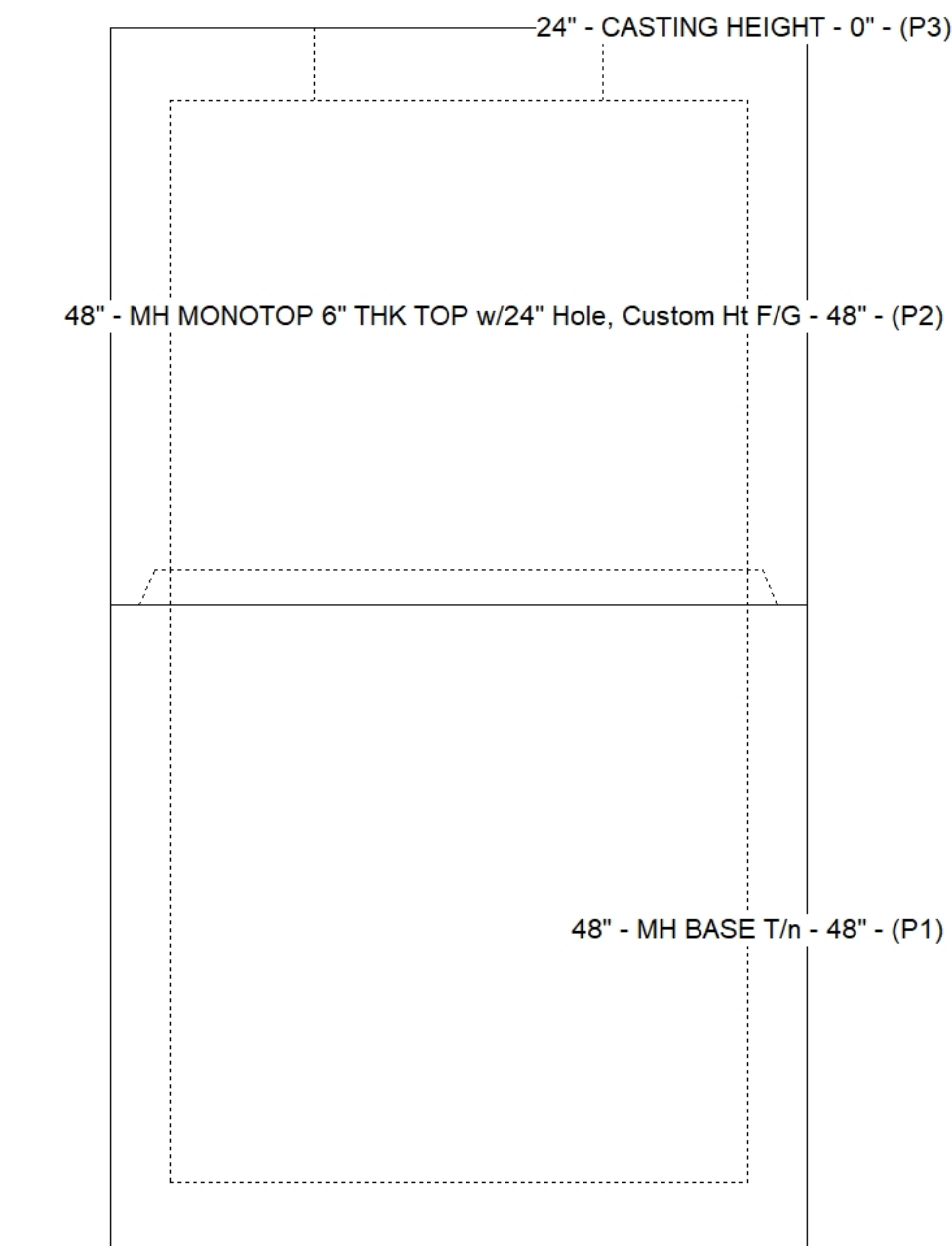
- PLAN LABEL: ST-C2
- HOE MCS-295 PROVIDED BY ICAST (CAST-IN FLUSH).
 - PER ASTM C478 SPECIFICATIONS.
 - CONCRETE = 4,500 PSI AT 28 DAYS.
 - REINFORCING PER ASTM A615 (GRADE 60).
 - TOP SLAB (As .62) #5 BARS AT 6" C.C.E.W..
 - RISER/WALLS (As .12)
 - FLOOR (As .31) #5 BARS AT 12" C.C.E.W.

STRUCTURE SUMMARY:

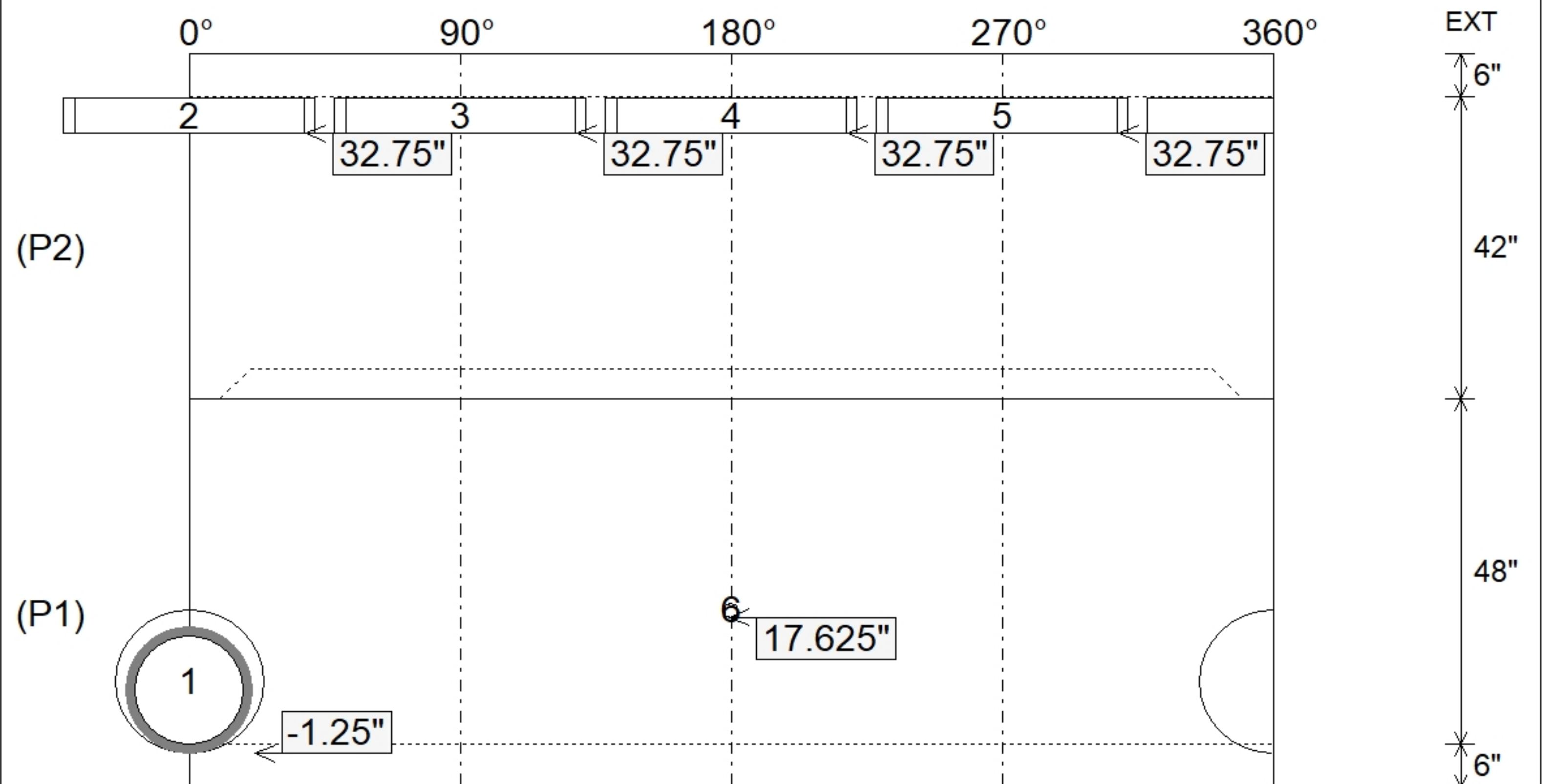
P3) 24" - CASTING HEIGHT - 0"	0 lb
P2) 48" - MH MONOTOP 6" THK TOP w/24" Hole, Custom Ht F/G - 48"	3747 lb
P1) 48" - MH BASE T/n - 48"	4547 lb
1) CASTING - HOE MCS-295 Cover Storm	125 lb
1) 48" - Conseal CS-102 1.00"	0 lb
1) Hole - 20	0 lb
4) Horiz Slot n/n - 32"X5"	0 lb
1) Hole - 2	0 lb
Structure Total:	8419 lb



Position	Elev	Angle	Pipe	Pipe OD	Hole	Connector	Up ()	Ref
Rim	523.92'							
Reducer								
Invert 1	515.92'	0°	15" HDPE	17.6"	20"	Hole 20	-1.25"	P1
Invert 2	523'	0°	32" x 5" Horiz Slot	32" x 5"	32" x 5"	Horiz Slot 32"X5"	32.75"	P2
Invert 3	523'	90°	32" x 5" Horiz Slot	32" x 5"	32" x 5"	Horiz Slot 32"X5"	32.75"	P2
Invert 4	523'	180°	32" x 5" Horiz Slot	32" x 5"	32" x 5"	Horiz Slot 32"X5"	32.75"	P2
Invert 5	523'	270°	32" x 5" Horiz Slot	32" x 5"	32" x 5"	Horiz Slot 32"X5"	32.75"	P2
Invert 6	517.39'	180°	2" Orifice	2"	2"	Hole 2	17.625"	P1
Invert 7								
Invert 8								



Cast (Int. Dim.) - Interior Dimensions



Submittal Drawing
 12/1/2025 4:04:36 PM

SUBMITTAL
 APPROVED BY: