

Job Name: 25-0210 Salsa Square Development
 Job Location: Bowling Green, KY
 Contractor: Scott & Ritter, Inc.

Plant: 100

12/1/2025 4:05:17 PM

Tech: J. Horsley - A

PC: Celina Goff



Structure ID: C2

P2 MH048MTVF

MH MONOTOP 6" THK TOP w/24" Hole, Custom Ht

- P3) 24" - CASTING HEIGHT - 0"
- P2) 48" - MH MONOTOP 6" THK TOP w/24" Hole, Custom Ht F/G - 48"
- P1) 48" - MH BASE T/n - 48"
- 1) CASTING - HOE MCS-295 Cover Storm
- 1) 48" - Conseal CS-102 1.00"
- 1) Hole - 20
- 4) Horiz Slot n/n - 32"x5"
- 1) Hole - 2

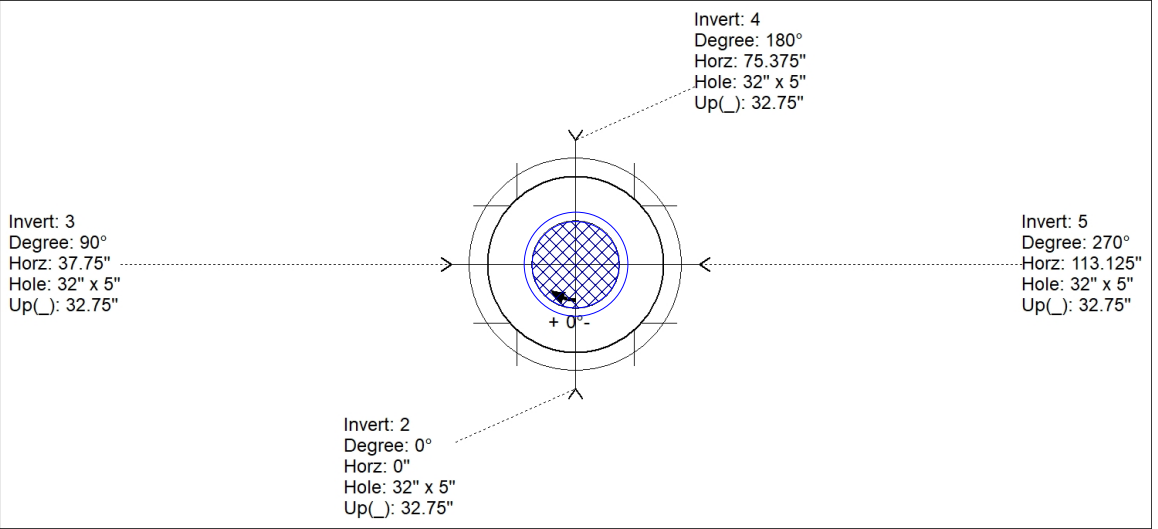
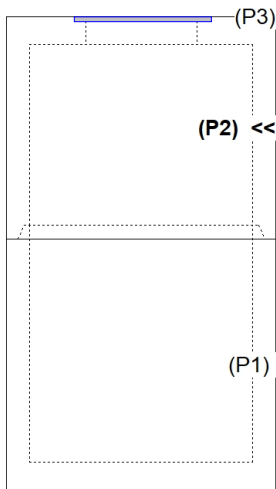
0 lb
 3747 lb
 4547 lb
 125 lb
 0 lb
 0 lb
 0 lb
 0 lb
 0 lb
 0 lb
 Structure Total: 8419 lb

- Structure Notes:**
 PLAN LABEL: ST-C2
1. HOE MCS-295 PROVIDED BY ICAST (CAST-IN FLUSH).
 2. PER ASTM C478 SPECIFICATIONS.
 3. CONCRETE = 4,500 PSI AT 28 DAYS.
 4. REINFORCING PER ASTM A615 (GRADE 60).
 - TOP SLAB (As .62) #5 BARS AT 6" C.C.E.W..
 - RISER/WALLS (As .12)
 - FLOOR (As .31) #5 BARS AT 12" C.C.E.W.

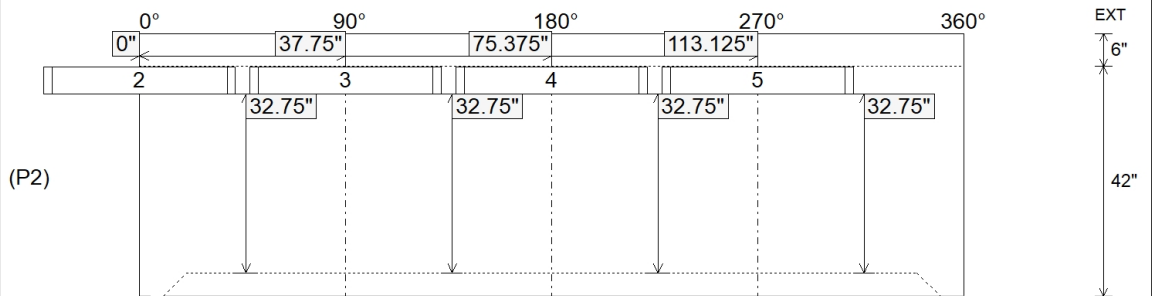
Rim: 523.92' Rim to Invert: 8' Slack: 0" Sump: 0" Step Position:

Position	Elev	Angle	Ext. (cw)	Pipe	Pipe OD	Connector	Hole	Horz Size	Up ()	Offset
Invert 1										
Invert 2	523'	0°	0"	32" x 5" Horiz Slot	32" x 5"	Horiz Slot 32"x5"	32" x 5"	35.027"	32.75"	0"
Invert 3	523'	90°	45.5"	32" x 5" Horiz Slot	32" x 5"	Horiz Slot 32"x5"	32" x 5"	35.027"	32.75"	0"
Invert 4	523'	180°	91.125"	32" x 5" Horiz Slot	32" x 5"	Horiz Slot 32"x5"	32" x 5"	35.027"	32.75"	0"
Invert 5	523'	270°	136.625"	32" x 5" Horiz Slot	32" x 5"	Horiz Slot 32"x5"	32" x 5"	35.027"	32.75"	0"
Invert 6										
Invert 7										
Invert 8										

RIGHT-SIDE UP VIEW (int. dimensions)



INSIDE WALL DIMENSIONS



Coating (Int): Coating (Ext):	Seam Up: Flat Seam Dn: Groove	Wall Thickness: 5" Floor Height: 6"	Height (Int): 42" Height (Ext): 48"	Weight (Net): 3747 lb Volume (Net): 0.96cu.yd
----------------------------------	----------------------------------	--	--	--