

Structure ID: A8

P1 MH048BAVF

MH BASE Custom Ht T/n

P3) 30" x 30" - CASTING HEIGHT - 4" P2) 48" - MH FLAT TOP w/30"x30" Hole F/G - 12" P1) 48" - MH BASE Custom Ht T/n - 53" 1) CASTING - HOE 468 F/G 1) 48" - SGL 1"x14.5' Butyl (2x) 1) Hole - 20 4) MH Step ML-10-TDS-NCR - 10"	0 lb 1350 lb 4897 lb 489 lb 0 lb 0 lb 0 lb ----- 6736 lb	Structure Notes: PLAN LABEL: ST-A8 1. HOE 468 F/G PROVIDED BY ICAST. 2. PER ASTM C478 SPECIFICATIONS. 3. CONCRETE = 4,000 PSI AT 28 DAYS. 4. REINFORCING PER ASTM A615 (GRADE 60). - TOP SLAB (As .62) #5 BARS AT 6" C.C.E.W.. - RISER/WALLS (As .12) - FLOOR (As .31) #5 BARS AT 12" C.C.E.W.
--	--	---

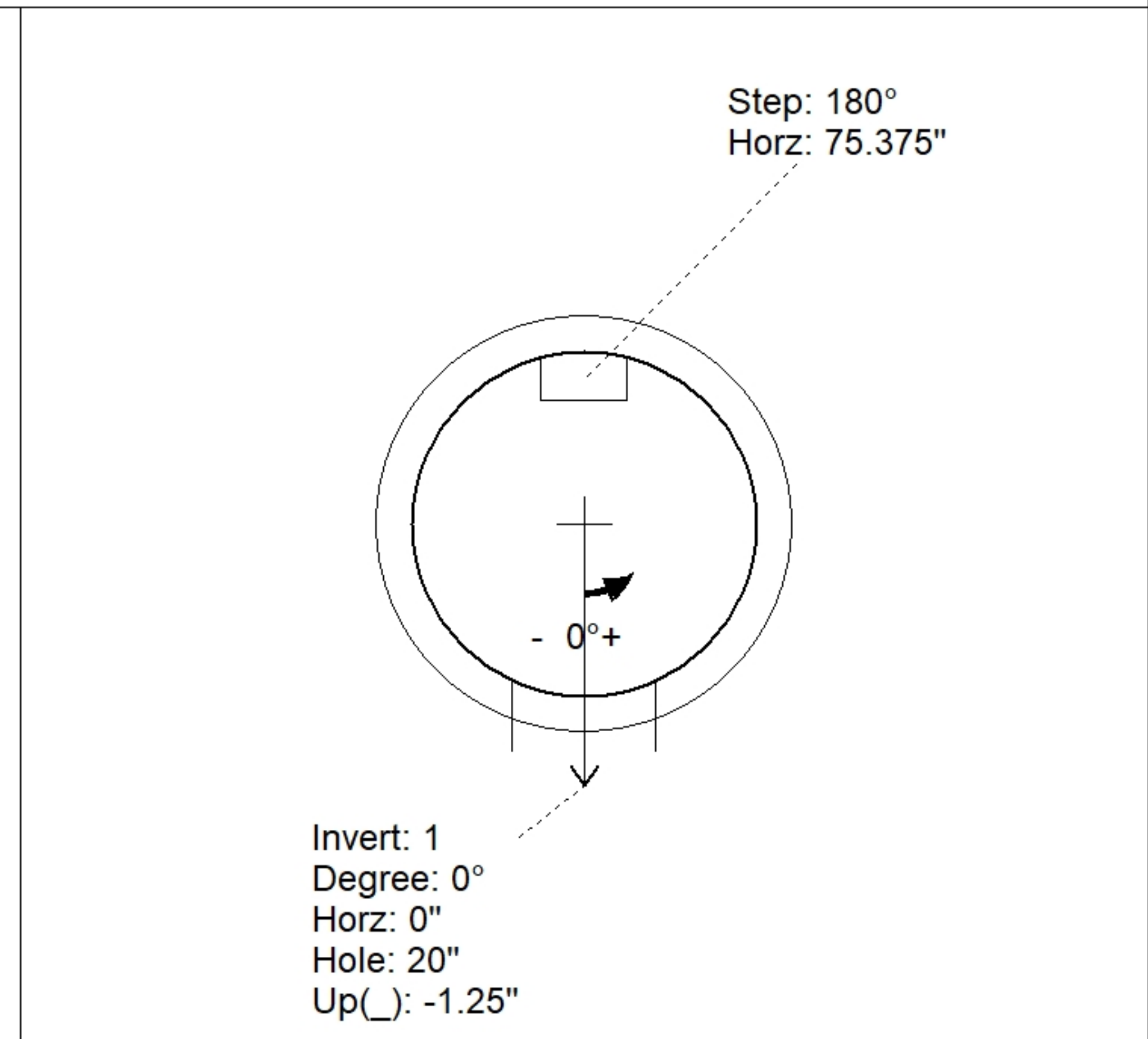
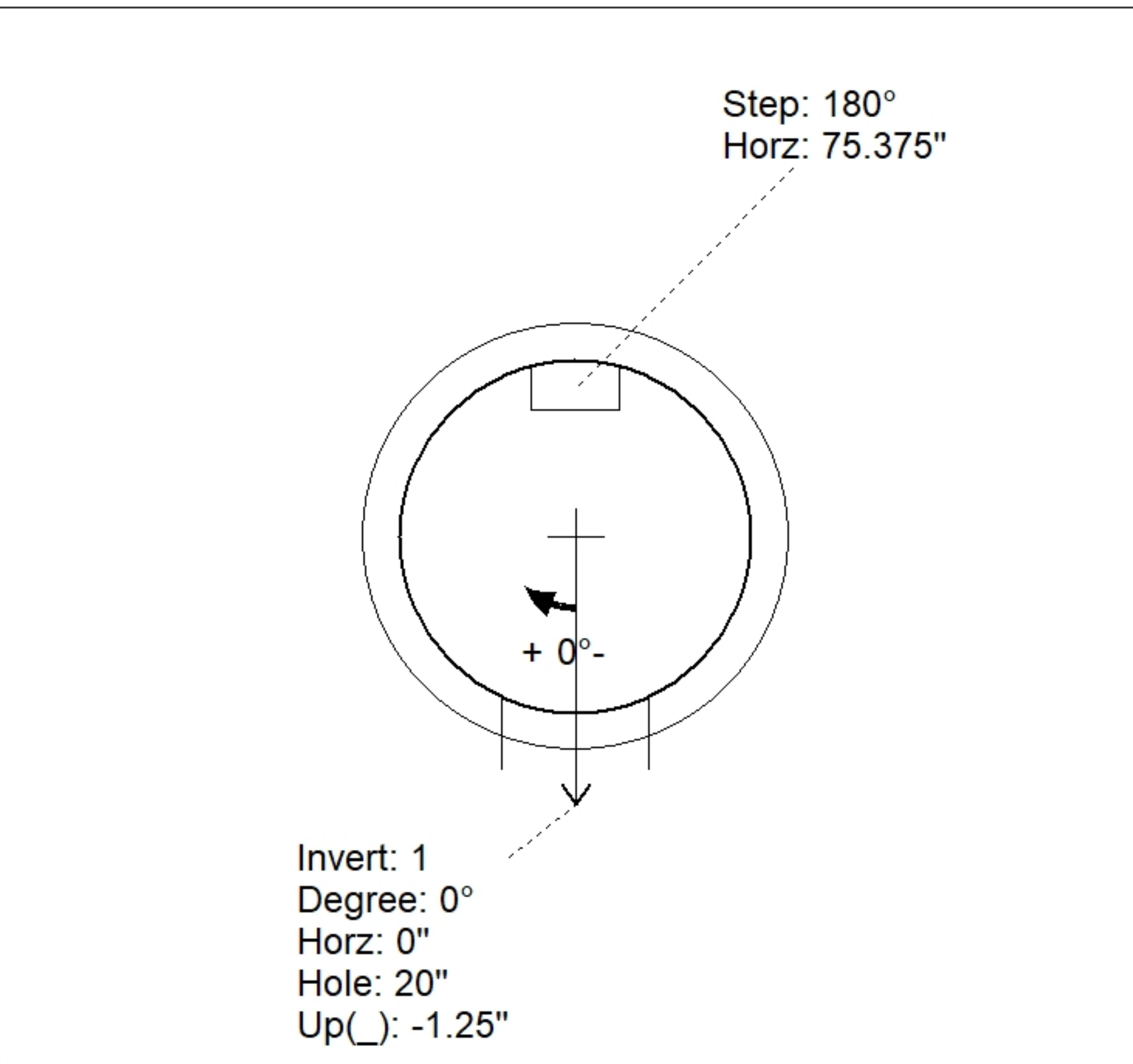
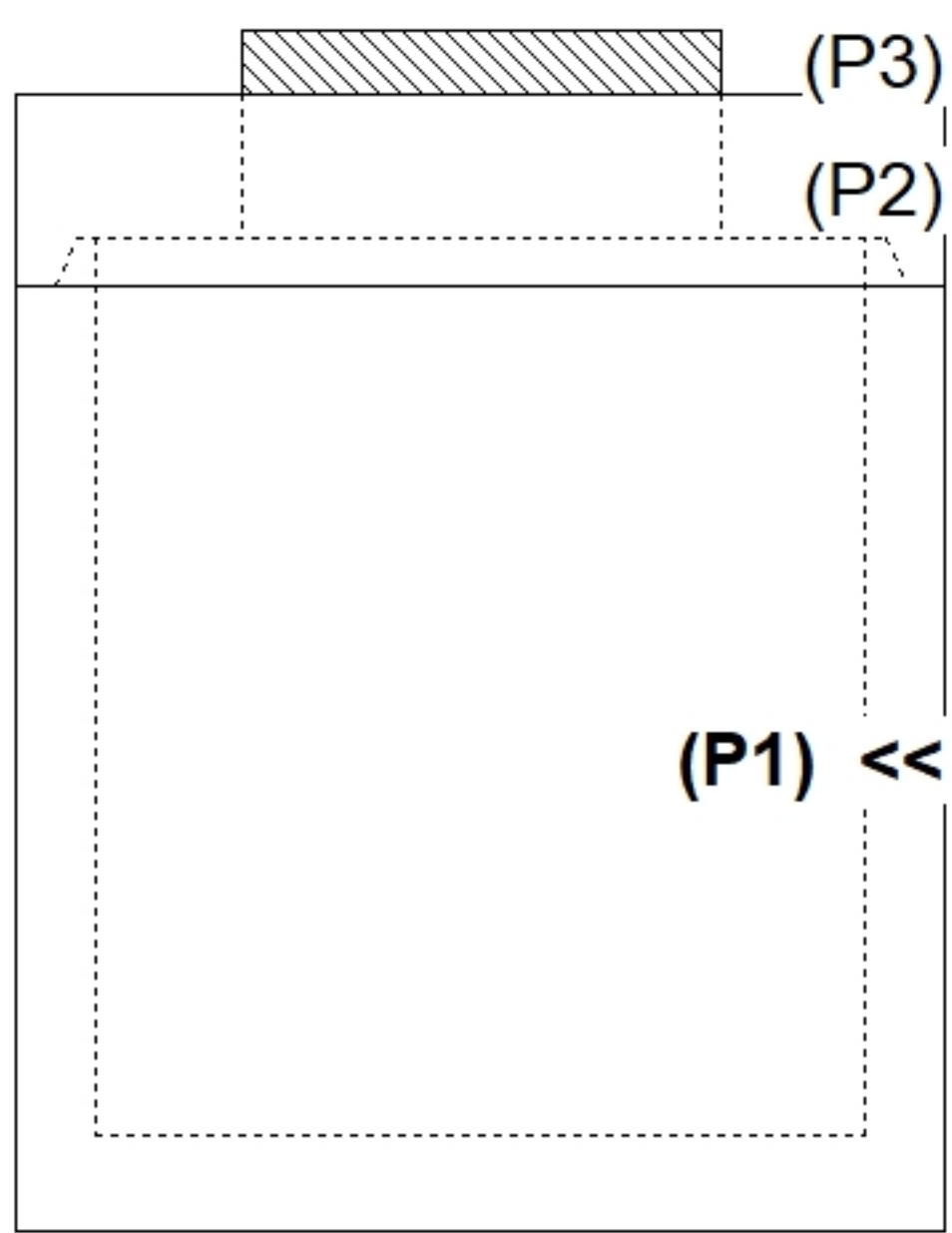
Structure Total: 6736 lb

Rim: 532.64' Rim to Invert: 5.76' Slack: 0.12" Sump: 0" Step Position: 180°

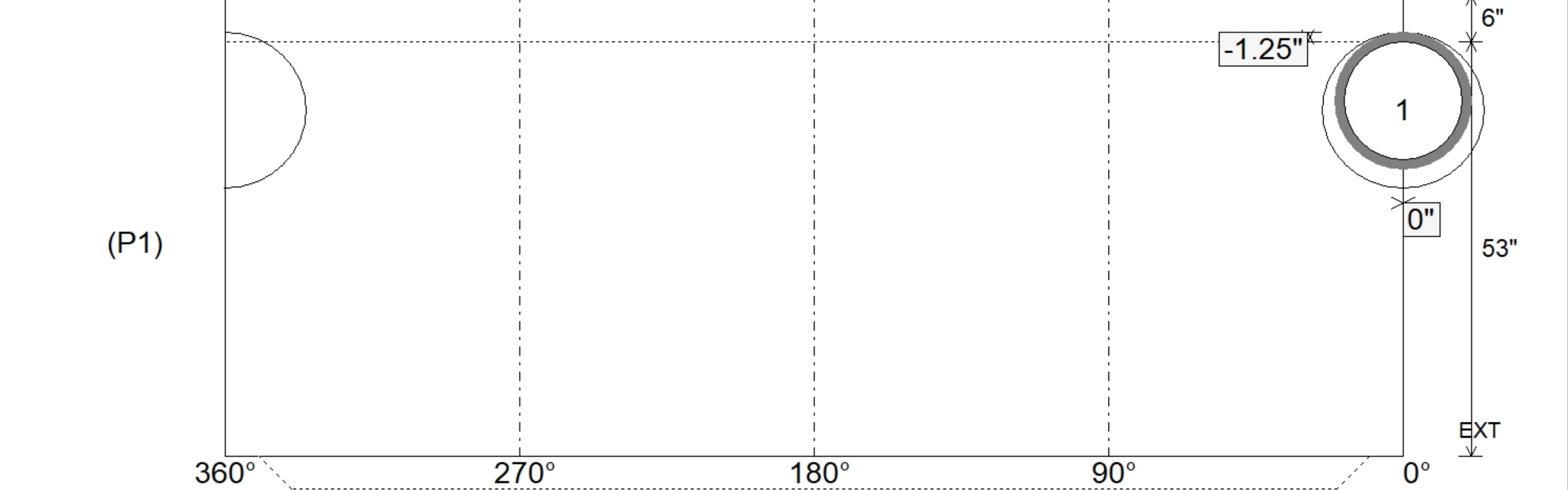
Position	Elev	Angle	Ext. (cw)	Pipe	Pipe OD	Connector	Hole	Horz Size	Up ()	Offset
Invert 1	526.88'	0°	0"	15" HDPE	17.6"	Hole 20	20"	20.629"	-1.25"	0"
Invert 2										
Invert 3										
Invert 4										
Invert 5										
Invert 6										
Invert 7										
Invert 8										

RIGHT-SIDE UP VIEW (int. dimensions)

UPSIDE-DOWN VIEW (int. dimensions)



INSIDE WALL DIMENSIONS



Coating (Int): Coating (Ext):	Seam Up: Tongue Seam Dn: n/a	Wall Thickness: 5" Floor Height: 6"	Height (Int): 53" Height (Ext): 59"	Weight (Net): 4897 lb Volume (Net): 1.25cu.yd
----------------------------------	---------------------------------	--	--	--